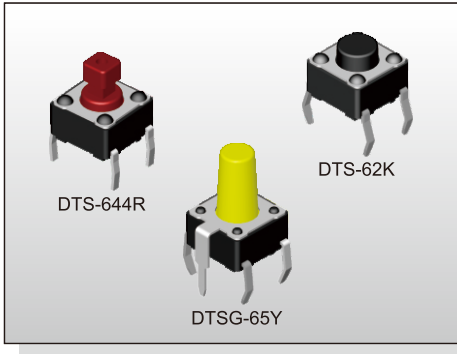


# TACT SWITCH DTS(G)-6 SERIES

## 6x6 Through Hole & Ground Terminal Type



### FEATURES

- ※ Compact size 6x6mm
- ※ Sharp tactile feeling
- ※ Cap options

### APPLICATION

- ※ Audio, OA equipment
- ※ Instrumentation
- ※ Industrial

### SPECIFICATION

Contact Rating	50mA, 12V DC
Contact Resistance	100mΩ max.
Insulation Resistance	100MΩ min. 500V DC
Dielectric Strength	250V AC/1 minute
Operating Force	70±30gf, Blue(U) 100±50gf, Black(K) 160±50gf, Brown(N) 260±50gf, Red(R) 320±80gf, Salmon(S) 520±130gf, Yellow(Y)
Travel	0.25mm
Operating Life	Phosphor Bronze Dome 50,000 cycles for 520/320gf 100,000 cycles for 260gf 200,000 cycles for 160/100/70gf
	Stainless Steel Dome 300,000 cycles for 520/320gf 500,000 cycles for 260gf 1,000,000 cycles for 160/100/70gf
Operating Temp.	-25°C ~ +70°C
Storage Temp.	-30°C ~ +80°C

### HOW TO ORDER

**D T S**  - 6  -  -  -  -

=Without Ground Pin  
G=With Ground Pin

Height:  
1=4.30mm  
2=5.00mm  
3=7.00mm  
44=7.30mm (SQ.)x2.40mm  
48=7.30mm (SQ.)x2.80mm  
5=9.50mm  
6=13.00mm  
8=11.30mm  
9=19.50mm

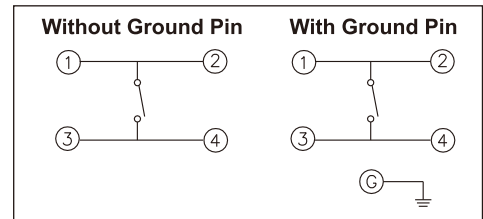
Package:  
=Bulk pack  
▲B=Tube  
(▲DTS-61, 62 Only)

V=RoHS & Lead Free Solderable  
Q=Halogen Free

=Phosphor Bronze Dome  
S=Stainless Steel Dome

Operating Force:  
U=Blue, 70gf  
K=Black, 100gf  
N=Brown, 160gf  
R=Red, 260gf  
S=Salmon, 320gf  
Y=Yellow, 520gf

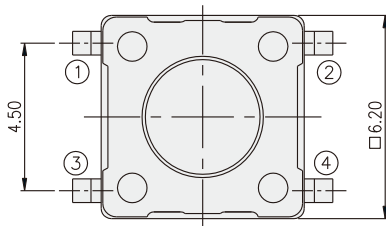
### CIRCUIT



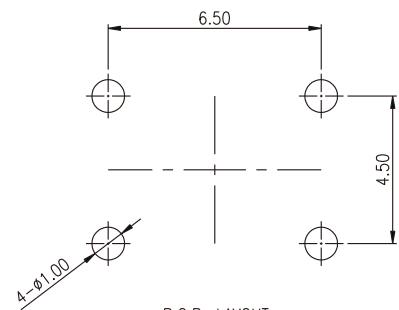
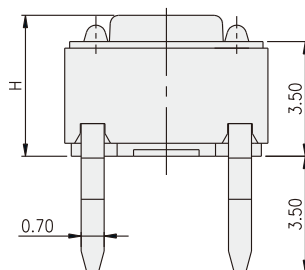
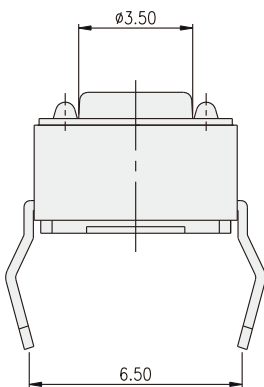
### PACKAGE

<Bag>  
1000 pcs  
<Tub>  
DTS-61/62: 75 pcs

### DTS-6

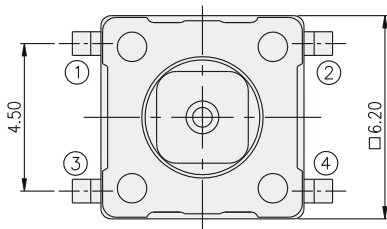


PART NO.	H
DTS-61	4.30
DTS-62	5.00
DTS-63	7.00
DTS-65	9.50
DTS-66	13.00
DTS-68	11.30
DTS-69	19.50

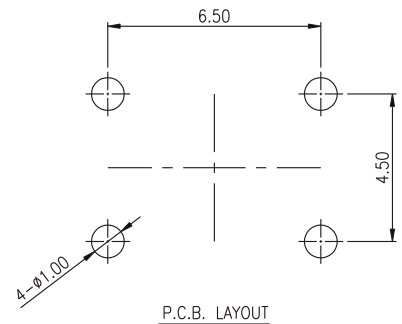
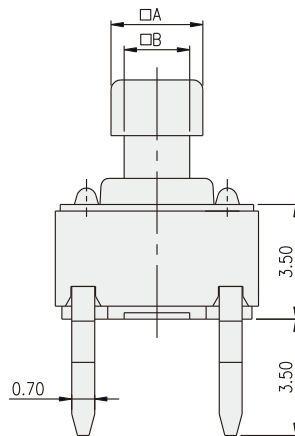
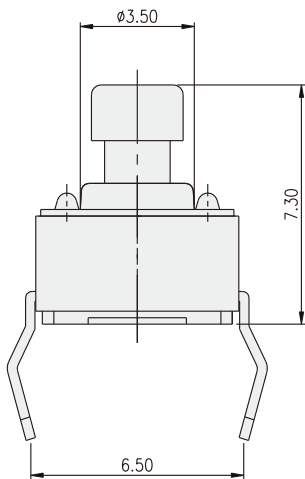


P.C.B. LAYOUT

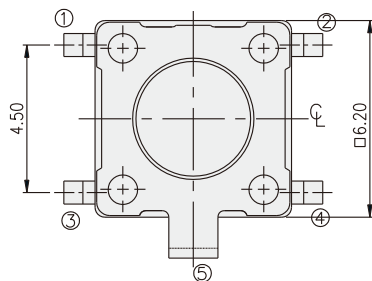
**DTS-644(8)**



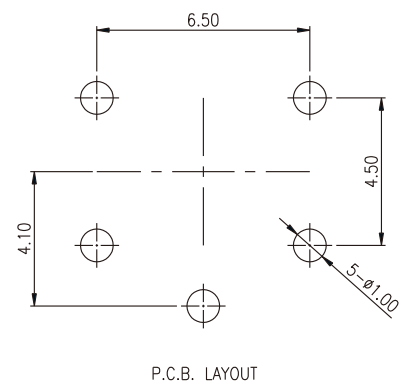
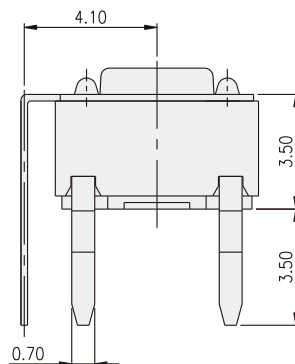
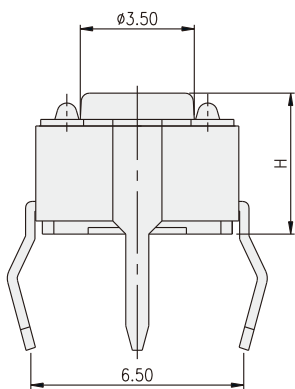
PART NO.	□A	□B
DTS-644	2.40	1.60
DTS-648	2.80	2.00



**DTSG-6**



PART NO.	H
DTSG-61	4.30
DTSG-62	5.00
DTSG-63	7.00
DTSG-65	9.50
DTSG-66	13.00
DTSG-68	11.30
DTSG-69	19.50



TACT SWITCH