



■ Features :

- Protections: Short circuit / Overload / Over voltage
- Cooling by free air convection
- LED indicator for power on
- 100% full load burn-in test
- 2 years warranty

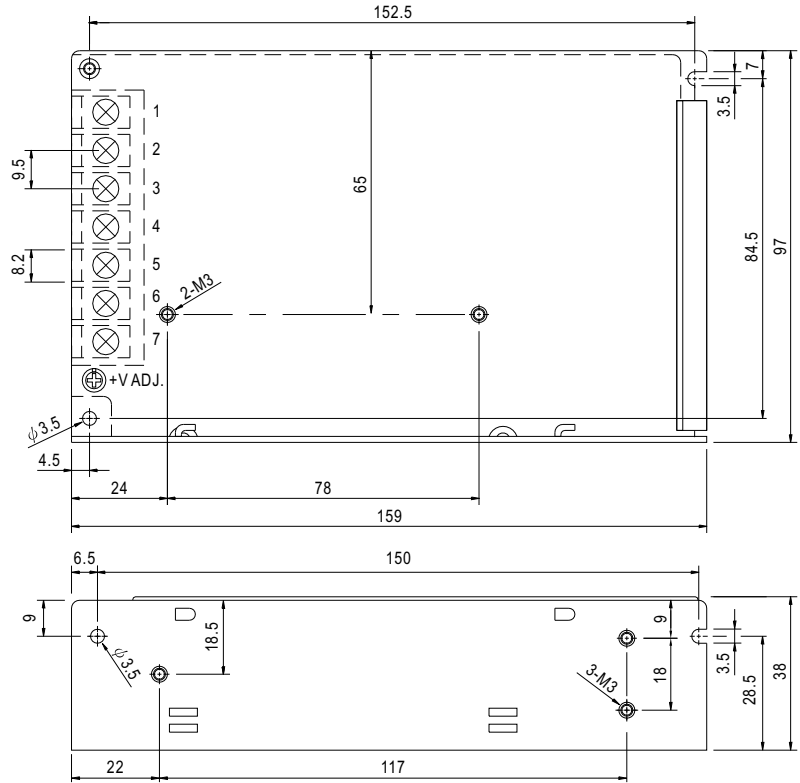


SPECIFICATION

| MODEL                 | NES-100-5   | NES-100-7.5   | NES-100-9   | NES-100-12   | NES-100-15   | NES-100-24     | NES-100-48   |              |
|-----------------------|---|---|-------------|--------------|--------------|----------------|--------------|--------------|
| OUTPUT                | DC VOLTAGE  | 5V  | 7.5V        | 9V           | 12V          | 15V            | 24V          | 48V          |
|                       | RATED CURRENT   | 20A   | 13.6A       | 11.2A        | 8.5A         | 7A             | 4.5A         | 2.3A         |
|                       | CURRENT RANGE   | 0 ~ 20A   | 0 ~ 13.6A   | 0 ~ 11.2A    | 0 ~ 8.5A     | 0 ~ 7A         | 0 ~ 4.5A     | 0 ~ 2.3A     |
|                       | RATED POWER   | 100W  | 102W        | 100.8W       | 102W         | 105W           | 108W         | 110.4W       |
|                       | RIPPLE & NOISE (max.) Note.2  | 80mVp-p   | 120mVp-p    | 120mVp-p     | 120mVp-p     | 120mVp-p       | 120mVp-p     | 150mVp-p     |
|                       | VOLTAGE ADJ. RANGE  | 4.75 ~ 5.5V   | 7.13 ~ 8.3V | 8.55 ~ 9.9V  | 11.4 ~ 13.2V | 14.25 ~ 16.5V  | 22.8 ~ 26.4V | 45.6 ~ 52.8V |
|                       | VOLTAGE TOLERANCE Note.3  | ±2.0%   | ±1.0%       | ±1.0%        | ±1.0%        | ±1.0%          | ±1.0%        | ±1.0%        |
|                       | LINE REGULATION Note.4  | ±0.5%   | ±0.5%       | ±0.5%        | ±0.5%        | ±0.5%          | ±0.5%        | ±0.5%        |
|                       | LOAD REGULATION Note.5  | ±0.5%   | ±0.5%       | ±0.5%        | ±0.5%        | ±0.5%          | ±0.5%        | ±0.5%        |
|                       | SETUP, RISE TIME  | 500ms, 20ms/230VAC      500ms, 20ms/115VAC at full load   |             |              |              |                |              |              |
| HOLD UP TIME (Typ.)   | 30ms/230VAC      25ms/115VAC at full load   |   |             |              |              |                |              |              |
| INPUT                 | VOLTAGE RANGE   | 85 ~ 132VAC / 176 ~ 264VAC selected by switch   |             |              | 248 ~ 373VDC |                |              |              |
|                       | FREQUENCY RANGE   | 47 ~ 63Hz   |             |              |              |                |              |              |
|                       | EFFICIENCY (Typ.)   | 80%   | 81%         | 81%          | 83%          | 84%            | 86%          | 86%          |
|                       | AC CURRENT (Typ.)   | 2A/115VAC   |             | 1.2A/230VAC  |              |                |              |              |
|                       | INRUSH CURRENT (Typ.)   | COLD START 36A  |             |              |              |                |              |              |
|                       | LEAKAGE CURRENT   | <2mA/ 240VAC  |             |              |              |                |              |              |
| PROTECTION            | OVERLOAD  | 110 ~ 150% rated output power<br>Protection type : Hiccup mode, recovers automatically after fault condition is removed |             |              |              |                |              |              |
|                       | OVER VOLTAGE  | 5.75 ~ 6.75V  | 8.6 ~ 10.1V | 10.4 ~ 12.2V | 13.8 ~ 16.2V | 17.25 ~ 20.25V | 27.6 ~ 32.4V | 55.2 ~ 64.8V |
| ENVIRONMENT           | WORKING TEMP.   | -20 ~ +60°C (Refer to "Derating Curve")   |             |              |              |                |              |              |
|                       | WORKING HUMIDITY  | 20 ~ 90% RH non-condensing  |             |              |              |                |              |              |
|                       | STORAGE TEMP., HUMIDITY   | -40 ~ +85°C, 10 ~ 95% RH  |             |              |              |                |              |              |
|                       | TEMP. COEFFICIENT   | ±0.03%/°C (0 ~ 50°C)  |             |              |              |                |              |              |
|                       | VIBRATION   | 10 ~ 500Hz, 2G 10min./1cycle, period for 60min. each along X, Y, Z axes   |             |              |              |                |              |              |
| SAFETY & EMC (Note 6) | SAFETY STANDARDS  | UL60950-1, CB(IEC60950-1),CCC GB4943 approved   |             |              |              |                |              |              |
|                       | WITHSTAND VOLTAGE   | I/P-O/P:3KVAC    I/P-FG:1.5KVAC    O/P-FG:0.5KVAC   |             |              |              |                |              |              |
|                       | ISOLATION RESISTANCE  | I/P-O/P, I/P-FG, O/P-FG:100M Ohms / 500VDC / 25°C / 70% RH  |             |              |              |                |              |              |
|                       | EMC EMISSION  | Compliance to EN55022 (CISPR22) Class B, EN61000-3-2,-3   |             |              |              |                |              |              |
| OTHERS                | EMC IMMUNITY  | Compliance to EN61000-4-2,3,4,5,6,8,11, EN55024, EN61000-6-1, light industry level, criteria A                          |             |              |              |                |              |              |
|                       | MTBF  | 320.7Khrs min.    MIL-HDBK-217F (25°C)  |             |              |              |                |              |              |
|                       | DIMENSION   | 159*97*38mm (L*W*H)   |             |              |              |                |              |              |
|                       | PACKING   | 0.55Kg; 30pcs/17.5Kg/0.97CUFT   |             |              |              |                |              |              |
| NOTE                  | <p>1. All parameters not specially mentioned are measured at 230VAC input, rated load and 25°C of ambient temperature.</p> <p>2. Ripple &amp; noise are measured at 20MHz of bandwidth by using a 12" twisted pair-wire terminated with a 0.1uf &amp; 47uf parallel capacitor.</p> <p>3. Tolerance : includes set up tolerance, line regulation and load regulation.</p> <p>4. Line regulation is measured from low line to high line at rated load.</p> <p>5. Load regulation is measured from 0% to 100% rated load.</p> <p>6. The power supply is considered a component which will be installed into a final equipment. The final equipment must be re-confirmed that it still meets EMC directives. For guidance on how to perform these EMC tests, please refer to "EMI testing of component power supplies." (as available on <a href="http://www.meanwell.com">http://www.meanwell.com</a>)</p> |   |             |              |              |                |              |              |

**Mechanical Specification**

Case No. 901 Unit:mm

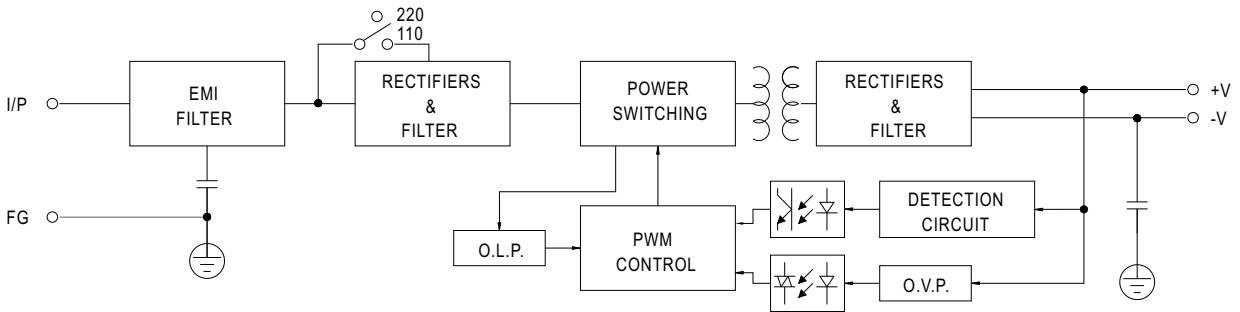


Terminal Pin No. Assignment

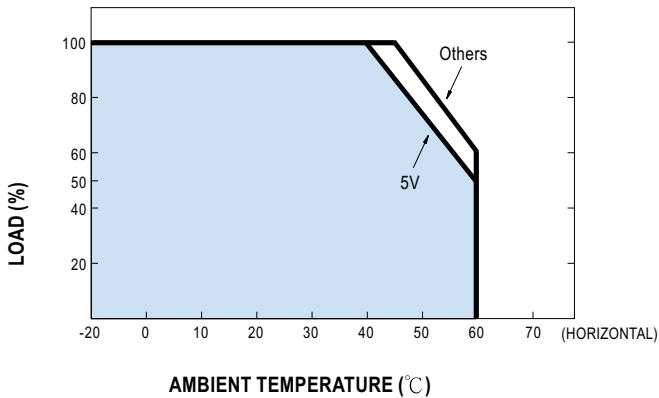
| Pin No. | Assignment | Pin No. | Assignment   |
|---------|------------|---------|--------------|
| 1       | AC/L       | 4,5     | DC OUTPUT -V |
| 2       | AC/N       | 6,7     | DC OUTPUT +V |
| 3       | FG $\perp$ |         |              |

**Block Diagram**

fosc : 60KHz



**Derating Curve**



**Static Characteristics**

