

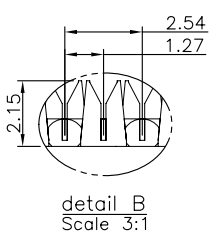
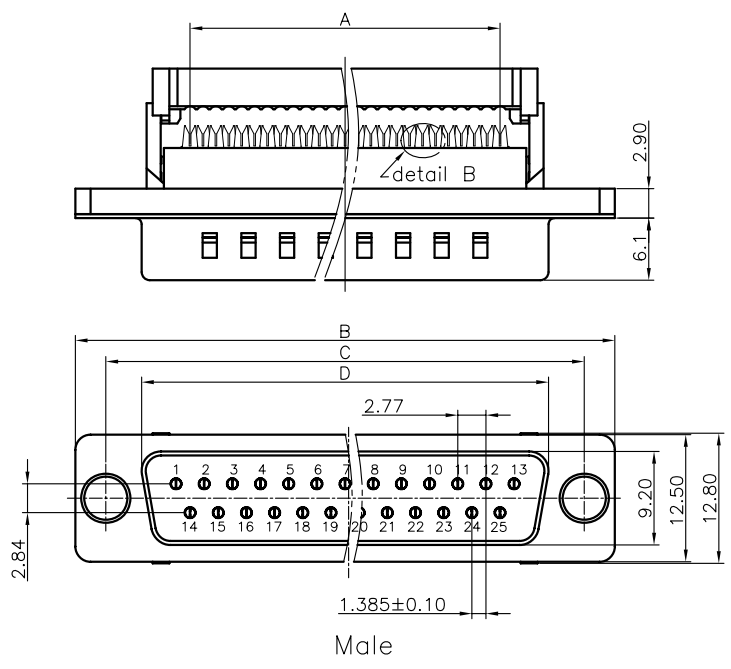
REV.	DESCRIPTION	DRAWN	CHECKED	APPROVED

- NOTES:
- ELECTRICAL CHARACTERISTICS:
    - CONTACT RESISTANCE: 30mΩ Max.INITIAL.
    - DIELECTRIC WITHSTANDING VOLTAGE:500V AC(rms) FOR 1 MINUTE.
    - INSULATION RESISTANCE:1000MΩ Min.
  - MECHANICAL CHARACTERISTICS:
    - DURABILITY: 300 CYCLES.
  - ENVIRONMENT CHARACTERISTICS:
    - OPERATING TEMPERATURE:0°C~+85°C.
    - STORAGE TEMPERATURE:-20°C~+70°C.

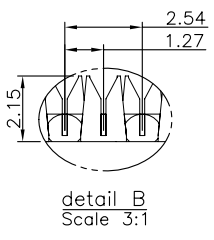
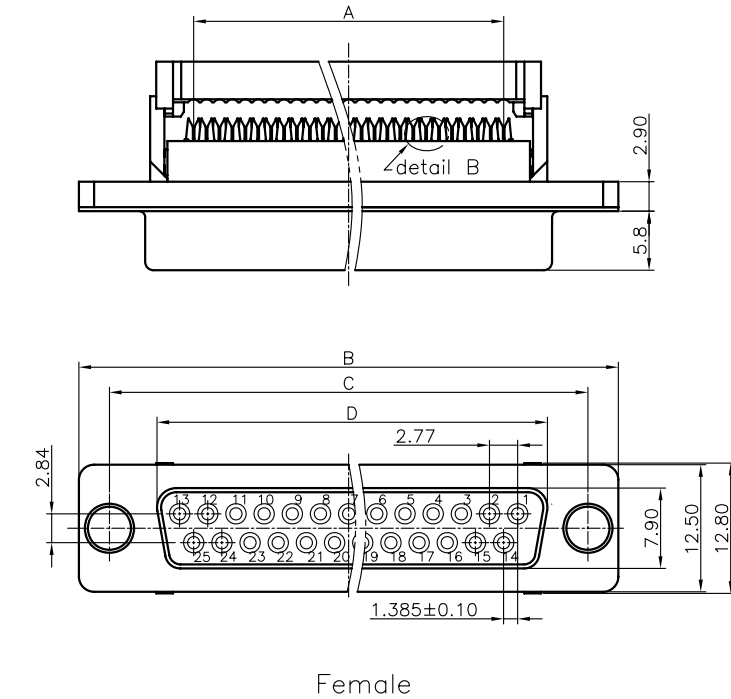
4. PRODUCT NUMBER CODE:  
 DS1036 - XX X X X X X

- X: RIVET TYPE
- P:W/ SCREW(UNC #4-40)
- N:W/O SEREW
- CONTACT PLATING
- O: SELECTIVE GOLD FLASH
- HOUSING COLOR
- U:BLUE
- B:BLACK
- STRAIN RELIEF
- P:W/
- N:W/O
- CONNECTOR TYPE
- M:MALE
- F:FEMALE
- No.OF CONTACTS
- 09:9pos
- 15:15pos
- 25:25pos
- 37:37pos

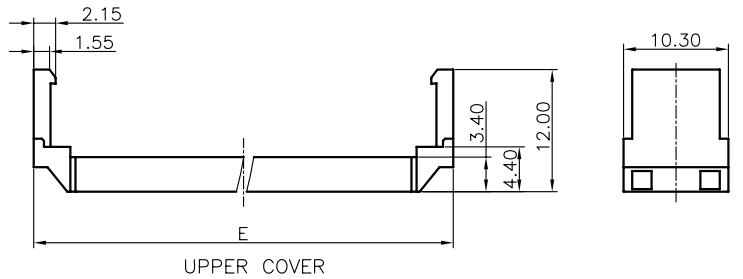
Position	D±0.2			E±0.2	
	A±0.1	B±0.2	C±0.2	Male	Female
9P	10.16	30.80	24.99	17.90	16.33
15P	17.78	39.14	33.32	26.50	24.66
25P	30.48	53.04	47.04	40.00	38.38
37P	45.72	69.32	63.50	56.50	54.84



Male



Female



UPPER COVER

GENERAL TOLERANCE		ANGLE TOLERANCE		PROJECTION		TITLE	I.D.C D-SUB	
X.	±0.60	X.	±3°	UNITS	mm	SHEET SIZE	A4	
.X	±0.38	.X	±2°	SHEET SIZE		SERIES	DS1036 SERIES	
.XX	±0.25	.XX	±1°	DI-15F, DI-15M, DI-25F, DI-25M, DI-37F, DI-37M, DI-9F, DI-9M				
DRAWING TYPE		CUSTOMER						
SCALE		1:1	SHEET		1 OF 1			
DRAWING NO.		C-DS1036-XXXXXXX						