

## Installation Instructions for the SS41 Series Low Gauss Bipolar Hall Effect Position Sensors

ISSUE 2  
PK 88781

### ELECTRICAL CHARACTERISTICS

Catalog Listing SS41/SS41D	Min.	Typ.	Max.	Remarks
Supply Voltage	4.5		24	VDC
Supply Current		4 mA 6 mA	8.7 mA 15 mA	Vs = 4.5 VDC Vs = 6 to 24 VDC
Output Voltage (Operated)		0.15 V 0.15 V	0.40 V 0.45 V	-40 to +125°C +125 to +150°C
Output Current (Operated)			10 mA	
Output Leakage Current (Released)			10 µA	Leakage into sensor output
Output Switching Time				
Rise		0.2 µs	1.5 µs	10 to 90%
Fall		0.5 µs	1.0 µs	90 to 10%

### MAGNETIC CHARACTERISTICS

Temperature	Gauss		
Range	Max. Op.	Min. Rel.	Min. Dif.
0 to 85°C	150	-150	50
-40 to 125°C	200	-200	40
-55 to 150°C	250	-250	30
25°C Typical	40	-40	80

### ABSOLUTE MAXIMUM RATINGS

Supply Voltage (Vs)	-24 to +28 VDC
Voltage externally applied to output	+28 VDC max, OFF condition only -0.5 V min., OFF or ON condition
Output Current	20 mA
Temperature Range	-55 to +170°C (-67 to +338°F)
Magnetic Flux	No limit. Circuit cannot be damaged by magnetic overdrive

### SOLDERING/ASSEMBLY INSTRUCTIONS

Leads must be adequately supported during any forming or shearing operation to ensure that the leads are not stressed inside the plastic case. Recommended PC board wave soldering temperature is 250 to 260°C (482 to 500°F), with a duration of 3 seconds maximum.

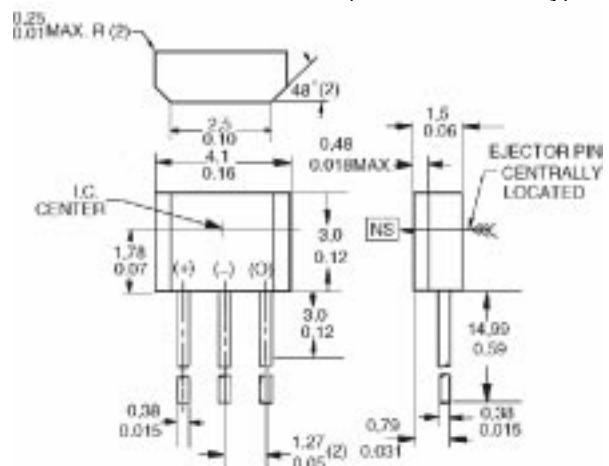
### CATALOG LISTING

Catalog Listing	Output	Magnetic Type
SS41	Digital current sinking Reverse polarity protection is standard	Bipolar

### NOTICE

Absolute maximum ratings are the extreme limits that the device will withstand without damage to the device. However, the electrical and mechanical characteristics are not guaranteed as the maximum limits (above recommended operating conditions) are approached, nor will the device necessarily operate at absolute maximum ratings.

### MOUNTING DIMENSIONS (for reference only)

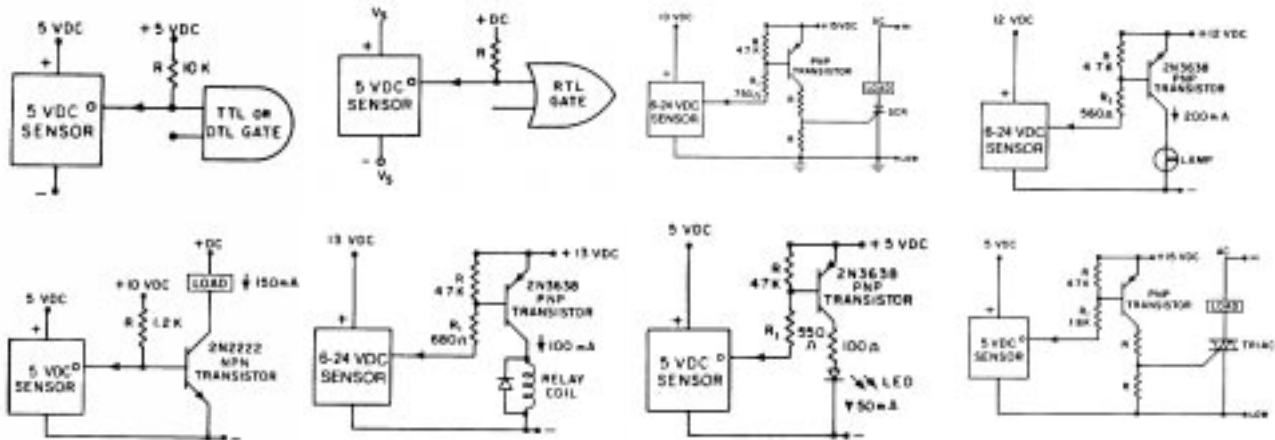


### WARNING

These products are **NOT** suitable for protection against personal injury.

To **AVOID** personal injury or death, **DO NOT USE** these products as emergency stop or safety devices, or in any other application where human safety is at risk.

## INTERFACING DIAGRAMS



## WARRANTY/REMEDY

Honeywell warrants goods of its manufacture as being free of defective materials and faulty workmanship. Contact your local sales office for warranty information. If warranted goods are returned to Honeywell during the period of coverage, Honeywell will repair or replace without charge those items it finds defective. The foregoing is Buyer's sole remedy and is **in lieu of all other warranties, expressed or implied, including those of merchantability and fitness for a particular purpose.**

For application assistance, current specifications, pricing or name of the nearest Authorized Distributor, contact a nearby sales office. Or call:

1-800-537-6945 USA  
 1-800-737-3360 Canada  
 1-815-235-6847 International

## FAX

1-815-235-6545 USA

## INTERNET

<http://www.sensing.honeywell.com>  
[info@micro.honeywell.com](mailto:info@micro.honeywell.com)

Specifications may change without notice. The information we supply is believed to be accurate and reliable as of this printing. However, we assume no responsibility for its use.

While we provide application assistance, personally and through our literature, it is up to the customer to determine the suitability of the product in the application.

# Honeywell

*Helping You Control Your World*

## MICRO SWITCH

Honeywell Inc.  
 11 West Spring Street  
 Freeport, Illinois 61032



Printed with Soy Ink  
 on 50% Recycled Paper