

# 16mm Metal Shaft Rotary Potentiometer

**R16K2**

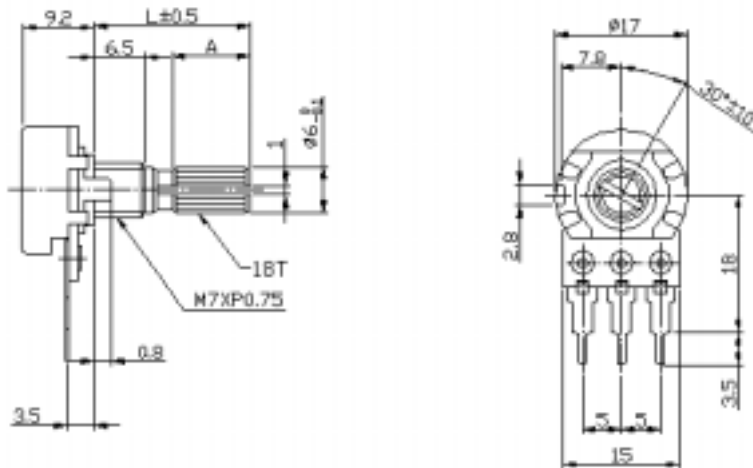


## Part Number

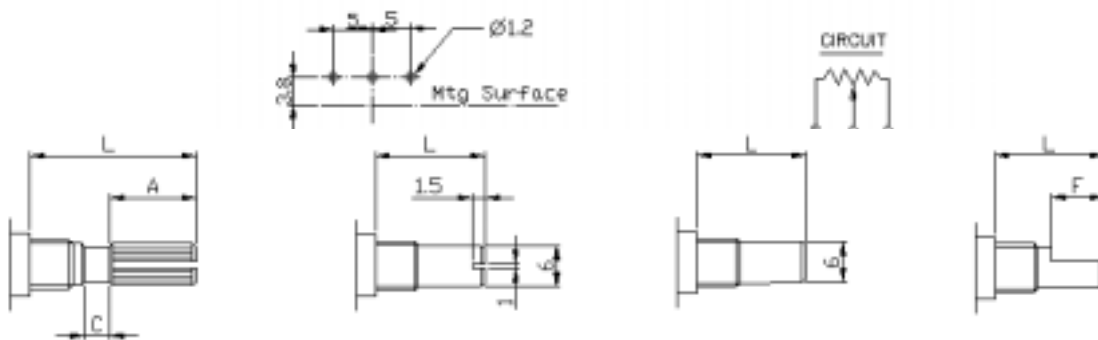
**R16K2 -** **B** **50K**, **L - 20** **KC**

↓ Taper      ↓ Resistance Value      ↓ Shaft Length      ↓ Shaft Type

## Dimensions



## Shaft

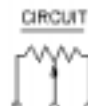


N:5m/m

SHAFT-TYPE	L	10	15	20	25	30	35	40
KC	A	3.2	6	10	12	12	12	12
	C	0.5	1	2	2	4	4	4
F	F	4	7	12	12	12	12	12
R,RE	L	10	15	20	25	30	35	40

N:6.5m/m

SHAFT-TYPE	L	10	15	20	25	30	35	40
KC	A	2.2	6	10	12	12	12	12
	C	0.5	1	2	2	4	4	4
F	F	2.5	7	12	12	12	12	12
R,RE	L	10	15	20	25	30	35	40



# 16mm Metal Shaft Rotary Potentiometer

## Electrical Characteristics

Total Resistance	500 ~ 2M				
Total Resistance Tolerance	± 20%				
Resistance Taper	A. B. C. D. W. Taper				
Resistance Taper Characteristics	A50%	B50%	C50%	D50%	W50%
	15-25%	40-60%	75-85%	2-15%	45-55%
Rated Power	B Taper: 0.2 W; Other Tapers: 0.1 W				
Max. Operating Voltage	B Taper: AC150V; Other Tapers: AC200V				
Residual Resistance	R ≥ 250K 0.1%				
	250K > R > 10K	10 Max. ( between Term. 1, 2)			
	10K ≥ R	10 Max. ( between Term. 1, 2)			
Noise	47 mV max.				
Insulation Resistance	DC 500V 100M				
Withstand Voltage	1 minute AC 500V				
Rotary Life	15,000 Cycles				

## Mechanical Characteristics

Total Rotational Angle	300° ± 5°
Stopper Strength	8kgf.cm max./3 minute.
Rotational Torque	30~200gf.cm
Pull-Push Strength	10 kgf.cm max./3 minute.
Center Click Torque	150~350g.cm
Solder Heat Resistance	300 ,3s (Only For Hand-Soldering)
Remark	Shaft: Cast Iron (Aluminum Zinc)
	Bushing Material: cast iron