



DC Power Plug Series

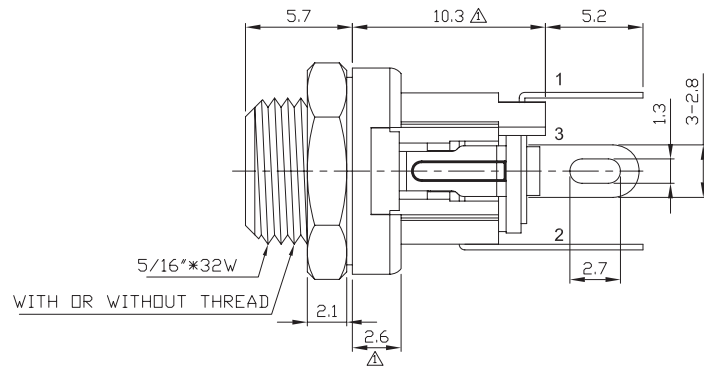
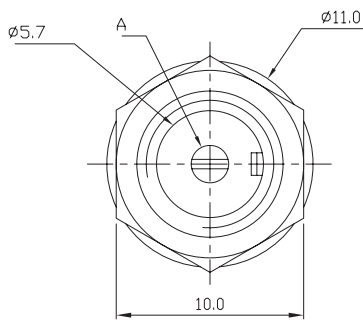
KLS1-DC-025B (DC Power Socket)

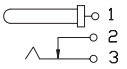
Technical parameters:

Contact resistance: 0.03Ω, max
 Insulation resistance: 100MΩ, min
 Pressure: AC500V (50Hz) / 1minute
 Rated Load: DC 30V 1A
 Actuating Force: 3~20N
 Life: 5000 times
 Operating Temperature: -30°C ~ 70°C

Material:

Centre Pin : Copper, Nickel Plated
 Terminal 1 : Brass, Tin Plated
 Terminal 3 : Bronze, Tin Plated
 Terminal 2 : Brass, Tin Plated
 Housing : PBT or PA66
 Cover : PBT



MODEL NO.	DC-025B
SCHEMATIC	
CENTER PIN	∅ 2.0mm
	∅ 2.5mm

9	WASHER	1	BRASS	NICKEL	
8	NUT	1	BRASS	NICKEL	
7	HOUSING	1	PA66		BLACK
6	INSULATOR	2	PAPER SHEET		RED
5	PIN	1	COPPER	NICKEL	
4	BUSHING	1	BRASS	NICKEL	
3	PIN TERMINAL	1	BRASS	SILVER	
2	BREAK TERMINAL	1	BRASS	SILVER	
1	SLEEVE SPRING	1	P.B.S	SILVER	
NO	PART NAME	Q'TY	MATERIAL	PLATED	REMARK

ORDER INFORMATION

Product NO.: KLS1-DC-025B-2.0

