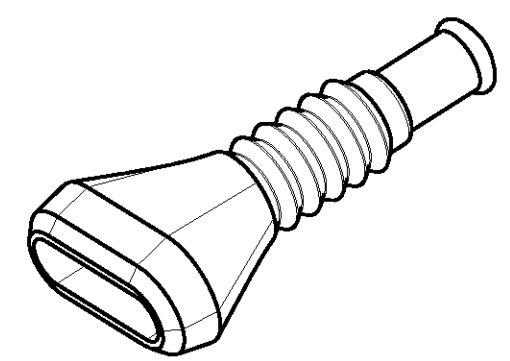
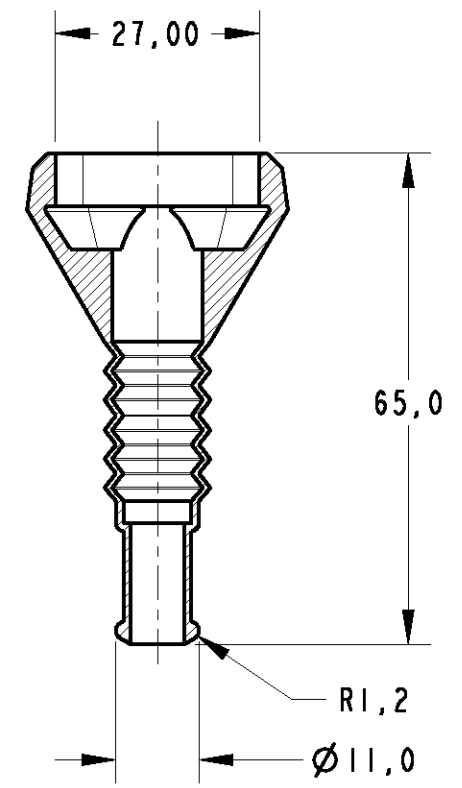
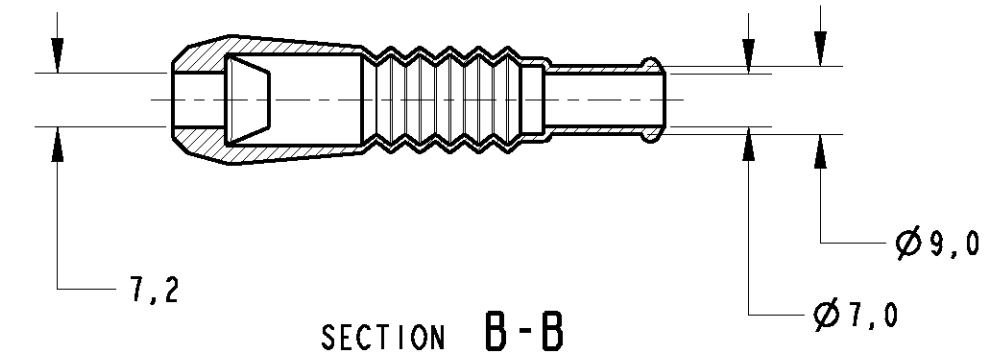
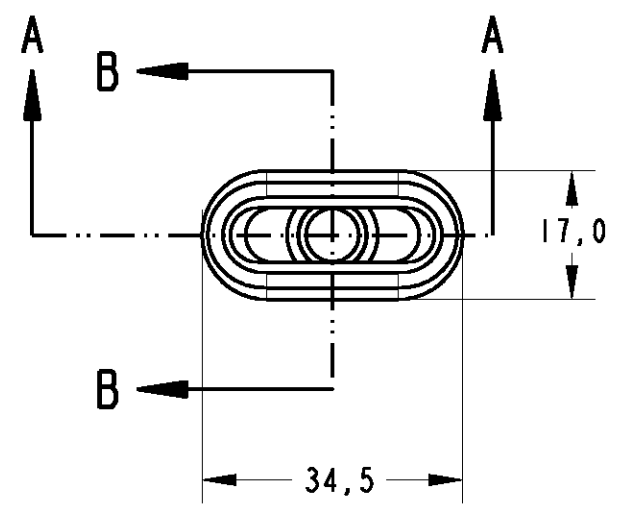


THIS DRAWING IS UNPUBLISHED. RELEASED FOR PUBLICATION
 © COPYRIGHT BY ALL RIGHTS RESERVED.

| LOC | DIST | REVISIONS | | | |
|-----|------|-------------|---------------------------|---------|--------|
| P | LTR | DESCRIPTION | DATE | DWN | APVD |
| AP | - | A1 | REVISED PER ECO-11-005139 | 19MAR11 | RK HMR |

CAD
 DO NOT REVISE
 EXCEPT BY CAD



PERSPECTIVE VIEW

- Ⓐ 1 - ELASTÔMERO SAE J 200 M 2BC 514, A14, B14, C12, E014, F17
 - ELASTOMER SAE J 200 M 2BC 521, A14, B14, C12, E014, F17
- Ⓐ 2 - TOLERÂNCIA PARA REBARBAS / FLASH TOLERANCE:
 COMPRIMENTO EXTERNO / OUTSIDE HEIGHT - 0,4mm MAX.
 COMPRIMENTO INTERNO / INSIDE HEIGHT - 0,05mm MAX.
- Ⓐ 3 - USADO NO CONECTOR 282106-1, OU SIMILAR
 - USED ON CONNECTOR 282106-1, OR SIMILAR

| | | | |
|---------------|-------------|----------|-------------|
| — | PRETO/BLACK | Ⓐ 1 | 493581-1 |
| RAW MAT'L NO. | FINISH | MATERIAL | PART NUMBER |

| | | | | | | |
|-----------------------|--|--|--|------------------------|---|---------------|
| DIMENSIONS: mm | | TOLERANCES UNLESS OTHERWISE SPECIFIED: 0 PLC ± 1 PLC ±0,5 2 PLC ± 3 PLC ± 4 PLC ± ANGLES ±1° | | DWN A. PERUSSI 03SEP98 | TE Connectivity BOOT 4 POSN HSG | |
| MATERIAL SEE TABLE | | FINISH SEE TABLE | | CHK P.L.FARIA | | NAME |
| | | | | APVD J.M.M.NETO | | RESTRICTED TO |
| | | | | PRODUCT SPEC - | SIZE A3 | |
| | | | | APPLICATION SPEC - | CAGE CODE 00779 | |
| | | | | WEIGHT - | DRAWING NO. 493581 | |
| | | | | CUSTOMER DRAWING | SCALE | |
| | | | | | SHEET OF | |
| | | | | | REV A1 | |