

# TRV

## MAIN FEATURES

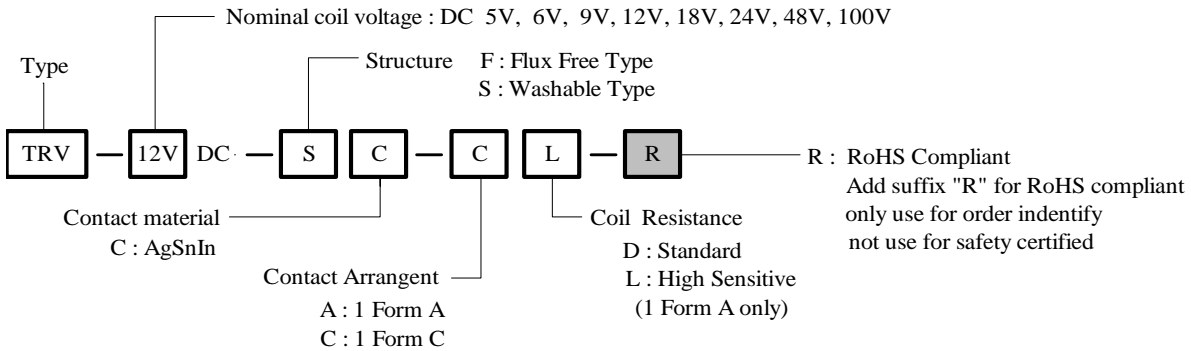
- High capacity type (16A) available.
- High sensitivity 0.2W (1 Form A).
- Flat type : L×W×H=16.5mm×22.2mm×11.2mm.
- UL、cUL and TUV recognized.



## APPLICATIONS

- Home appliances : Air conditioner, heater, etc.
- Automotive : Power supply for car stereo and air conditioner.

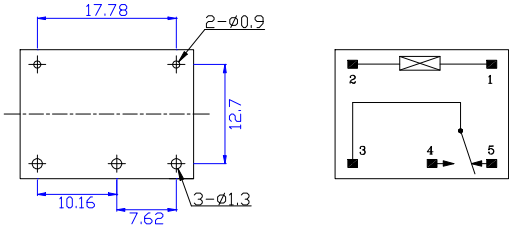
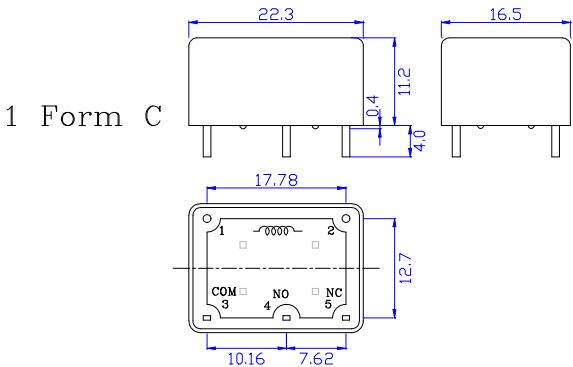
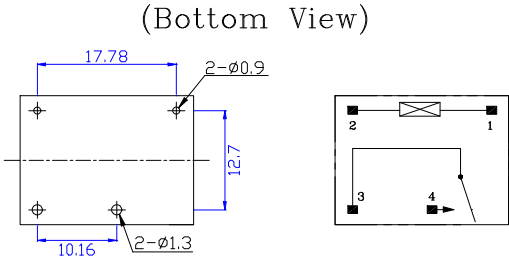
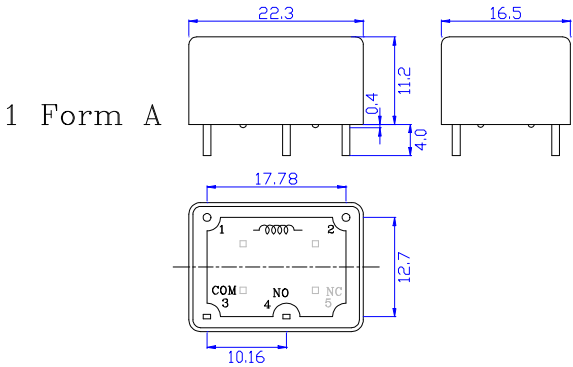
## ORDERING INFORMATION



## DIMENSION (unit:mm)

## DRILLING (unit:mm)

## WIRING DIAGRAM



## COIL DATA CHART (AT20°C)

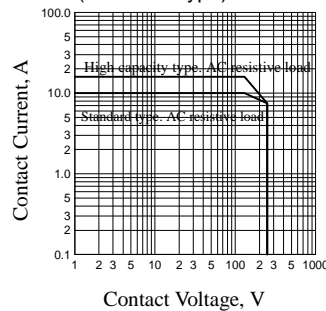
Coil Sensitivity	Nominal Coil Voltage (VDC)	Nominal Current (mA)	Coil Resistance ( $\Omega$ ) $\pm 10\%$	Power Consumption (W)	Pull-In Voltage (VDC)	Drop-Out Voltage (VDC)	Max-Allowable Voltage (VDC)
High Sensitivity (1 Form A only)	05	40	125	abt. 0.2W	80% Max.	5% Min.	130%
	06	33.3	180				
	09	22.2	405				
	12	16.7	720				
	18	11.1	1620				
	24	8.3	2880	0.25W			
Standard	05	90.1	55.5	abt. 0.45W	80% Max.	5% Min.	130%
	06	75.0	80				
	09	50.0	180				
	12	37.5	320				
	18	25.0	720				
	24	18.8	1280				
	48	9.4	5120	abt. 0.6W			
100	6.0	16600					

## CONTACT RATING

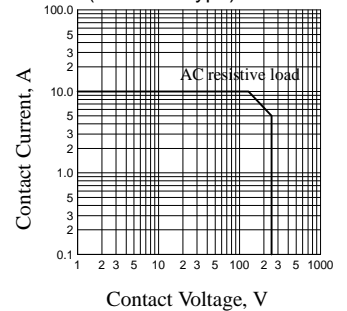
Item	Type	TRV	
	FORM A	N/O	N/C
Contact Capacity Resistive Load $\cos\phi=1$	16A 125VAC 16A 250VAC 16A 30VDC	16A 125VAC 16A 250VAC 16A 30VDC	15A 125VAC 15A 250VAC 12A 30VDC
Rated Carrying Current	16A	16A	12A
Max. Allowable Voltage	250VAC, 100VDC		
Max. Allowable Current	16A	16A	12A
Max. Allowable Power Force	2000VA 480W	2000VA 480W	1875VA 360W
Referenced Min. Applicable Load	5VDC, 100mA		
Contact Material	Ag Alloy		

## REFERENCE DATA

### Maximum Value for Switching Capacity (1 Form A Type)



### (1 Form C type)

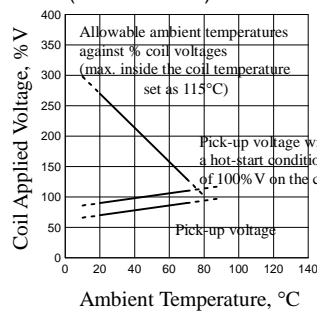


## PERFORMANCE (at initial value)

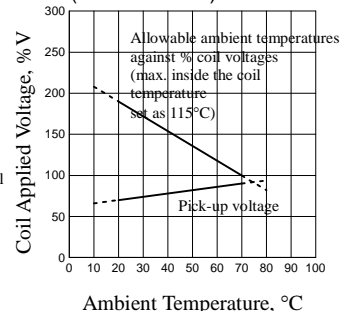
Item	Type	TRV
Contact Resistance		100m $\Omega$ Max. (6VDC 1A)
Operation Time		10msec Max.
Release Time		5msec Max.
Dielectric Strength Between coil & contact Between contacts		1500VAC 50/60Hz (1 minute) 750VAC
Insulation Resistance		100 M $\Omega$ Min. (500VDC)
Max. ON/OFF Switching Mechanically Electrically		300 operation/min 30 operation/min
Operating Ambient Temperature		-40°C to +70°C (No condensation)
Operating Humidity		45 to 80% RH
Coil Temperature Rise		30 deg. Max. (at rated coil voltage)
Vibration Endurance Error Operation		10 to 55Hz Double Amplitude 1.6mm 10 to 55Hz Double Amplitude 1.6mm
Shock Endurance Error Operation		100G Min. 10G Min.
Life Expectancy Mechanically Electrically		$5 \times 10^6$ $10 \times 10^4$
Weight		abt. 10grs.
UL & cUL		E156521
TUV		R50050856

### Ambient Temperature Characteristics

#### (1 Form A 10A)

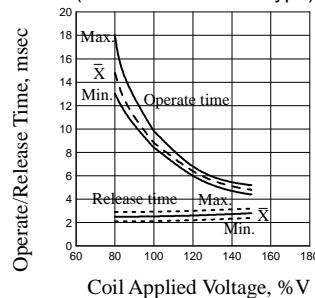


#### (1 Form C 10A)

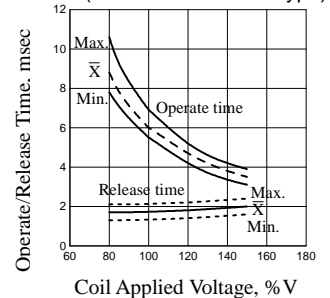


### Operate/Release Time

#### (Standard 1 Form A Type)



#### (Standard 1 Form C Type)



This datasheet for reference and subject to change without notice. Please double check final specification with Tai-Shing.