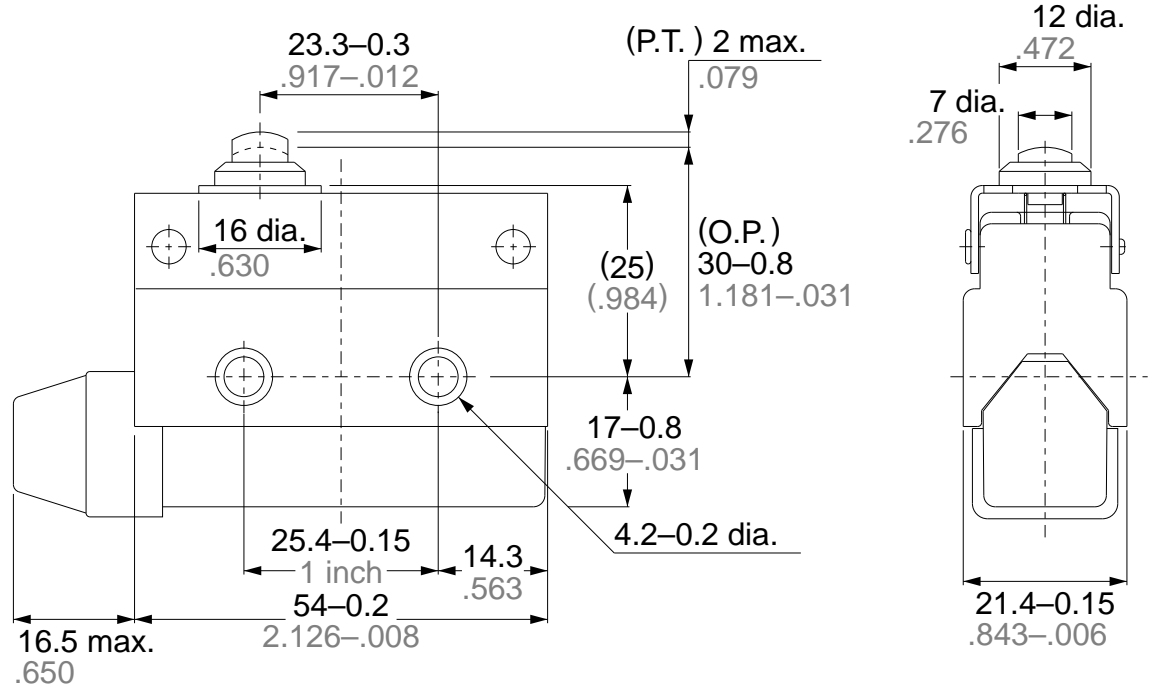


Short push plunger type

AZ7100



STANDARDS

Standards	Applicable product	Part No.
UL	File No. : E-122222 Ratings : 10A 250V AC Product type : Standard type only	Order by standard part No.
CSA	File No. : LR55880 Ratings : 10A 250V AC Product type : Standard type only	
TÜV	File No. : J9551204 Ratings : AC-15 2A/250V onwards Product type : Standard type only	

SPECIFICATIONS

1. Contact Rating

Rated control voltage	Load	Resistive load (cos φ=1)	Inductive load (cos φ=0.4)	Motor or lamp load	
				N.C. contact	N.O. contact
125V AC		10A	6A	3A	1.5A
250V AC		10A	4A	1.5A	1A
115V DC		0.4A	0.05A	—	—

2 Contact Characteristics

Contact arrangement	1 Form C	
Initial contact resistance, max.	15mΩ* (By voltage drop 6 to 8V DC at rated current)	
Initial insulation resistance (At 500V DC)	Min. 100 MΩ	
Initial breakdown voltage	1,500 Vrms for 1 min Between non-consecutive terminals 2,000 Vrms for 1 min Between dead metal parts and each terminal 2,000 Vrms for 1 min Between ground and each terminal	
Shock resistance	In the free position	Max. 98m/s ² {10G}
	In the full operating position	Max. 294m/s ² {30G}
Vibration resistance	55 Hz, double amplitude of 1.5 mm	
Expected life (Min. operation)	Mechanical	10 ⁷ (at 50 cpm)
	Electrical	2 x 10 ⁵ (at 20 cpm)
Ambient temperature/Ambient humidity	-20 to +60°C -4 to +140°F /Max. 95% R.H. (at 20°C 68°F)	
Max. operating speed	120 cpm	

*The resistance of a copper wire is not included.

3.EN60947-5-1 performance

Item	Rating
Rated insulation voltage (Ui)	250VAC
Rated impulse withstand voltage (Uimp)	2.5kV
Switching over voltage	2.5kV
Rated enclosed thermal current (Ithe)	10A
Conditional short-circuit current	100A
Short-circuit protection device	10A fuse
Protective construction	IP64 (switch)
Pollution degree	3

DATA

1. Life curve

