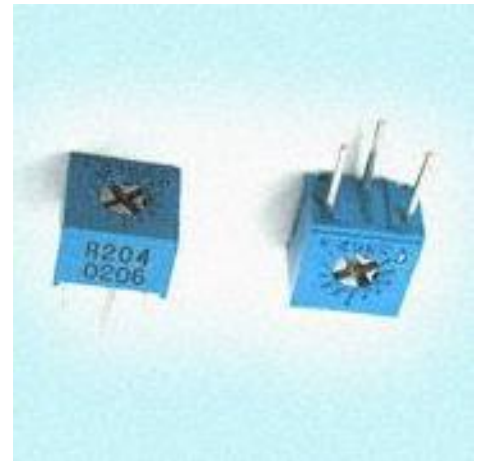


# Vatronics Technologies Limited

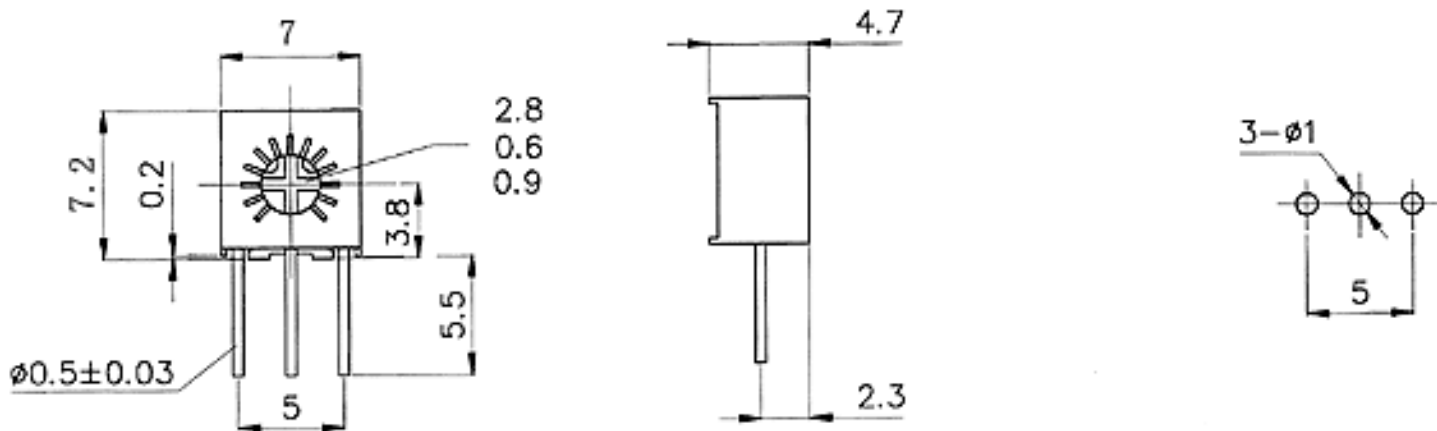
## 3362 6mm Square Single-Turn Trimmer Potentiometers

**Vatronics makes 3362M,3362P,3362R,3362U,3362W,3362X,**  
Electrical Characteristics  
Range of resistance:  $10\Omega$ — $2M\Omega$  Resistance tolerance:  $\pm 10\%$   
Terminal resistance  $\leq 2\Omega$  or  $1\%R$  Contact resistance variation:  
 $CRV \leq 3\%R$  or  $3\Omega$  Insulation resistance  $R_e \geq 1G\Omega$   
Withstand voltage -500Vdc  
Effective electrical travel:  $210 \pm 10^\circ$  Rated  
power:  $0.5W \cdot 70^\circ$



Vatronics Temperature range:  $-55 \sim +125^\circ$   
TCR:  $\pm 100ppm/^\circ$ ; Collision  $390m/s^2 \cdot 4000$  cycles Vibration 10-2000Hz  
 $0.75mm$ , 6h  $\Delta R \leq \pm (3\%R + 0.1\Omega)$   
Load life at  $70^\circ 0.5W$ , 1000H  $\Delta R \leq \pm (3\%R + 0.1\Omega)$   
Mechanical endurance  
200 cycles  $\Delta R \leq 3\%R \cdot CRV \leq 3\%R$  Starting torque  $\leq 36$  mNm

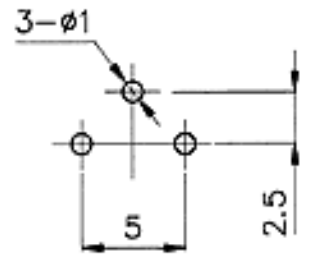
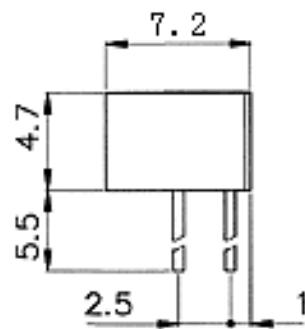
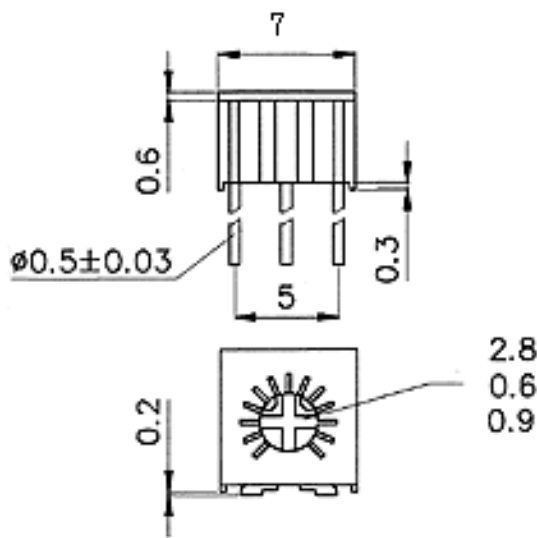
Vatronics Mark: Resistance code, resistance  
tolerance ( $\pm 10\%$  no indication), lot No.  
Standard package 50pcs/tube



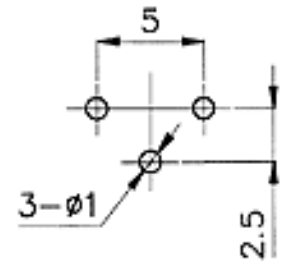
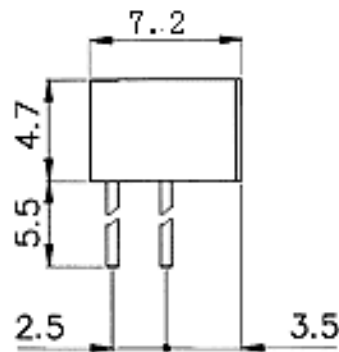
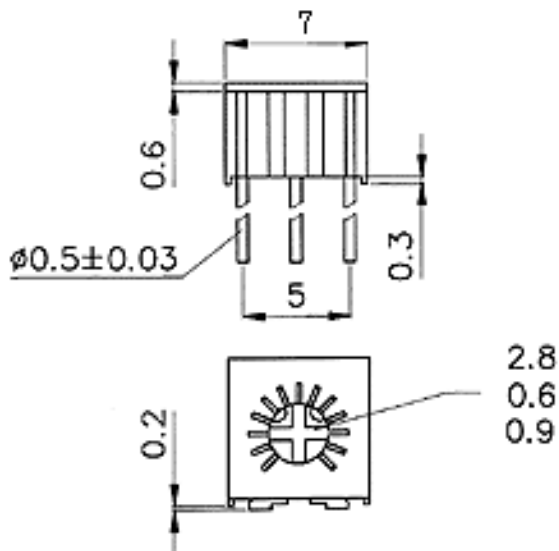
**Vatronics 3362M DRAWING**

**Vatronics Technologies Limited**

<http://www.vatronics.com> [sales@vatronics.com](mailto:sales@vatronics.com)



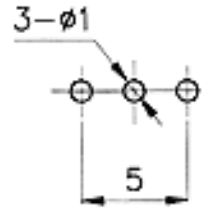
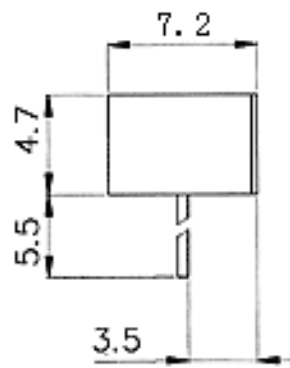
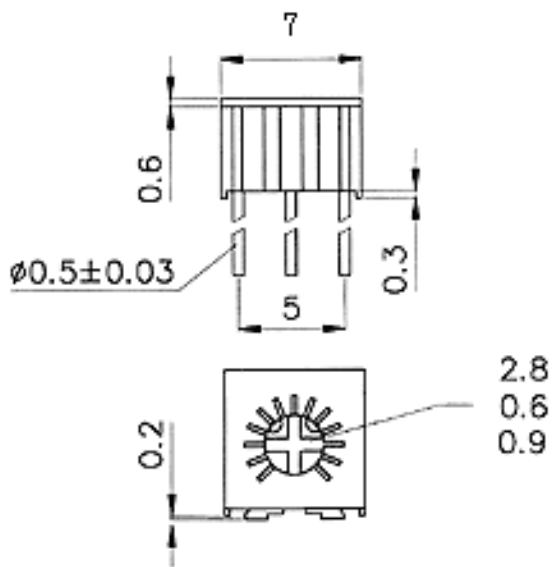
**Vatronics 3362P DRAWING**



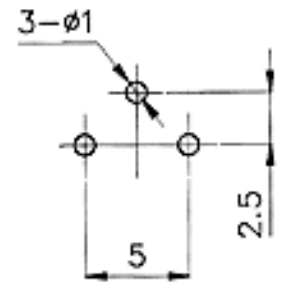
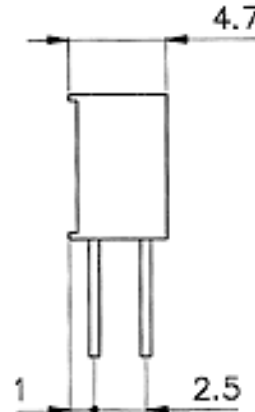
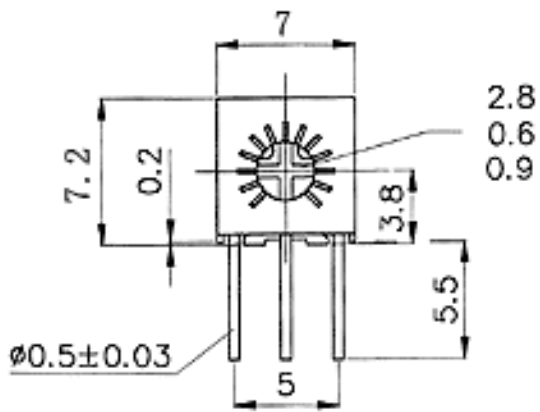
**Vatronics 3362R DRAWING**

*Vatronics Technologies Limited*

<http://www.vatronics.com> [sales@vatronics.com](mailto:sales@vatronics.com)



### Vatronics 3362U DRAWING



### Vatronics 3362W DRAWING

*Vatronics Technologies Limited*

<http://www.vatronics.com> [sales@vatronics.com](mailto:sales@vatronics.com)