

FYL- 8013XXX1B

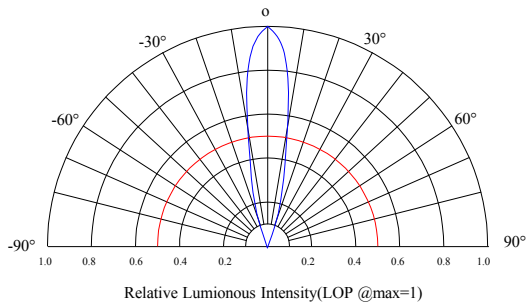
Features:

- General purpose leads
- RoHs compliant.

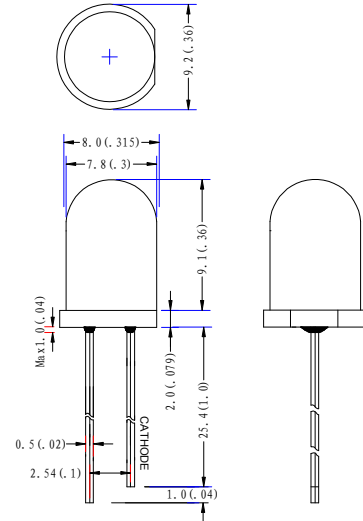
Descriptions:

- Dice material: GaP/GaAsP/InGaN/AlGaInP.
- Device Outline: $\Phi 8\text{mm}$ Round Type.

Radiation pattern.



Package configuration



- ◆ All dimensions are millimeters (inches)
- ◆ Tolerance is $\pm 0.25\text{mm}(.010\text{'})$ unless otherwise noted.

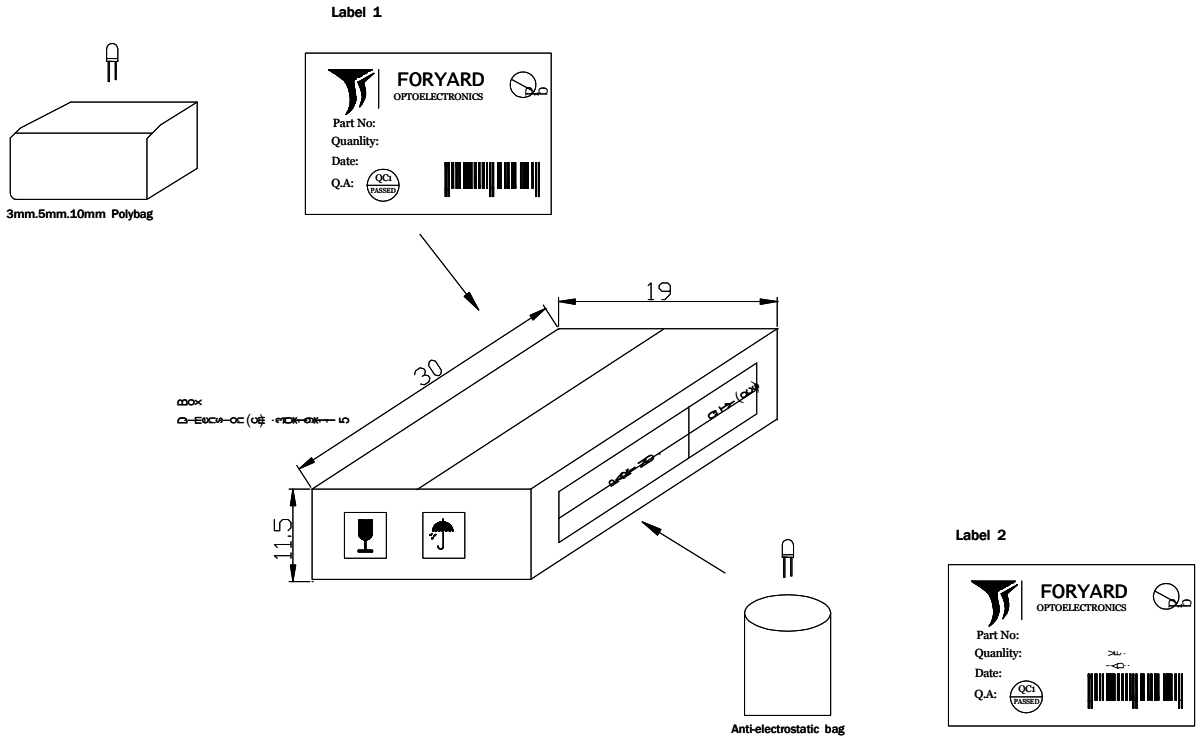
Absolute maximum ratings($T_a=25^\circ\text{C}$)

Parameter	MAX.	Unit
Continuous Forward Current	20	mA
Derating Linear From 50°C	0.4	mA/ $^\circ\text{C}$
Reverse Voltage	5	V
Operating Temperature Range	-30°C to $+80^\circ\text{C}$	
Storage Temperature Range	-40°C to $+100^\circ\text{C}$	
Lead Soldering Temperature[$4\text{mm}(.157\text{'})$ From Body]	260°C for 5 Seconds	

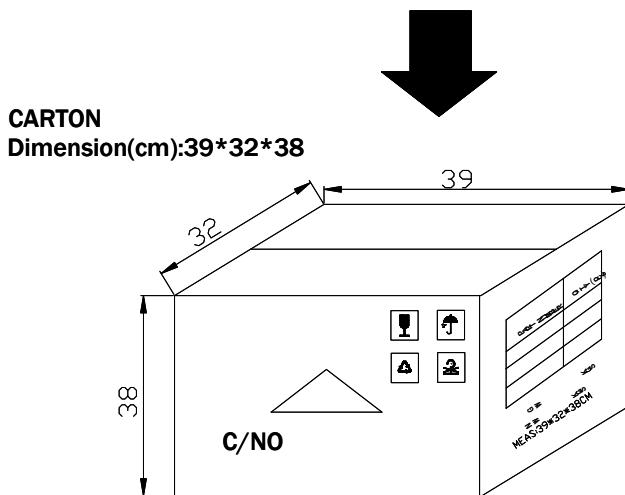
Optical Characteristics at TA = 25° C,IF=20mA.

Part Number	Lens Color	Wavelength (nm)	Intensity (mcd)	Angle 2θ 1/2
FYL-8013HD1B	Red diffused	700	30	30
FYL-8013SRC1B	Water clear	660	200	20
FYL-8013YD1B	Yellow diffused	588	50	30
FYL-8013GD1B	Green diffused	568	60	35
FYL-8013LRC1B	Water clear	660	600	20
FYL-8013NURC1B	Water clear	630	2400	20
FYL-8013SUEC1B	Water clear	625	600	20
FYL-8013SUAC1B	Water clear	610	1000	20
FYL-8013SUYC1B	Water clear	588	2200	20
FYL-8013SUGC1B	Water clear	568	1500	20
FYL-8013PGC1B	Water clear	520	13000	20
FYL-8013UBC1B	Water clear	470	6000	20
FYL-8013VC1B	Water clear	410	90(mW)	20
FYL-8014UWC1B	Water clear	X:0.29 Y:0.30 CCT:9500K	10000	25

LAMP PACKING.



DEVICE	QTY/polybag(pcs)	Polybag/box A	Fig
5mm(T-1 3/4)	1000	8 bags	Label 1
3mm(T-1)	1000	10 bags	Label 1
10mm(T-1)	250	8 bags	Label 1
Blue/Green/White	500pcs	8 bags	Label 2



6 Boxes/Carton
 5mm:48,000pcs
 3mm:60,000pcs
 10mm:12,000pcs
 Blue/Pure Green/bluish Green
 /White:24,000pcs