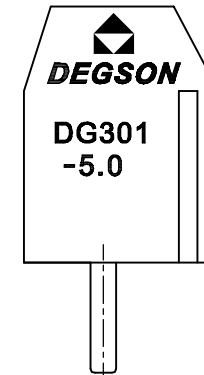
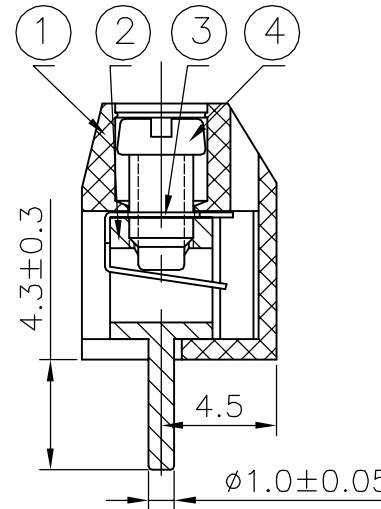
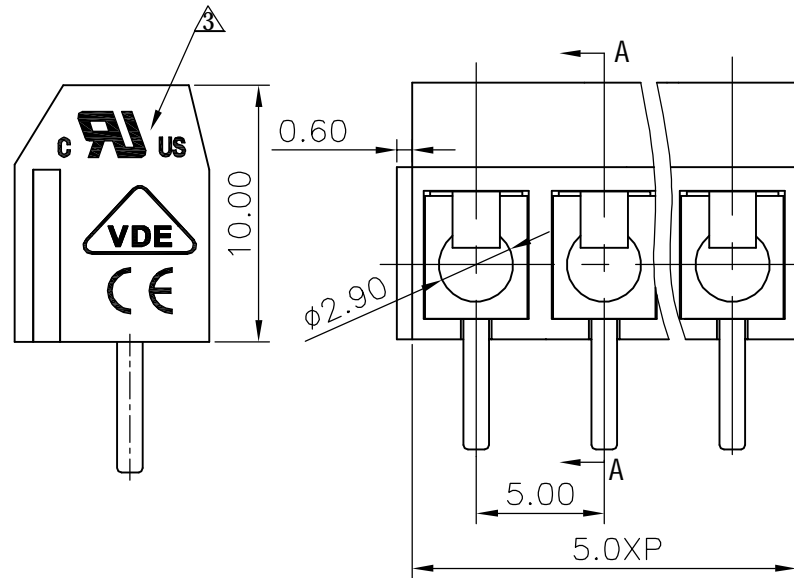
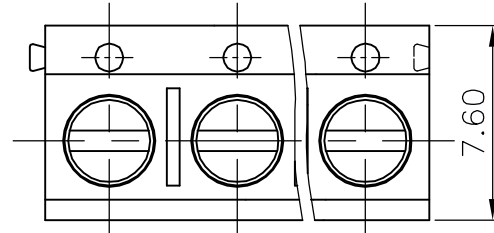


REVISION RECORD				
REV	ECO	DESCRIPTION	DRFT	DATE
△		Drawi ng Revi se	Haoyh	03/14/06
△		修改刻字	CSX	12/28/06
△		品名、料号增加环保标示“(H)”	CSX	12/10/07

Notes:

1. pitch: 5.0mm
2. Rated vol tage/current: UL 300V/15A
VDE 250V/17.5A
3. Insulation resistance: 5000MΩ/1000V
4. Wi thstanding vol tage: AC2000V/1Mi n
5. Wire range: 22-14AWG 1.5mm²
6. Temp. Range: -30° C ~ +120° C
7. Torque: 4.08kgf. cm
8. Undi mensioned Tol erances:



SECTION A-A

4	DG301-Screws	S000001420(H)	XX	Steel	Cr ³⁺ Zn
3	DG301-Spring	X000000250(H)	XX	Stai nless steel	
2	DG301(A)-pi n header	4004B00010(H)	XX	Brass	SnCe

ITEM	NAME OF PART	NO. OF PART	Q'TY	MATERIAL	NOTES
1	DG301-5.0 Housi ng	4004A0YXXA(H)	1	PBT	UL94V-0

MM (INCH)	DFTO huangwei	DATE 01/05/05*
TOLERANCES EXCEPT AS NOTED	CHKD	DATE
	MFO	DATE
	APPVL	DATE
MM		
.0 ±	±	
.00 ±	±	
.000 ±	±	
MATERIAL :		
ANGLES ± 1°	G.E :	
THIRD ANGLE PROJECTION	FINISH :	
	SCALE : 1:1	

DEGSON [®]		宁波高正电子有限公司 DEGSON ELECTRONICS CO., LTD	
NAME DG301-5.0-XXP-1Y-00A(H)			
DRAWING NO. DG301-5.0-E01		SIZE	REV
/PART NO.		A3	T4
			12/10/07
DO NOT SCALE DRAWING		SHEET 1	OF 1