

The Choosing Guide for Zero Power Consumption Magnetic Sensor

When the zero power consumption magnetic sensor works, it needn't power supply, it can directly transform the magnetic signal into electrical signal. The working mode is bipolar triggering, it triggers the magnetic field to change for one circle, the zero power consumption magnetic sensor will sync-output a pair of positive and negative electrical pulse.

● Function characteristic

Model	Triggering Magnetic flux density B (mT)			V_o (V) Output amplitude	τ (μ S) Pulse width	Operating temperature T ($^{\circ}$ C)	Replacement type for old model
	Min	Typ	Max				
WG112	2.5	7~8	12	≥ 1.5	10~50	-20~+125	WG102
WG113	2.5	7~8	12	≥ 1.5	10~50	-20~+105	WG103
WG113A	2.5	7~8	12	≥ 1.5	10~50	-20~+105	WG103A
WG115	2.5	7~8	12	≥ 1.5	10~50	-20~+125	
WG214	2.5	7~8	12	≥ 1.5	10~50	-20~+125	WG204
WG311	2.5	7~8	12	≥ 1.5	10~50	-20~+125	WG101 WG801
WG312	2.5	7~8	12	≥ 1.5	10~50	-20~+125	
WG514	2.5	7~8	12	V_{CC} (Note)	20~30	-20~+125	WG504

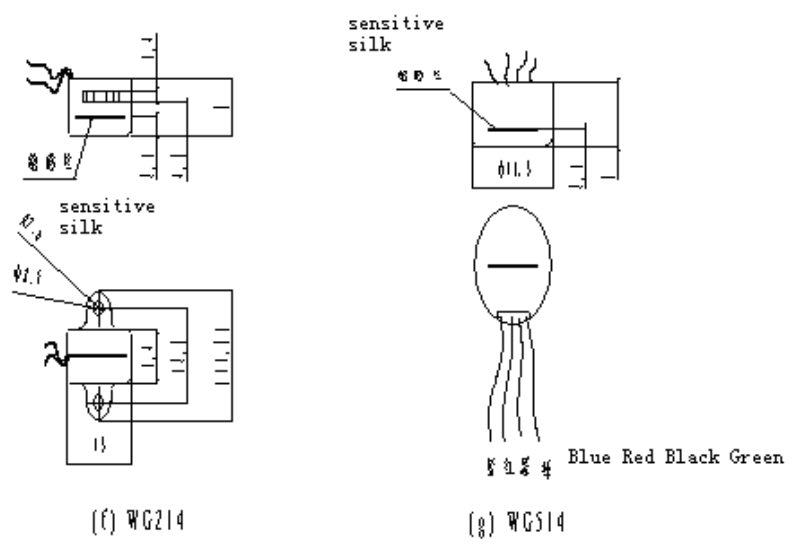
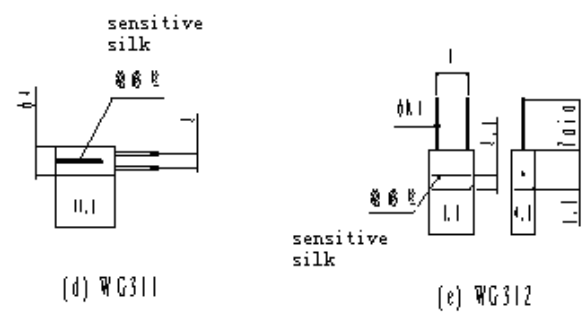
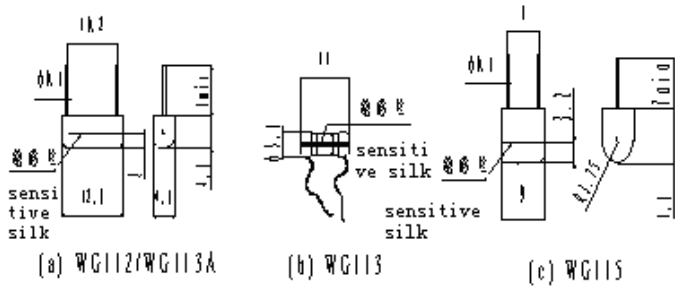
Note: The power supply of WG514 is $V_{CC}=3.6 \sim 5V$, the average power consumption current is $I_{CC} \leq 0.2 \mu A$.

Structure and Dimension

Model	Dimension (mm)	Sensitive silk location	Appearance	External leading wire
WG112	12.8×4.5×4.5	It's 2mm from the back surface	Plastic housing	Rigid tinned copper leading wire
WG113	11 × φ 3.6	Central axis	There are beads in the 2 ends.	Flexible high temperature plastic leading wire
WG113A	12.8×4.5×4.5	It's 2mm from the back surface	There are beads in the 2 ends, Plastic housing	Rigid tinned copper leading wire
WG115	9×6.5×7.5	It's 3.2mm from the back surface	Plastic housing	Rigid tinned copper leading wire
WG214	13×7.4×8	It's 2.7mm from the back surface	The plastic housing with fixing hole.	Flexible 2-colour high temperature plastic leading wire
WG311	11.5 × φ 4	Central axis	Aluminium housing	Rigid tinned copper leading wire
WG312	8.8×4.8×5.8	It's 2.5mm from the back surface	Aluminium housing	Rigid tinned copper leading wire
WG514	φ 16.3×9	It's 2.7mm from the back surface	Plastic housing	4-colour plastic cable

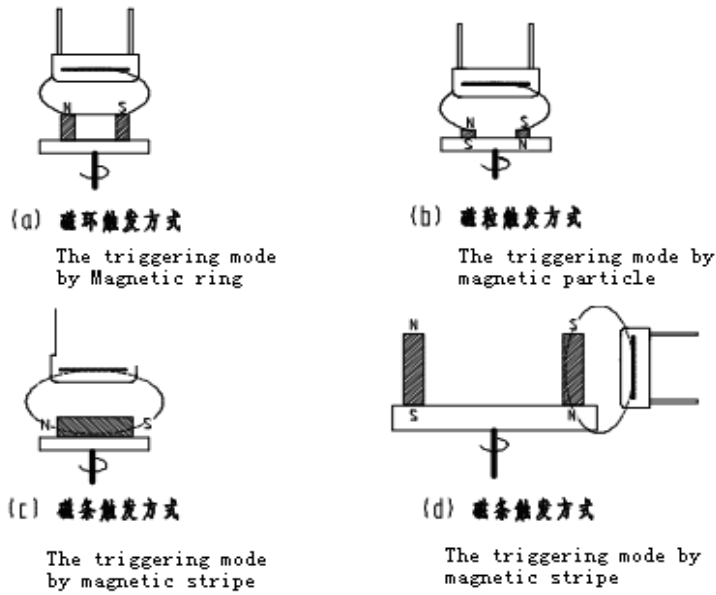
● Structure figure

单位 Unit: mm



✧ Triggering mode and Method of Installation

The typical several triggering modes and Method of installation is as follows, you can choose one among it as your request



✧ Shaping circuit and Output waveform

The following figure shows the shaping circuit and waveform of the corresponding point. The parameter of the elements in the figure can be adjusted as the actual demand.

