

Vatronics Technologies Limited

3329 Round Single-Turn Trimmer Potentiometers

Vatronics makes 3329H, 3329P, 3329S Series.

Electrical Characteristics Range

of resistance 10Ω — $2M\Omega$

Resistance tolerance $\pm 10\%$

Terminal resistance $1\%R$ or $\leq 2\Omega$ Contact resistance variation $CRV \leq 3\%R$ or 3Ω

Insulation resistance $Re \geq 1G\Omega$ Withstand voltage $500Vdc$



Vatronics Effective electrical travel $> 70\%$ of total mechanical travel

Environmental Characteristics Rated power $0.5W(70^\circ)$

Temperature range -55° — $+125^\circ$ TCR $\pm 100ppm/^\circ$

Temperature variation $-55^\circ, 30min, +125^\circ, 30min$ 3 cycles $\Delta R \leq 3\%R$ Collision

$390m/s^2 \cdot 4000$ cycles $\Delta R \leq 3\%R$ Vibration 10 — $500HZ, 0.75mm, 6h$ $\Delta R \leq 3\%R$

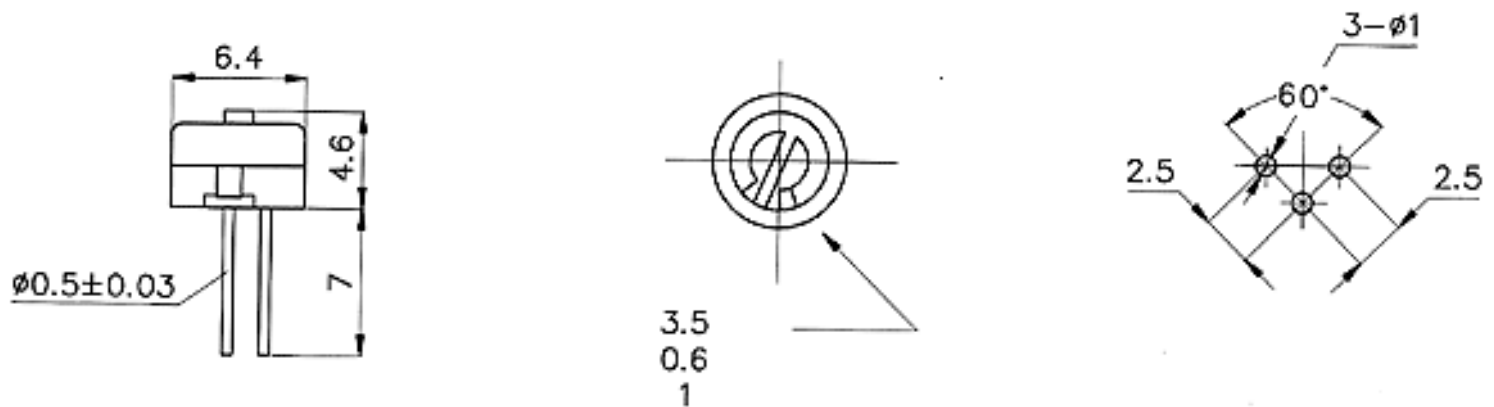
Climate category $\Delta R \leq 3\%R \cdot Re \geq 100M\Omega$

Endurance at $70^\circ 0.5W \cdot 1000h$ $\Delta R \leq 3\%R$ Mechanical endurance 100 cycles $\Delta R \leq 3\%R$

Steady damp—heat $\Delta R \leq 3\%R \cdot Re \geq 100M\Omega$

Physical Characteristics Total mechanical travel $\geq 260^\circ$ Starting torque $\leq 20 \cdot mN \cdot m$

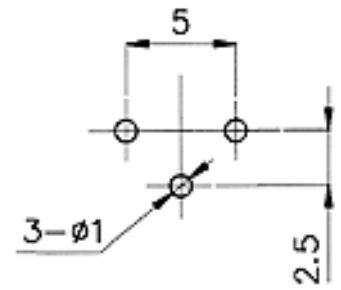
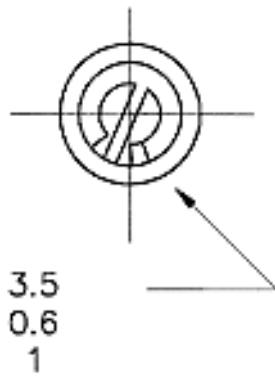
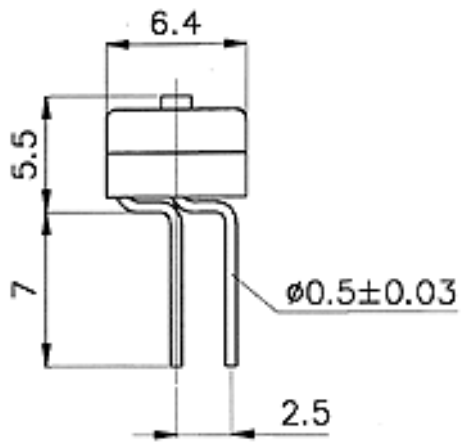
Mark Resistance code, resistance tolerance ($\pm 10\%$ no indication), lot No. Standard package 50pcs/tube



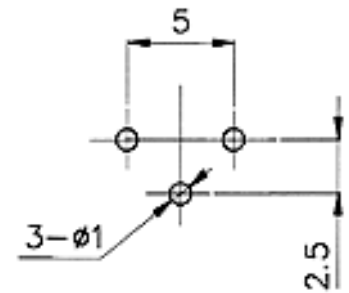
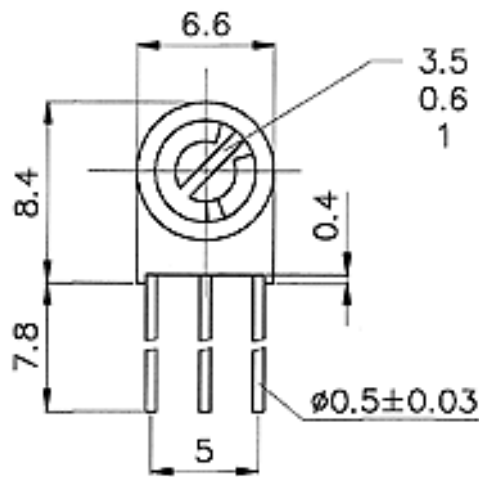
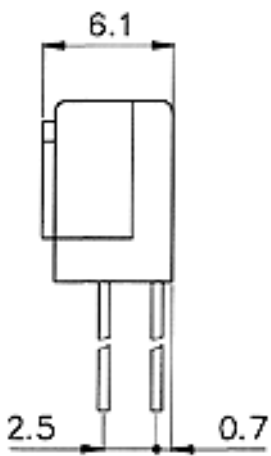
Vatronics 3329H DRAWING

Vatronics Technologies Limited

<http://www.vatronics.com> sales@vatronics.com



Vatronics 3329P DRAWING



Vatronics 3329S DRAWING

Vatronics Technologies Limited
<http://www.vatronics.com> sales@vatronics.com