

DRAN I 20 SERIES

AC - DC DIN RAIL MOUNTABLE POWER SUPPLY
INDUSTRIAL CONTROL EQUIPMENT



FEATURES

- P.F.C. FUNCTION AVAILABLE
- PARALLEL FUNCTION AVAILABLE (SWITCH)
- INPUT VOLTAGE 115/230VAC AUTO SELECT
- SELV COMPONENTS DESIGN
- 3 YEARS WARRANTY



SELECTION CHART

DRAN I 20 - 24 x

Wattage

12 : 12V OUT
24 : 24V OUT
48 : 48V OUT

A : SCREW TERMINALS TYPE
B : DETACHABLE CONNECTOR TYPE
AL / BL : CLASS 2 POWER (24V ONLY)

MODEL LIST

MODEL NO.	INPUT VOLTAGE	OUTPUT WATTAGE	OUTPUT VOLTAGE	OUTPUT CURRENT	EFF. (min.)	EFF. (typ.)
Single Output Models						
DRANI20-12x	115 / 230 VAC	120 WATTS	+ 12 VDC	10A	82%	84%
DRANI20-24x	115 / 230 VAC	120 WATTS	+ 24 VDC	5A	84%	86%
DRANI20-24xL	115 / 230 VAC	91.2 WATTS	+ 24 VDC	3.8A	83%	85%
DRANI20-48x	115 / 230 VAC	120 WATTS	+ 48 VDC	2.5A	85%	87%

SPECIFICATION

All Specifications Typical At Nominal Line, Full Load, 25°C Unless Otherwise Noticed

GENERAL						
Characteristics	Conditions	min.	typ.	max.	unit	
Switching frequency	Vi nom, Io nom		55		KHz	
Isolation voltage	Input-Output	3,000 / 4,242			VAC / VDC	
	Input-FG	1,500 / 2,121			VAC / VDC	
	Output-FG	500 / 710			VAC / VDC	
Isolation resistance	Input-Output, @ 500VDC	100			MΩ	
Ambient temperature	Operating at Vi nom	-35		+ 71	°C	
Derating (see derating curve)	Vi nom, from +61 to +71°C			2.5	% / °C	
Storage temperature	Non operational	-40		+ 85	°C	
Relative humidity	Vi nom, Io nom	20		95	% RH	
Temperature coefficient	Vi nom, Io min			± 0.03	% / °C	
MTBF	Bellcore Issue 6 @40°C, GB	12V		440,000	Hours	
		24V		450,000	Hours	
		AL / BL		486,000	Hours	
		48V		482,000	Hours	
Altitude during operation	IEC 60068-2-13			4,850	m	
Dimension	Screw terminal type	L124.5 x W64 x D123.6			mm	
	Detachable connector type	L143.5 x W64 x D123.6			mm	
Cooling	Free air convection					
Installation position	Vertical (other direction may derating using)					
Pollution degree		2				



SPECIFICATION

All Specifications Typical At Nominal Line, Full Load, 25°C Unless Otherwise Noticed

INPUT SPECIFICATIONS							
Characteristics	Conditions			min.	typ.	max.	unit
Rated input voltage	Io nom			115 / 230 (auto select)			VAC
Absolute input max. range	Ta min ... Ta max, Io nom	AC in	115V selected	90		132	VAC
		AC in	230V selected	180		264	VAC
		DC in		210		375	VDC
Input current	Vi : 115 / 230 VAC, Io nom				2.2 / 0.83		A
	AL, BL models				1.65 / 0.65		A
Rated input current	Vi : 90 / 180 VAC, Io nom					2.8 / 1.4	A
	AL, BL models					2.0 / 0.8	A
Line frequency	Vi nom, Io nom			47		63	Hz
Inrush current	Vi : 115 / 230 VAC, Io nom					24 / 48	A
Power dissipation	Vi : 230 VAC, Io nom		12V		24		W
			24V		20		W
			AL / BL		16		W
			48V		19		W
Leakage current	Input-Output					0.25	mA
	Input-FG					3.5	mA
P.F.C. (Passive)	Vi : 230VAC, Io nom				0.7		

OUTPUT SPECIFICATIONS							
Characteristics	Conditions			min.	typ.	max.	unit
Output voltage accuracy (Adjusted before shipment)	Vi nom, Io max			0		+ 1	%
Minimum load	Vi nom			0			%
Line regulation	Io nom, Vi min ...Vi max					± 0.5	%
Load regulation	Vi nom, Io min ...Io nom	single mode				± 1	%
		parallel mode				± 5	%
Voltage trim range	Vi nom, 0.8 Io nom		12V	11.4		14.5	VDC
			24V	22.5		28.5	VDC
			AL / BL	22.5		24.5	VDC
			48V	45		55	VDC
Rated continuous loading	Vi nom		12V	10 A @ 12Vdc / 8.2 A @ 14.5 Vdc			
			24V	5 A @ 24Vdc / 4.2 A @ 28.5 Vdc			
			AL / BL	3.8 A @ 24Vdc / 3.7 A @ 24.5 Vdc			
			48V	2.5 A @ 48Vdc / 2.1 A @ 55 Vdc			
Hold up time	Vi : 115 / 230 VAC, Io nom			25 / 30			ms
Turn on time	Vi nom, Io nom					1,000	ms
	Vi nom, Io nom → 12V model : with 7000 μF CAP 24V, 48V models : with 3500 μF CAP					1,500	ms
Rise time	Vi nom, Io nom					150	ms
	Vi nom, Io nom → 12V model : with 7000 μF CAP 24V, 48V models : with 3500 μF CAP					500	ms
Fall time	Vi nom, Io nom					150	ms
Transient recovery time	Vi nom, I ~ 0.5 Io nom					2	ms
Ripple & noise	Vi nom, Io nom, BW = 20MHz					50	mV
Power back immunity	Vi nom, Io nom		12V	18			VDC
			24V	35			VDC
			48V	63			VDC
Capacitor load	Vi nom, Io nom		12V			7,000	μF
			24V, 48V			3,500	μF
DC ON indicator threshold at start up (Green LED)	Vi nom, Io nom		12V	10		11.2	VDC
			24V	17.6		19.4	VDC
			48V	37		43	VDC
DC LOW indicator threshold after start up (Red LED)	Vi nom, Io nom		12V	10		11.2	VDC
			24V	17.6		19.4	VDC
			48V	37		43	VDC
Parallel operation	0.1 Io min ~ 0.9 Io max (Except AL / BL models)					3	unit
Efficiency	Vi nom, Io nom, Po / Pi			Up to 87%, See model list and typ efficiency curve			

DRAN120 SERIES

SPECIFICATION

All Specifications Typical At Nominal Line, Full Load, 25°C Unless Otherwise Noticed

CONTROL AND PROTECTION					
Characteristics	Conditions	min.	typ.	max.	unit
Input fuse		T3.15A / 250VAC internal			
Internal surge voltage protection	IEC 61000-4-5	Varistor			
Rated over load protection	Vi nom (see typ current limited curve)	110		145	%
	AL / BL	102		108	%
Power Rdy (for 24V model only)	Threshold voltage of contact closed(at start up)	17.6		19.4	VDC
	Electrical isolation	500			VDC
	Contact rating at 60VDC			0.3	A
Over voltage protection	Vi nom, 0.8 Io nom (Auto Recovery)	12V	15	16.8	V
		24V	30	33	V
		48V	60	66	V
		AL / BL	24.5	25.5	V
Output short circuit		Fold forward			
Degree of protection		IP20			

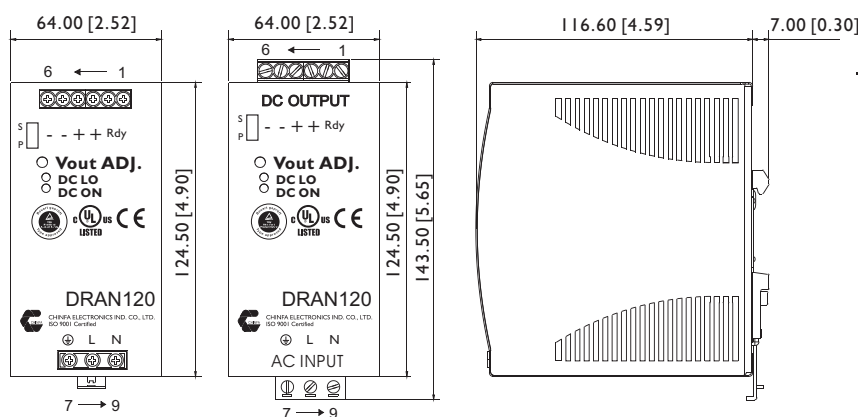
APPROVALS AND STANDARDS	
UL / cUL	UL 508 Listed UL 60950-1, UL 1310 Class 2 Power (24AL/BL models only) Recognized ISA 12.12.01(Class I, Division 2, Groups A, B, C and D)
TUV	EN 60950-1 EN 61558-1, EN 61558-2-16 (meet EN 60204-1)
CE	EN 61000-6-3, EN 55022 Class B, EN 61000-3-2 Class D, EN 61000-3-3 EN 61000-6-2, EN 55024, EN 61000-4-2 Level 4, EN 61000-4-3 Level 3 EN 61000-4-4 Level 4, EN 61000-4-5 L-N Level 3, L / N-FG Level 4 EN 61000-4-6 Level 3, EN 61000-4-8 Level 4, EN 61000-4-11 ENV 50204 Level 2, EN 61204-3
CCC	GB4943.1, GB9254, GB17625.1
Vibration resistance	meet IEC 60068-2-6 (Mounting by rail : 10-500 Hz, 2G, along X, Y, Z each Axis, 60 min for each Axis)
Shock resistance	meet IEC 60068-2-27 (15G, 11ms, 3 Axis, 6 Faces, 3 times for each Face)

PHYSICAL CHARACTERISTICS

Case size	Screw terminal type	124.5 x 64 x 123.6 mm (4.9 x 2.52 x 4.87 inches)
	Detachable connector type	143.5 x 64 x 123.6 mm (5.65 x 2.52 x 4.87 inches)
Case material	Metal	
Weight	920g	
Packing	1.02kg ; 20 pcs / 21.5kg / 2.01CUFT	

MECHANISM & PIN CONFIGURATION

mm [inch]



GENERAL TOLERANCE	
0.00[0.00] - 30.00[1.18]	±0.30[0.01]
30.00[1.18] - 120.00[4.72]	±0.50[0.02]
120.00[4.72] - 400.00[15.75]	±0.80[0.03]

CONSTRUCTION

Easy snap-on mounting onto the DIN-Rail (TS35/7.5 or TS35/15), unit sits safely and firmly on the rail.

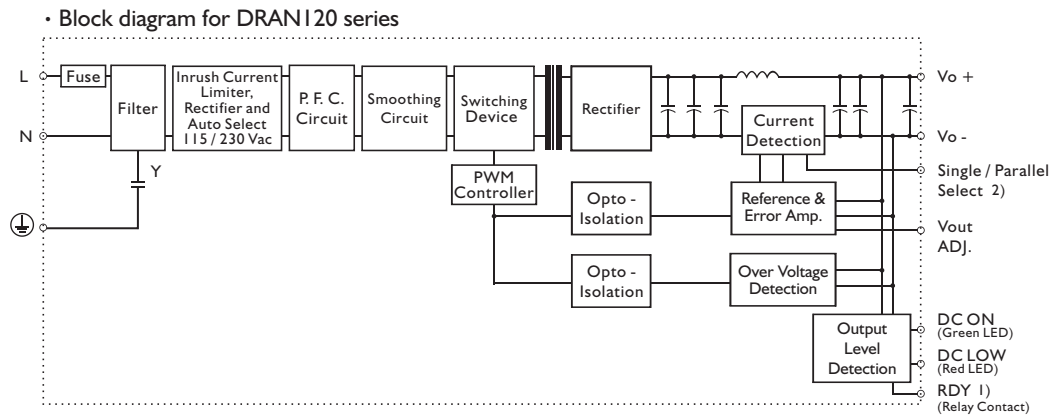
INSTALLATION

Ventilation / Cooling
Normal convection
All sides 25mm free space
For cooling recommended
Connector size range
Screw terminal:
AWG24-10 (0.2~4mm²) flexible / solid cable,
-Input connector can withstand torque at maximum 9 pound-inches.
-Output connector can withstand torque at maximum 5.5 pound-inches.
8 m/m stripping at cable end recommends
Detachable connector:
AWG24-12 (0.2~2.5mm²) flexible / solid cable,
-Input connector can withstand torque at maximum 4.5 pound-inches.
-Output connector can withstand torque at maximum 7 pound-inches.
4~5 m/m stripping at cable end recommends
Use copper conductors only, 60 / 75°C

PIN ASSIGNMENT

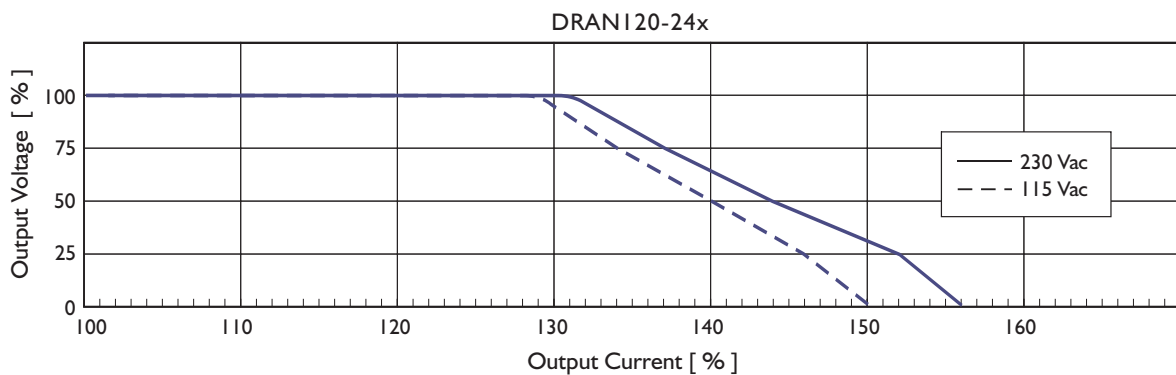
PIN NO.	Designation	Description
1	OUT	RDY
2		A normal open relay contact for DC ON level control (Never connect except 24V model)
3, 4		V +
5, 6	V -	Negative output terminal
7	IN	⊕
8		L
9		N
	OTHER	DC ON
		DC LO
		Vout ADJ.
		S / P

CIRCUIT SCHEMATIC

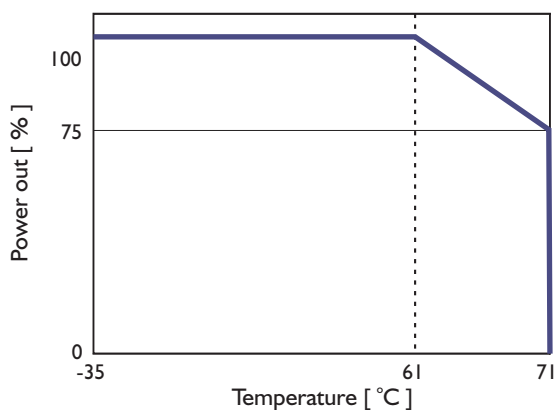


Note: 1) For 24V Model Only
2) AL/BL Models without this function

TYP. CURRENT LIMITED CURVE



DERATING CURVE



TYP. EFFICIENCY CURVE

