



5.0mm Round Type LED Lamps

PART NO: FYL-5013YD

REV NO: 1.0

PAGE: 1/2

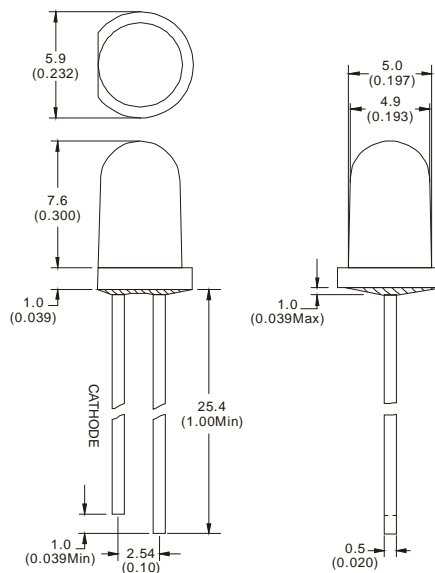
■ Features:

- Standard brightness.
- Popular T-1 3/4 diameter package.
- Choice of various viewing angles.
- IC compatible /Low current capability.
- Diffused, Transparent and Water clear lens are available.

■ Descriptions:

- The LED lamps are available with different colors, intensities, epoxy colors etc.

■ Package Dimensions:



NOTES:

1. All dimension are in millimeters (inch).
2. An epoxy meniscus may extend about 1.5mm down to the lead.
3. Tolerances unless dimension ± 0.25 mm.

CHECKED: YING.L.M

APPROVED: CHEN.J.J

DATE:2003/03/10



5.0mm Round Type LED Lamps

PART NO: FYL-5013YD

REV NO: 1.0

PAGE: 2/2

■ Chip and Lens Appearance

Part No	Chip	Lens Color
FYL-5013YD	GaAsP/GaP Yellow	Yellow diffused

■ Absolute Maximum Ratings at Ta=25°C

Parameter	Symbol	Rating	Unit
Forward Current	I _F	30	mA
Power Dissipation	P _d	80	mW
Reverse Voltage	V _R	5	V
Peak Forward Current (Duty 1/10 @1KHZ)	I _{PF}	150	mA
Operation Temperature	T _{OPR}	-40 to +80	°C
Storage Temperature	T _{STG}	-40 to +85	°C
Lead Soldering Temperature	T _{SOL}	Max.260± 5°C for 3 sec Max. (1.6mm from the base of the epoxy bulb)	°C

■ Electronic Optical Characteristics at Ta=25°C

Items	Symbol	Min.	Typ.	Max.	Unit	Condition
Forward Voltage	V _F	-	2.10	2.50	V	I _F =20mA
Reverse Current	I _R	-	-	20	uA	V _R =5V
Peak Wavelength	λ _P	-	585	-	nm	I _F =20mA
Spectrum Line Half width	Δλ	-	35	-	nm	I _F =20mA
Luminous Intensity	I _V	-	20	-	mcd	I _F =20mA
Viewing Angle	2θ 1/2	-	60	-	degree	I _F =20mA