

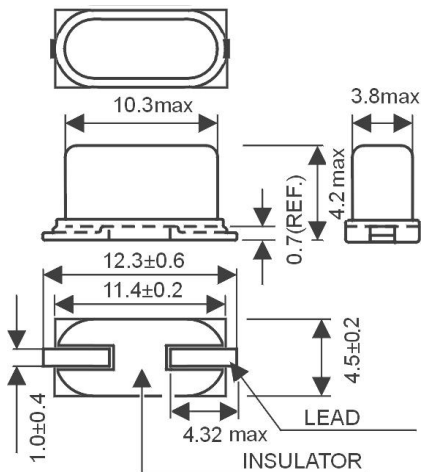


Quartz Crystal

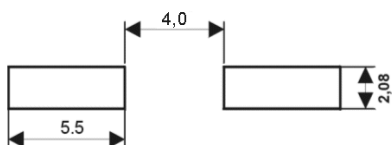
SMD-version

model	KX - K	
frequency range	3,50 ~ 70,0 MHz	
mode	fundamental, 3 rd overtone	
operating temperature	standard -20° ~ + 70°C available -40° ~ + 85°C (=KX-KT)	
frequency tolerance at +25°C	standard ± 30 ppm, available ± 10 ~ ± 50 ppm	
temperature tolerance at -20° ~ +70°C -40° ~ +85°C	standard ± 50 ppm, available ± 15 ~ ± 50 ppm standard ± 100 ppm, available ± 25 ~ ± 100 ppm	
load capacitance C _L	standard: 16 pF, avail. 12 ~ 30 pF	
series resonance R1 max.	fundamental	3,5 ~ 3,99 MHz 150 Ohm 4,0 ~ 5,99 MHz 120 Ohm 6,0 ~ 7,99 MHz 80 Ohm 8,0 ~ 9,99 MHz 60 Ohm 10,0 ~ 40,0 MHz 50 Ohm
	3 rd overtone	35,0 ~ 39,99 MHz 100 Ohm 40,0 ~ 49,99 MHz 80 Ohm 50,0 ~ 70,0 MHz 50 Ohm
aging at +25°C (first year) max.	± 2 ppm	
shunt capacitance C ₀ max.	7,0 pF	
drive level max.	0,1 mW	
contents of reel	1000 pcs.	
part no.	12.xxxxx	

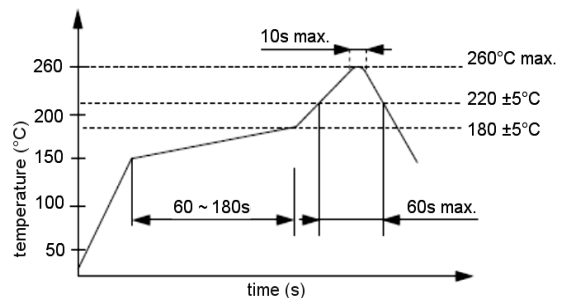
Dimensions (mm):



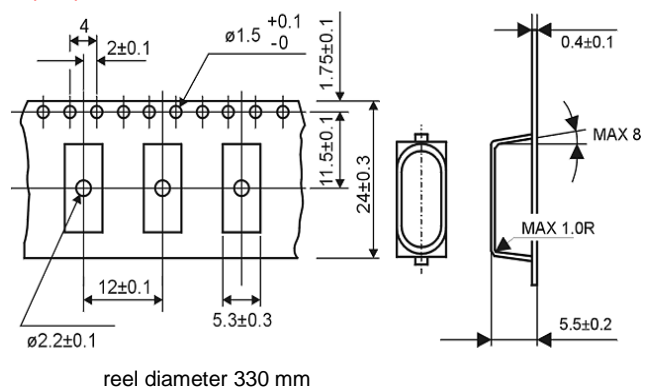
Suggested soldering pad:



Reflow soldering condition:



Tape specification:



reel diameter 330 mm