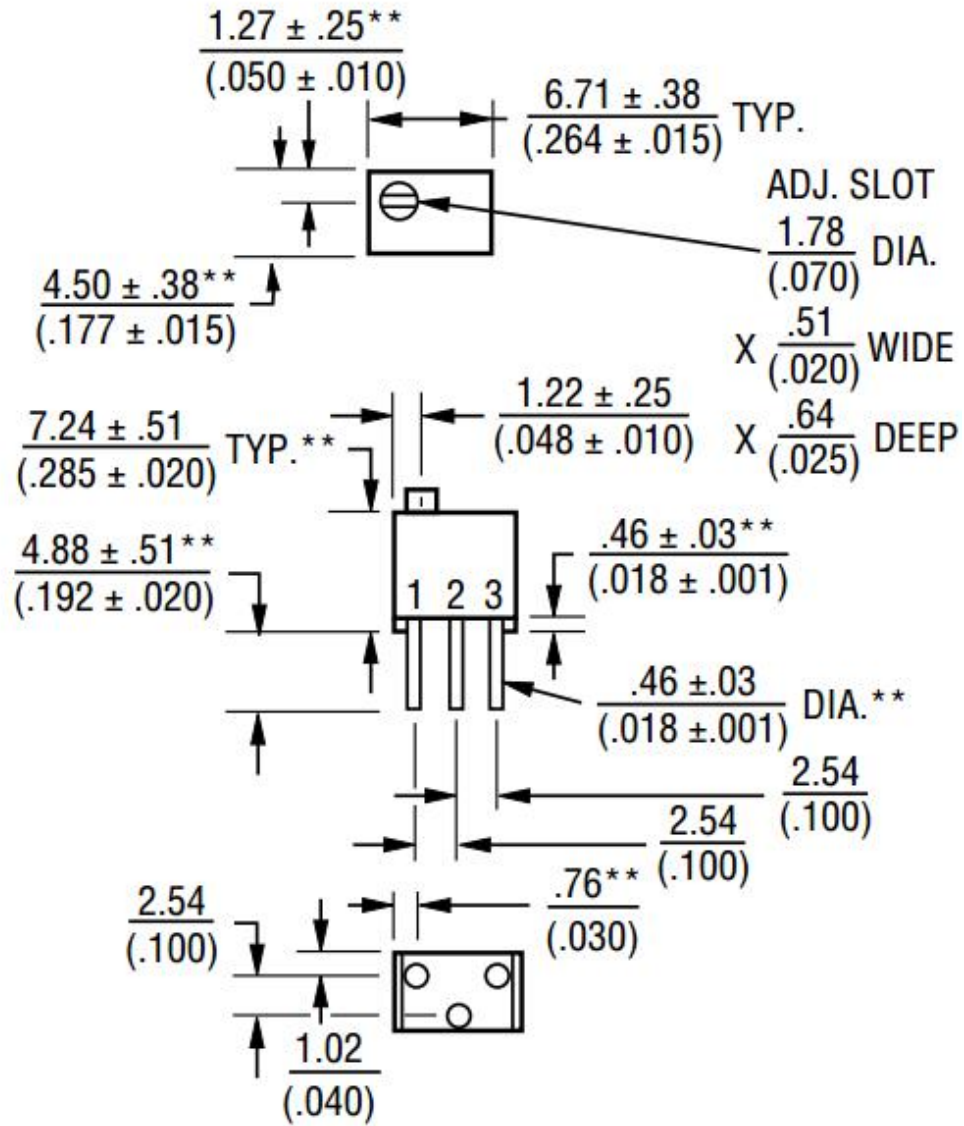
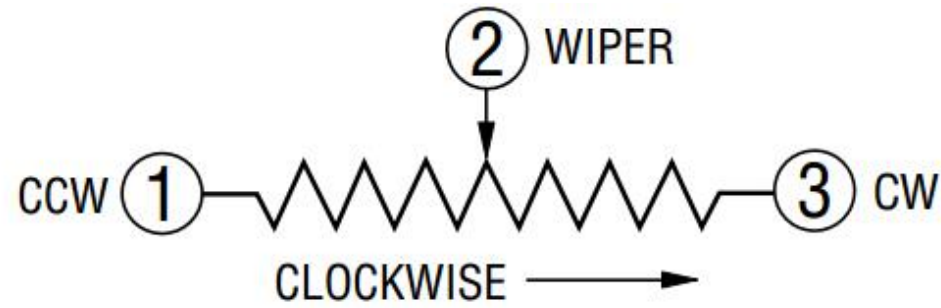


Cermet Trimmer Potentiometer 3266W

Electrical Characteristics	Standard Resistance Range	10Ω~5MΩ
	Resistance Tolerance	±10% ±5% (customization)
	Terminal Resistance	≤1%R or 2Ω
	Insulation Resistance	R1≥ 1GΩ
	Rated Power	0.25W (200V max)
	Withstand Voltage	101.3kPa 600V 8.5kPa 250V
	Contact Resistance Variation (CRV)	≤3%R or 3Ω
	Effective Electrical Travel	12±2 cycles
Environment Characteristics	Temperature Range	-55°C~+125°C
	Temperature Coefficient	±250, ±100ppm/°C
	Collision (390m/S ² , 4000 times)	ΔR≤±1%R
	Vibration (10-500HZ, 0.75mm or 98m/S ² 6h)	ΔR≤±1%R, ΔUab/Uac≤±2%R
	Temperature Variation	ΔR≤±2%R,ΔUab/Uac≤±1%R
	Climate Category	ΔR≤± 3%R, R1≥100MΩ
	Electrical Endurance (70°C,0.25W,1000h)	ΔR≤± 3%R
	Mechanical Endurance (200 cycles)	ΔR≤± 3%R
	Steady Damp-Heat	ΔR≤± 3%R, R1≥100MΩ
Physical Characteristics	Total Mechanical Travel	14±2 cycles
	Starting Torque	≤25mN.m
	Clutch Torque	≤25mN.m

3266W
Common Dimensions





DIMENSIONS: $\frac{\text{MM}}{\text{(INCHES)}}$

TOLERANCES: $\pm \frac{0.25}{(.010)}$ EXCEPT WHERE NOTED