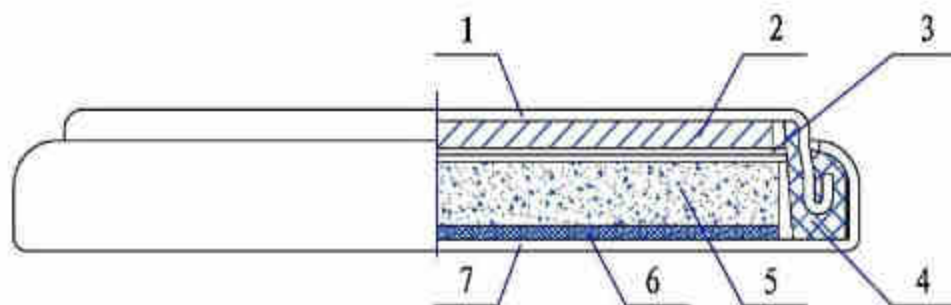


3.0V 锂—二氧化锰扣式电池剖面图

Cutaway Diagram of 3.0V Lithium Manganese Dioxide Button Cell



- | | | | |
|-----------------------------|------------------------------|---------------|----------|
| 1、负极壳 | 2、负极锂片 | 3、隔膜 | 4、密封胶圈 |
| 5、正极片 | 6、正极集流网 | 7、正极壳 | |
| 1、Cathode Shell | 2、Cathode (slice of lithium) | 3、Septum | 4、Gasket |
| 5、Anode (MnO ₂) | 6、Anode collector net | 7、Anode shell | |

Model	Dimensions (mm)	Nominal Voltage (V)	Nominal Capacity (mAh)	Nominal Current (mA)	High Drain Continuous (mA)	High Drain Pulse (mA)	Weight (g)
CR927	9.5*2.7	3	30	0.05	1	5	0.6
CR1025	10.0*2.5	3	30	0.05	1	5	0.6
CR1216	12.5*1.6	3	25	0.05	1	5	0.7
CR1220	12.5*2.0	3	40	0.05	1	5	0.85
CR1225	12.5*2.5	3	48	0.1	1	5	1
CR1616	16.0*1.6	3	50	0.1	1	8	1.2
CR1620	16.0*2.0	3	68	0.1	2	8	1.3
CR1632	16.0*3.2	3	125	0.2	2	10	1.6
CR2016	20.0*1.6	3	90	0.4	5	15	1.9
CR2025	20.0*2.5	3	150	0.2	3	15	2.4
CR2032	20.0*3.2	3	235	0.5	8	15	3.2
CR2330	23.0*3.0	3	250	0.2	8	18	4
CR2335	23.0*3.5	3	300	0.3	8	18	4.2
CR2354	23.0*5.4	3	550	0.2	8	18	6.3
CR2430	24.5*3.0	3	285	0.2	10	18	4.5
CR2450	24.5*5.0	3	600	0.5	15	20	6.7
CR2477	24.5*7.7	3	1000	0.5	15	20	8.7
CR3032	30.0*3.2	3	550	0.5	15	20	6.8