



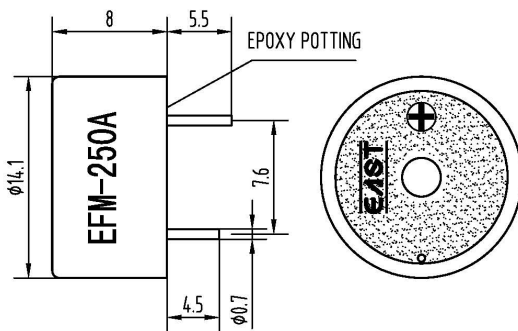
Rev.4

### Piezo Buzzer

## EFM-250A



**DIMENSIONS: (Unit: mm)**



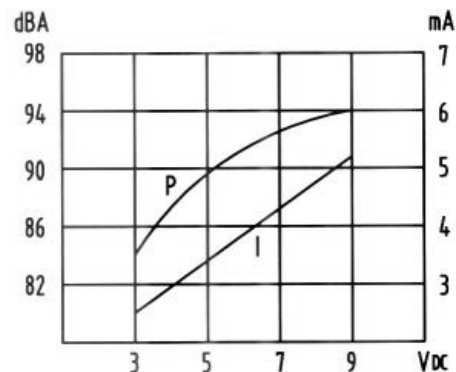
#### FEATURES:

- SMT Inside
- Sealed Type for Wave Soldering
- Small Size

#### APPLICATIONS:

- Automatic Control Equipment
- Communication Equipment
- Electronic Instruments

#### CHARACTERISTICS:



#### ELECTRICAL SPECIFICATIONS:

Min. Sound Pressure Level at

5V <sub>DC</sub> /10cm.....	80dB (A)
Rated Voltage.....	5V <sub>DC</sub>
Operating Voltage.....	3~9V <sub>DC</sub>
Max. Consumption.....	8mA/5V <sub>DC</sub>
Oscillating Frequency.....	4.0±0.5kHz
Tone Nature.....	Continuous
Operating Temperature.....	-40~+85°C
Case Material/Color.....	PC/Black
Weight.....	1g

#### PACKING INFORMATION:

Packing: 5000 pcs per export carton

Carton Size: 47×30.5×33cm

G. Weight: 6.5 kgs N. Weight: 5.0 kgs

Address: Multitrack GmbH, Pfaffenrain 22, 35606 Solms, Germany

Tel: +49-6442-9220950, Fax: +49-3212-1258768



REVISION HISTORY				
REV	DESCRIPTION	ISSUED BY/DATE	CHECKED	APPROVED
2	RELEASE	JINYOULIANG May 21, 2008	ZHANGCHUNLEI	WANGJIANCHENG
3	Print "EFM-250A" on case surface	ZHOU HONGGANG Dec. 3, 2008	ZHANGCHUNLEI	WANGJIANCHENG
4	Add "EAST" marking	WEN GUANGJUN June 13, 2009	ZHANGCHUNLEI	WANGJIANCHENG