

SPECIFICATIONS

Current Rating: 1A AC,DC

Voltage Rating: 100V AC,DC

Temperature Range: -25°C ~ +85°C

Contact Resistance: 20mΩ Max.

Insulation Resistance: 1000MΩ Min.

Withstanding Voltage: 800V AC/minute

Pin Material: Brass/Tin-plated

Material: Nylon 66,UL94V-0

Ordering Information & Dimensions

PART NO.	Dimensions	
	A	B
CT-02MR	2.00	5.96
CT-03MR	4.00	7.96
CT-04MR	6.00	9.96
CT-05MR	8.00	11.96
CT-06MR	10.00	13.96
CT-07MR	12.00	15.96
CT-08MR	14.00	17.96
CT-09MR	16.00	19.96
CT-10MR	18.00	21.96
CT-11MR	20.00	23.96
CT-12MR	22.00	25.96
CT-13MR	24.00	27.96
CT-14MR	26.00	29.96
CT-15MR	28.00	31.96

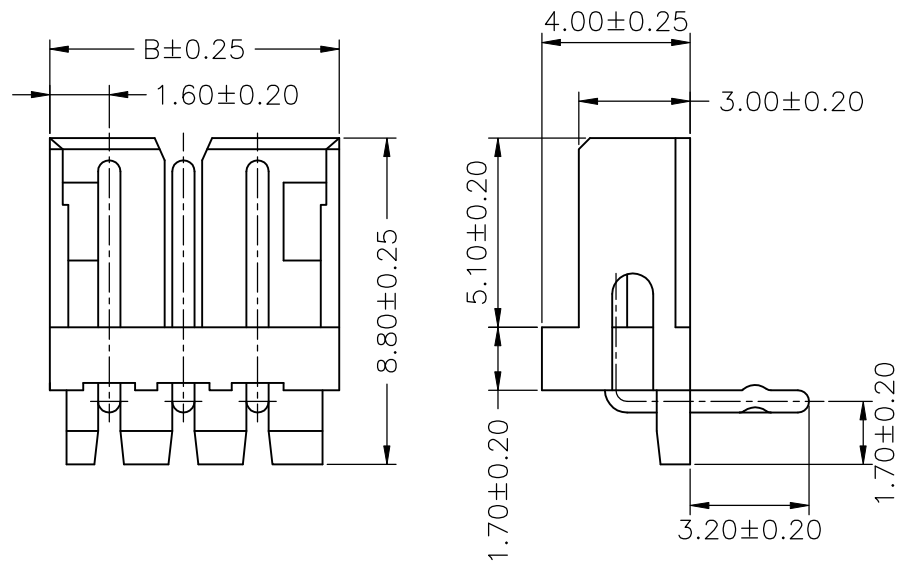
TOLERANCES ARE

.X ± 0.2

.XX ±

.XXX ±

AWG



DESCRIPTION: 2.00mm PITCH 90° WAFER

RoHS Compliant