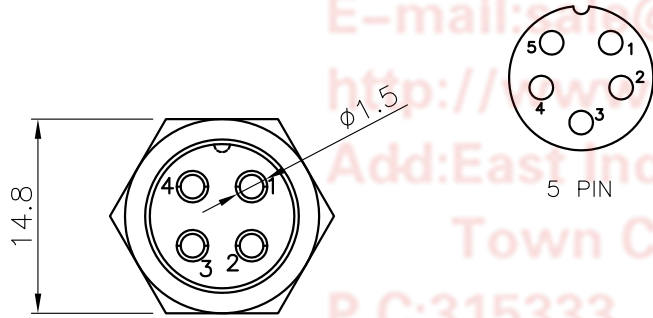
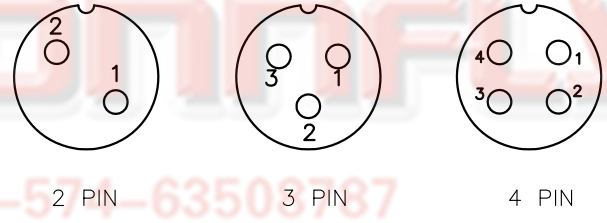
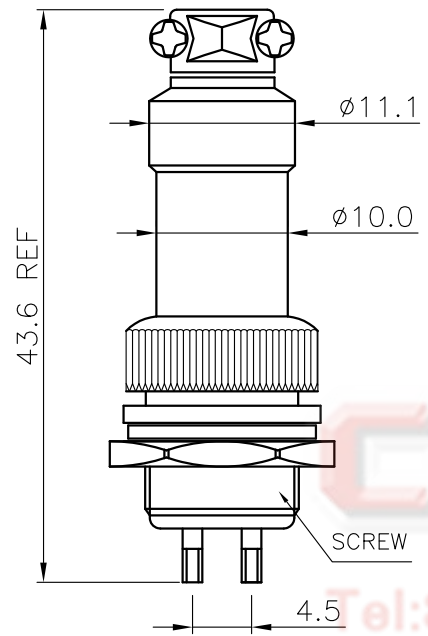


The information provided herein is from CONNELY Electronic Co., Ltd. and is confidential. Any disclosure to a party other than the recipient is prohibited. The intellectual properties and its rights contained herein, including but not limited to, trademarks, patents, copyrights, trade secrets, and technical know-how, are owned exclusively by CONNELY or its affiliates. Unauthorized use of this information in any format or manner. CONNELY may enforce its intellectual property rights at its own discretion; failures or delays to exercise such rights does not constitute a waiver of such rights.

1 2 3 4 5 6 7 8

| REV. | DESCRIPTION | DRAWN | CHECKED | APPROVED |
|------|------------------|---------------|---------------|---------------|
| A | NEW RELEASE | LL 07/18/06' | | LJC 07/18/06' |
| B | DRAWING UPDATE | JLZ 06/13/16' | HZW 06/13/16' | LJC 06/13/16' |
| C | ADD PLATING TYPE | JLZ 06/28/18' | | |



NOTES:

- SPECIFICATION
 - .CURRENT RATING: 5A Max.
 - .DIELECTRIC WITH STANDING VOLTAGE: 500V(AC)
 - .CONTACT RESISTANCE: 100mΩ Max.
 - .INSULATION RESISTANCE: 1000MΩ(DC)Min

2.PRODUCT NUMBER CODE:

DS1110-01 - X X X

- CONTACT PLATING
 - 6: SILVER
 - 8: GOLD FLASH
- COLOR OF HOUSING:
 - W: WHITE
 - B: BLACK
- No. OF CONTACTS
 - 2: 2pin 3: 3pin
 - 4: 4pin 5: 5pin

Tel:86-574-63509737
 Fax:86-574-63510817
 E-mail: sales@connfly.com
 http://www.connfly.com
 Add:East Industry Zone KuangYan
 Town Cixi Ningbo China
 P.C:315333

| GENERAL TOLERANCE | | ANGLE TOLERANCE | | PROJECTION | TITLE |
|-------------------|-------|-------------------|--------------|-------------------------------------------------------|-------------------------|
| X. | ±0.60 | X. | ±5° | | MICRO JACK CONNECTOR |
| .X | ±0.38 | .X | ±3° | mm | |
| .XX | ±0.25 | .XX | ±2° | A4 | SERIES DS1110-01 SERIES |
| DRAWING TYPE | | CUSTOMER | | 晨翔电子有限公司 CONNFLY CONNELY ELECTRONIC CO. LTD | |
| SCALE | | 1:1 | SHEET 1 OF 1 | | |
| DRAWING NO. | | C-DS1110-01-XXX-C | | | |

1 2 3 4 5 6 7 8