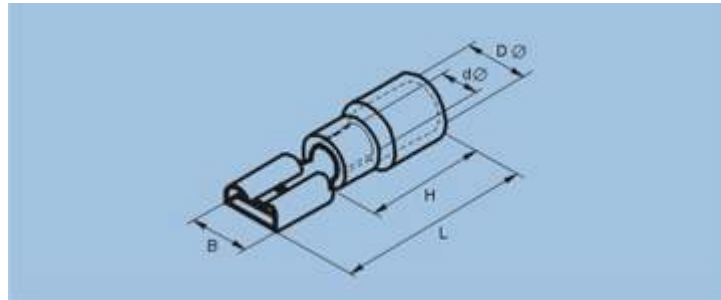




【 Insulated Female Terminals Size Drawing】



Cable Section : 0.5 ~ 1.5mm²(American Standard: 22 ~ 16) Max. Current : I_{max}=10A

Item No.	NEMA TAB	Thickness of material	Dimension				
			B	dφ	Dφ	L	H
	mm	mm	mm	mm	mm	mm	mm
FDD 1.25-110(5)	0.5×2.8	0.3	3.8	1.7	3.8	19.0	10.0
FDD 1.25-110(8)	0.8×2.8	0.3	3.8	1.7	3.8	19.0	
FDD 1.25-187(5)	0.5×4.75	0.35	5.6	1.7	3.8	19.0	
FDD 1.25-187(8)	0.8×4.75	0.35	5.6	1.7	3.8	19.0	
FDD 1.25-250	0.8×6.35	0.4	7.4	1.7	3.8	21.0	

Cable Section : 1.5 ~ 2.5mm²(Cable Section:16 ~ 14) Max. Current : I_{max}=15A

Item. No.	NEMA TAB	Thickness of material	Dimension				
			B	dφ	Dφ	L	H
	mm	mm	mm	mm	mm	mm	mm
FDD 2-110(5)	0.5×2.8	0.3	3.8	2.3	4.3	19.0	10.0
FDD 2-110(8)	0.8×2.8	0.3	3.8	2.3	4.3	19.0	
FDD 2-187(5)	0.5×4.75	0.35	5.6	2.3	4.3	19.0	
FDD 2-187(8)	0.8×4.75	0.35	5.6	2.3	4.3	19.0	
FDD 2-250	0.8×6.35	0.4	7.4	2.3	4.3	21.0	

Cable Section : 4 ~ 6mm²Cable Section:12 ~ 10) Max. Current : I_{max}=24A

Item No.	NEMA TAB	Thickness of material	Dimension				
			B	dφ	Dφ	L	H
	mm	mm	mm	mm	mm	mm	mm
FDD 5.5-250	0.8×6.35	0.4	7.4	3.4	5.7	25.0	12.5