

NPN SILICON PLANAR TRANSISTOR

2N1711



**TO-39
Metal Can Package**

N-P-N Double Diffused Transistor in a TO-39 Metal Package for a Wide Variety of Applications Such As d.c. and Wideband Amplifiers.

ABSOLUTE MAXIMUM RATINGS (Ta=25°C unless specified otherwise)

DESCRIPTION	SYMBOL	2N1711	UNITS
Collector Emitter Voltage(RBE<10Ω)	V_{CER}	130	V
Collector Base Voltage	V_{CBO}	75	V
Emitter Base Voltage	V_{EBO}	7.0	V
Collector Current(Peak Value)	I_{CM}	1.0	A
Power Dissipation @ Ta=25°C	P_{tot}	0.8	W
Power Dissipation@ Tc=100°C	P_{tot}	1.7	W
Power Dissipation@ Tc=25°C	P_{tot}	3	W
Junction Temperature	T_j	200	°C
Storage Temperature	Tstg	-65 to +200	°C
Lead Soldering Temperature >1.5mm from the seating plane;tsld<10s	Tsld	300	°C

ELECTRICAL CHARACTERISTICS (Ta=25° C unless specified otherwise)

DESCRIPTION	SYMBOL	TEST CONDITION	MIN	MAX	UNITS
Collector Emitter(Sus) Voltage	$BV_{CER(sus)}$	$I_C=100mA, I_B=0, R_{BE}<10\Omega$	50		V
Collector Base Breakdown Voltage	BV_{CBO}	$I_C=100\mu A, I_E=0$	75		V
Emitter Base Breakdown Voltage	BV_{EBO}	$I_E=100\mu A, I_C=0$	7		V
Collector Cut off Current	I_{CBO}	$V_{CB}=60V, I_E=0$		10	nA
		$V_{CB}=60V, I_E=0, Ta=150^\circ C$		10	μA
Emitter Cut off Current	I_{EBO}	$V_{EB}=5V, I_C=0$		5	nA
DC Current Gain	h_{FE}	$I_C=10\mu A, V_{CE}=10V$	20		
		$I_C=1mA, V_{CE}=10V$	35		
		$I_C=10mA, V_{CE}=10V^*$	75		
		$I_C=10mA, V_{CE}=10V,$ $Ta=-55^\circ C$	35		
		$I_C=150mA, V_{CE}=10V^*$	100	300	
		$I_C=500mA, V_{CE}=10V^*$	40		
Collector Emitter Saturation Voltage	$V_{CE(Sat)}$ *	$I_C=150mA, I_B=15mA$		0.5	V
Base Emitter Saturation Voltage	$V_{BE(Sat)}$ *	$I_C=150mA, I_B=15mA$		1.3	V

NPN SILICON PLANAR TRANSISTOR

2N1711



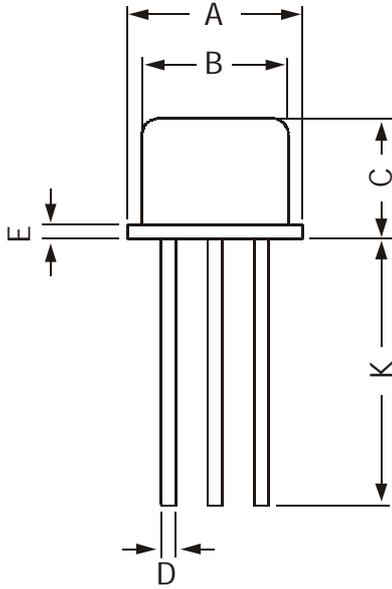
**TO-39
Metal Can Package**

ELECTRICAL CHARACTERISTICS (Ta=25°C unless specified otherwise)

DESCRIPTION	SYMBOL	TEST CONDITION	MIN	MAX	UNITS
<u>SMALL SIGNAL CHARACTERISTICS</u>					
Small Signal Current Gain	h _{fe}	I _C =1mA, V _{CE} =5V, I _C =5mA, V _{CE} =10V,	30 70	200 300	
Collector Capacitance	C _c	V _{CB} =10V, I _E =0, f=1MHz		25	pF
Emitter Capacitance	C _e	V _{CB} =0.5V, I _C =0, f=1MHz		80	pF
Transition Frequency	f _T	I _C =50mA, V _{CE} =10V f=20MHz	70		MHz
Noise Figure	NF	V _{CE} =10V, I _C =300μA, R _S =510Ω, B=1kHz		8.0	dB

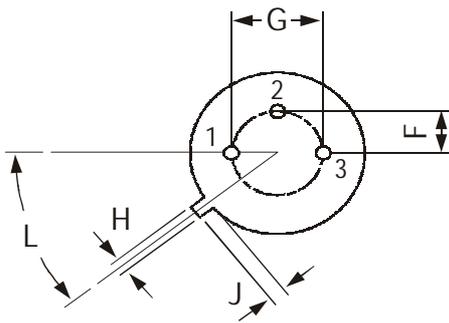
*** Measured under pulse conditions to avoid excessive dissipation : tp<300μs; Duty cycle<0.02**

TO-39 Metal Can Package



All dimensions are in mm

DIM	MIN	MAX
A	8.50	9.39
B	7.74	8.50
C	6.09	6.60
D	0.40	0.53
E	—	0.88
F	2.41	2.66
G	4.82	5.33
H	0.71	0.86
J	0.73	1.02
K	12.70	—
L	42 DEG	48 DEG



PIN CONFIGURATION
1. EMITTER
2. BASE
3. COLLECTOR

Packing Detail

PACKAGE	STANDARD PACK		INNER CARTON BOX		OUTER CARTON BOX		
	Details	Net Weight/Qty	Size	Qty	Size	Qty	Gr Wt
TO-39	500 pcs/polybag	540 gm/500 pcs	3" x 7.5" x 7.5"	20K	17" x 15" x 13.5"	32K	40 kgs

Disclaimer

The product information and the selection guides facilitate selection of the CDIL's Discrete Semiconductor Device(s) best suited for application in your product(s) as per your requirement. It is recommended that you completely review our Data Sheet(s) so as to confirm that the Device(s) meet functionality parameters for your application. The information furnished in the Data Sheet and on the CDIL Web Site/CD is believed to be accurate and reliable. CDIL however, does not assume responsibility for inaccuracies or incomplete information. Furthermore, CDIL does not assume liability whatsoever, arising out of the application or use of any CDIL product; neither does it convey any license under its patent rights nor rights of others. These products are not designed for use in life saving/support appliances or systems. CDIL customers selling these products (either as individual Discrete Semiconductor Devices or incorporated in their end products), in any life saving/support appliances or systems or applications do so at their own risk and CDIL will not be responsible for any damages resulting from such sale(s).

CDIL strives for continuous improvement and reserves the right to change the specifications of its products without prior notice.



CDIL is a registered Trademark of

Continental Device India Limited

C-120 Naraina Industrial Area, New Delhi 110 028, India.

Telephone + 91-11-2579 6150, 5141 1112 Fax + 91-11-2579 5290, 5141 1119

email@cdil.com www.cdilsemi.com