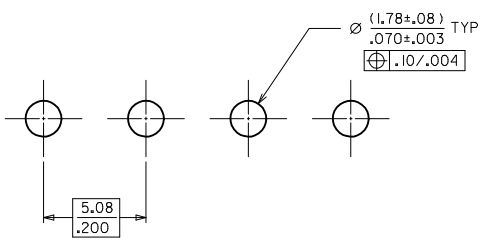
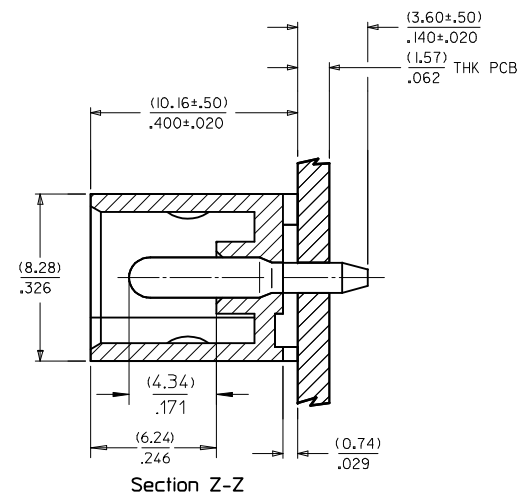
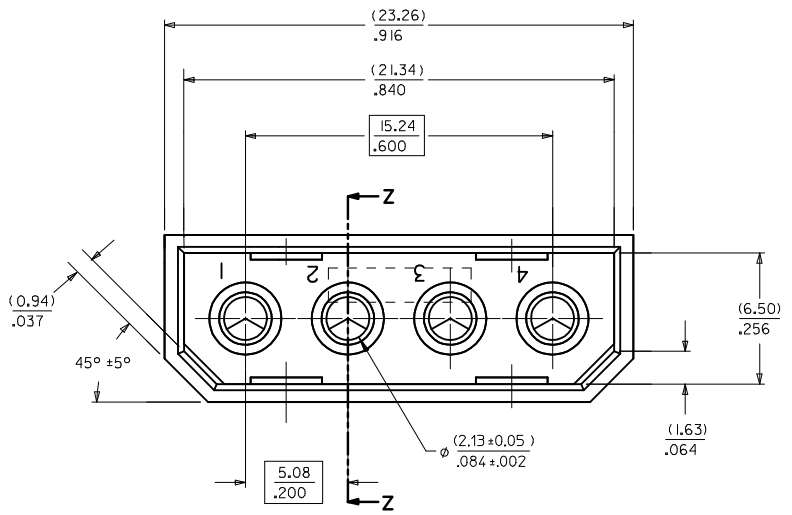


MAT'L NO.	ENG NO.
15-24-4449	A-8981-4V-LF



RECOMMENDED P C B HOLE LAYOUT

NOTES:

- PART TO MATE WITH HOUSING 8981-4P AND TERMINAL 8980-3*.
- PRODUCT SPEC. PS -8981-4V* APPLIES

MATERIAL :

HOUSING : NYLON 6/6, UNFILLED, 94V-2, COLOR - NATURAL (OFF-WHITE).
 TERMINAL : PHOSPHOR BRONZE, C51000
 PLATING : POSTPLATE (0.00254)/.000100 MIN. TIN OVER
 (0.00127)/.000050 MIN. NICKEL OVERALL

REMOVE MOIST BAG NOTE EC NO: S2012-0445 DRWN:SKANG 2011/12/07 CHKD:ATSEE 2012/01/05 APPR:MLONG 2012/01/10	QUALITY SYMBOLS = 0 = 0	GENERAL TOLERANCES (UNLESS SPECIFIED)		DIMENSION STYLE MM/IN		SCALE NTS	DESIGN UNITS METRIC	THIRD ANGLE PROJECTION		
			mm	INCH	DRAWN BY	DATE	TITLE			
		4 PLACES	± ---	± ---	TAY	1989/05/26	HEADER, 4 CKTS VERTICAL MOUNT			
		3 PLACES	± ---	± .008	CHECKED BY	DATE				
2 PLACES	± 0.20	± ---	NK	1989/05/26	MOLEX INCORPORATED					
1 PLACE	± ---	± ---	APPROVED BY	DATE						
	ANGULAR ± 3 °		AB	1989/05/26	MATERIAL NO. SEE TABLE		DOCUMENT NO. SDA-8981-4V		SHEET NO. 1 OF 1	
DRAFT WHERE APPLICABLE MUST REMAIN WITHIN DIMENSIONS		SIZE A3		THIS DRAWING CONTAINS INFORMATION THAT IS PROPRIETARY TO MOLEX INCORPORATED AND SHOULD NOT BE USED WITHOUT WRITTEN PERMISSION						