

F

E

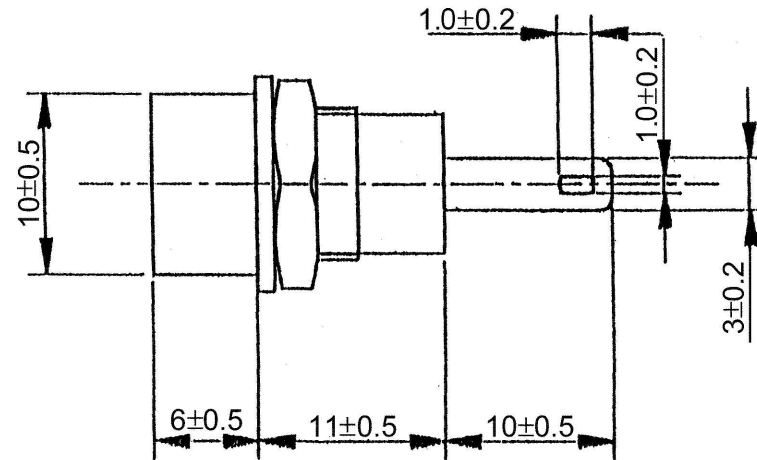
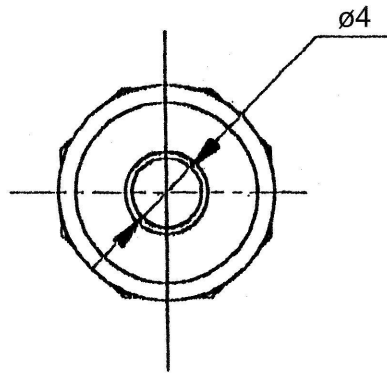
D

C

B

A

RoHS STANDARD



Technical requirement :

- 1 . This product should meet EU RoHS related requirement.
- 2 . The surface of plastic part should be without any crackle such as burr,lack,and so on phenomenon.
- 3 . The surface of metal part should be without any defect such as scour,nick,oxidation and plating problem.
- 4 . The electronic performance should be the same as spec.
- 5 . The un-specified tolerance is :  $0 \sim 1.5 \pm 0.1$   
 $1.5 \sim 20 \pm 0.2$

**Specification :**

Contact Resistance : 10M ohm Max  
 Insulation Resistance : 100M ohm Min At DC 500V  
 Withstand Voltage : AC 500V For One Minute

**DCI** DRAGON CITY INDUSTRIES LIMITED

PART NAME

BANANA JACK

TOLERANCE :  $\pm$ 

PART NO.

BP-022-EN

UNIT: MM

DESIGN

K.W LAW

REMARK

SCALE

DRAWING

W.K YEUNG

REMARK

MATERIAL

CHECK

K.L WONG

REMARK

DWG. NO.

A408111415

APPROVAL

K.W CHAN

REMARK

SHEET

F

E

D

C

B

A