



BTA/BTB24, BTA25, BTA26 and T25 Series

SNUBBERLESS™ & STANDARD

25A TRIACs

MAIN FEATURES:

| Symbol | Value | Unit |
|-------------------|-------------|------|
| $I_{T(RMS)}$ | 25 | A |
| V_{DRM}/V_{RRM} | 600 and 800 | V |
| $I_{GT}(Q_1)$ | 35 to 50 | mA |

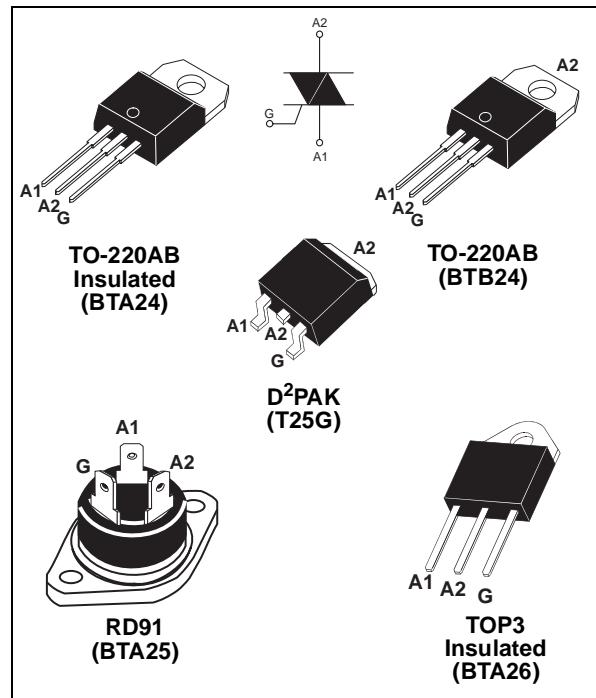
DESCRIPTION

Available either in through-hole or surface and T25 mount packages, the BTA/BTB24-25-26 triac series is suitable for general purpose AC power switching. They can be used as an ON/OFF function in applications such as static relays, heating regulation, water heaters, induction motor starting circuits...or for phase control operation in high power motor speed controllers, soft start circuits...The snubberless versions (BTA/BTB...W and T25 series) are specially recommended for use on inductive loads, thanks to their high commutation performances.

By using an internal ceramic pad, the BTA series provides voltage insulated tab (rated at 2500V RMS) complying with UL standards (File ref.: E81734).

ABSOLUTE MAXIMUM RATINGS

| Symbol | Parameter | | Value | Unit |
|--------------------|--|---|--------------------------------|------------------|
| $I_{T(RMS)}$ | RMS on-state current (full sine wave) | D ² PAK TO-220AB $T_c = 100^\circ\text{C}$ | 25 | A |
| | | RD91 TOP3 Ins. $T_c = 90^\circ\text{C}$ | | |
| | | TO-220AB Ins. $T_c = 75^\circ\text{C}$ | | |
| I_{TSM} | Non repetitive surge peak on-state current (full cycle, T_j initial = 25°C) | F = 60 Hz t = 16.7 ms | 260 | A |
| | | F = 50 Hz t = 20 ms | 250 | |
| I_t^2 | I_t^2 Value for fusing | tp = 10 ms | 340 | A ² s |
| di/dt | Critical rate of rise of on-state current $I_G = 2 \times I_{GT}$, tr ≤ 100 ns | F = 120 Hz $T_j = 125^\circ\text{C}$ | 50 | A/μs |
| V_{DSM}/V_{RSM} | Non repetitive surge peak off-state voltage | tp = 10 ms $T_j = 25^\circ\text{C}$ | $V_{DRM}/V_{RRM} + 100$ | V |
| I_{GM} | Peak gate current | tp = 20 μs $T_j = 125^\circ\text{C}$ | 4 | A |
| $P_{G(AV)}$ | Average gate power dissipation | $T_j = 125^\circ\text{C}$ | 1 | W |
| T_{stg} T_j | Storage junction temperature range Operating junction temperature range | | - 40 to + 150 - 40 to + 125 | °C |



BTA/BTB24, BTA25, BTA26 and T25 Series

ELECTRICAL CHARACTERISTICS (T_j = 25°C, unless otherwise specified)

■ SNUBBERLESS™ (3 Quadrants) T25-G, BTA/BTB24...W, BTA25...W, BTA26...W

| Symbol | Test Conditions | Quadrant | | T25 | BTA/BTB | | Unit |
|--------------------------|--|--------------|------|-------|---------|------|------|
| | | | | T2535 | CW | BW | |
| I _{GT} (1) | V _D = 12 V R _L = 33 Ω | I - II - III | MAX. | 35 | 35 | 50 | mA |
| V _{GT} | | I - II - III | MAX. | 1.3 | | | V |
| V _{GD} | V _D = V _{DRM} R _L = 3.3 kΩ T _j = 125°C | I - II - III | MIN. | 0.2 | | | V |
| I _H (2) | I _T = 500 mA | | MAX. | 50 | 50 | 75 | mA |
| I _L | I _G = 1.2 I _{GT} | I - III | MAX. | 70 | 70 | 80 | mA |
| | | II | | 80 | 80 | 100 | |
| dV/dt (2) | V _D = 67 % V _{DRM} gate open T _j = 125°C | | MIN. | 500 | 500 | 1000 | V/μs |
| (dI/dt) _c (2) | Without snubber T _j = 125°C | | MIN. | 13 | 13 | 22 | A/ms |

■ STANDARD (4 Quadrants): BTB24...B, BTA25...B, BTA26...B

| Symbol | Test Conditions | Quadrant | | Value | Unit |
|--------------------------|--|--------------------|------|-----------|------|
| I _{GT} (1) | V _D = 12 V R _L = 33 Ω | I - II - III IV | MAX. | 50 100 | mA |
| V _{GT} | | ALL | MAX. | 1.3 | V |
| V _{GD} | V _D = V _{DRM} R _L = 3.3 kΩ T _j = 125°C | ALL | MIN. | 0.2 | V |
| I _H (2) | I _T = 500 mA | | MAX. | 80 | mA |
| I _L | I _G = 1.2 I _{GT} | I - III - IV | MAX. | 70 | mA |
| | | II | | 160 | |
| dV/dt (2) | V _D = 67 % V _{DRM} gate open T _j = 125°C | | MIN. | 500 | V/μs |
| (dI/dt) _c (2) | (dI/dt) _c = 13.3 A/ms T _j = 125°C | | MIN. | 10 | V/μs |

STATIC CHARACTERISTICS

| Symbol | Test Conditions | | Value | Unit |
|--------------------------------------|-------------------------------------|------------------------|-------|--------|
| V _{TM} (2) | I _{TM} = 35 A tp = 380 μs | T _j = 25°C | MAX. | 1.55 V |
| V _{to} (2) | Threshold voltage | T _j = 125°C | MAX. | 0.85 V |
| R _d (2) | Dynamic resistance | T _j = 125°C | MAX. | 16 mΩ |
| I _{DRM} I _{RPM} | V _{DRM} = V _{RPM} | T _j = 25°C | MAX. | 5 μA |
| | | T _j = 125°C | | 3 mA |

Note 1: minimum I_{GT} is guaranteed at 5% of I_{GT} max.

Note 2: for both polarities of A2 referenced to A1

BTA/BTB24, BTA25, BTA26 and T25 Series

THERMAL RESISTANCES

| Symbol | Parameter | | Value | Unit | |
|---------------|-----------------------|------------------------------------|--------------------|------|------|
| $R_{th(j-c)}$ | Junction to case (AC) | D ² PAK TO-220AB | 0.8 | °C/W | |
| | | RD91 (Insulated) TOP3 Insulated | 1.1 | | |
| | | TO-220AB Insulated | 1.7 | | |
| $R_{th(j-a)}$ | Junction to ambient | S = 1 cm ² | D ² PAK | 45 | °C/W |
| | | | TOP3 Insulated | 50 | |
| | | | TO-220AB | 60 | |
| | | | TO-220AB Insulated | | |

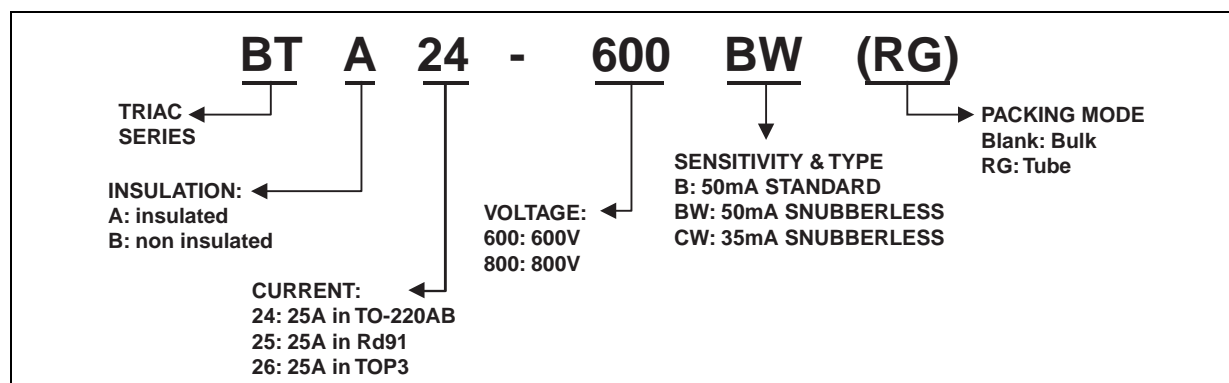
S: Copper surface under tab

PRODUCT SELECTOR

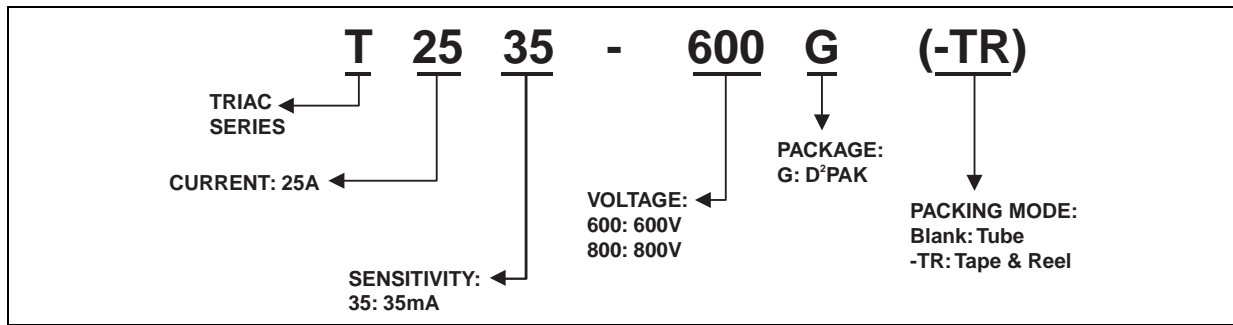
| Part Number | Voltage (xxx) | | Sensitivity | Type | Package |
|-----------------|---------------|-------|-------------|-------------|--------------------|
| | 600 V | 800 V | | | |
| BTB24-xxxB | X | X | 50 mA | Standard | TO-220AB |
| BTA/BTB24-xxxBW | X | X | 50 mA | Snubberless | TO-220AB |
| BTA/BTB24-xxxCW | X | X | 35 mA | Snubberless | TO-220AB |
| BTA25-xxxB | X | X | 50 mA | Standard | RD-91 |
| BTA25-xxxBW | X | X | 50 mA | Snubberless | RD-91 |
| BTA25-xxxCW | X | X | 35 mA | Snubberless | RD-91 |
| BTA26-xxxB | X | X | 50 mA | Standard | TOP3 Ins. |
| BTA26-xxxBW | X | X | 50 mA | Snubberless | TOP3 Ins. |
| BTA26-xxxCW | X | X | 35 mA | Snubberless | TOP3 Ins. |
| T2535-xxxG | X | X | 35 mA | Snubberless | D ² PAK |

BTB: Non insulated TO-220AB package

ORDERING INFORMATION



BTA/BTB24, BTA25, BTA26 and T25 Series



OTHER INFORMATION

| Part Number | Marking | Weight | Base quantity | Packing mode |
|-------------------|-----------------|--------|---------------|--------------|
| BTA/BTB24-xxxyz | BTA/BTB24xxxyz | 2.3 g | 250 | Bulk |
| BTA/BTB24-xxxyzRG | BTA/BTB24-xxxyz | 2.3 g | 50 | Tube |
| BTA25-xxxyz | BTA25xxxyz | 20 g | 25 | Bulk |
| BTA26-xxxyz | BTA26xxxyz | 4.5 g | 120 | Bulk |
| T2535-xxxG | T2535xxxG | 1.5 g | 50 | Tube |
| T2535-xxxG-TR | T2535xxxG | 1.5 g | 1000 | Tape & reel |

Note: xxx= voltage, y = sensitivity, z = type

Fig. 1: Maximum power dissipation versus RMS on-state current (full cycle).

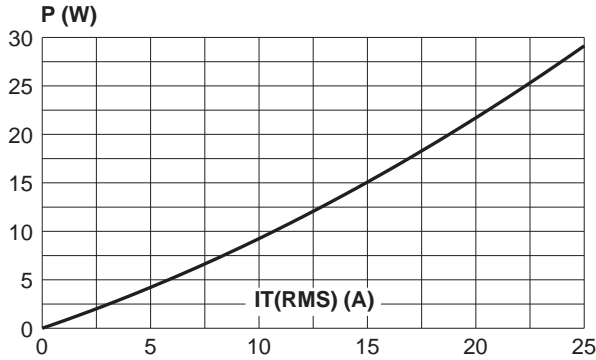


Fig. 2-1: RMS on-state current versus case temperature (full cycle).

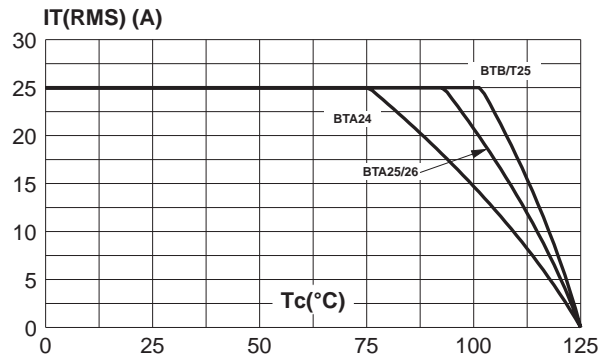


Fig. 2-2: D²PAK RMS on-state current versus ambient temperature (printed circuit board FR4, copper thickness: 35 μm), full cycle.

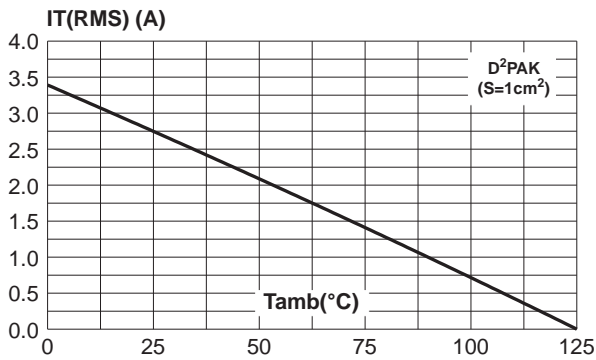


Fig. 3: Relative variation of thermal impedance versus pulse duration.

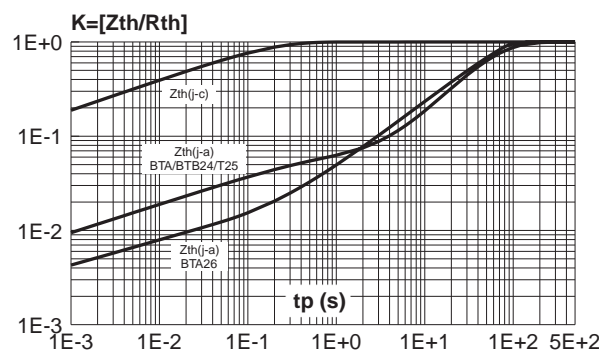


Fig. 4: On-state characteristics (maximum values).

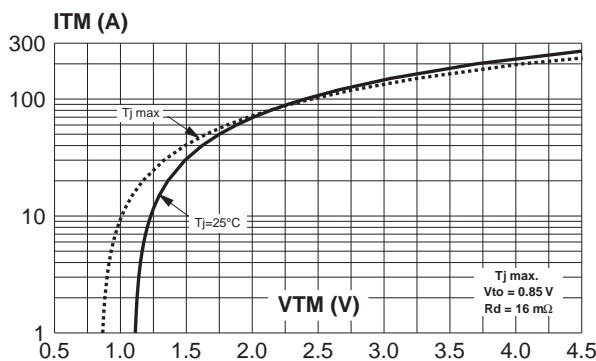


Fig. 5: Surge peak on-state current versus number of cycles.

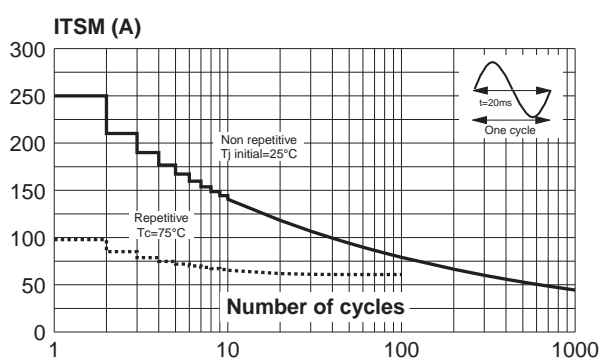


Fig. 6: Non-repetitive surge peak on-state current for a sinusoidal pulse with width $t_p < 10\text{ms}$, and corresponding value of I^2t .

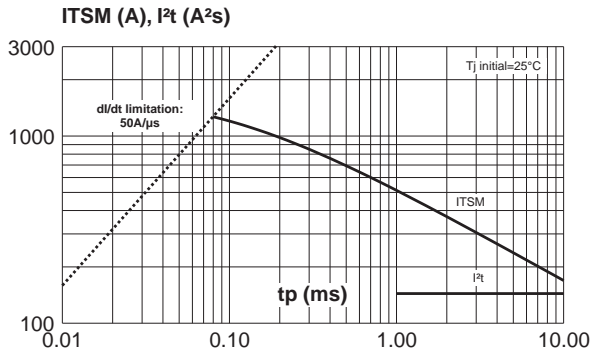


Fig. 8: Relative variation of critical rate of decrease of main current versus $(dV/dt)_c$ (typical values).

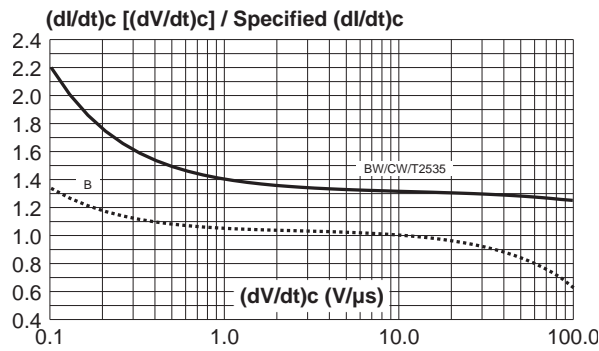


Fig. 10: D²PAK Thermal resistance junction to ambient versus copper surface under tab (printed circuit board FR4, copper thickness: 35 μ m).

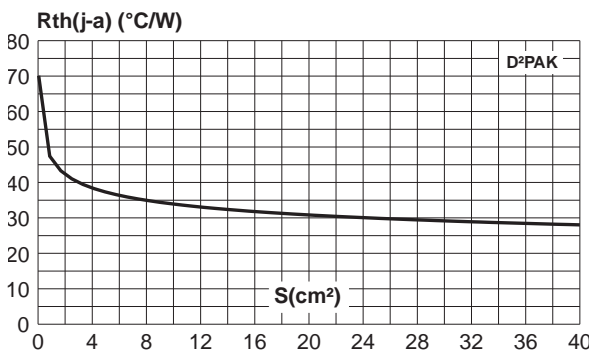


Fig. 7: Relative variation of gate trigger current, holding current and latching current versus junction temperature (typical values).

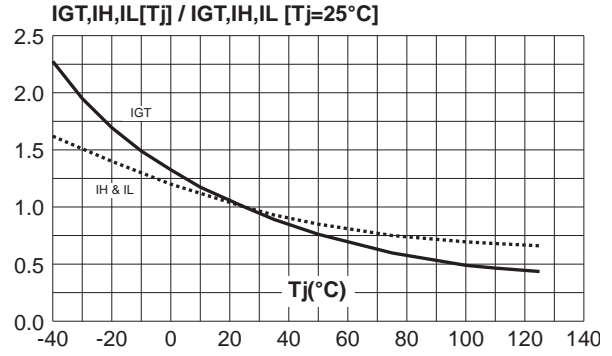
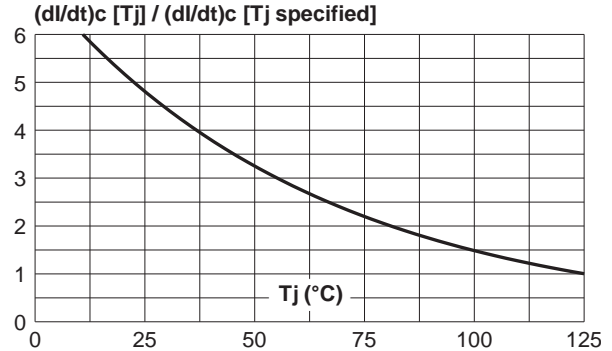
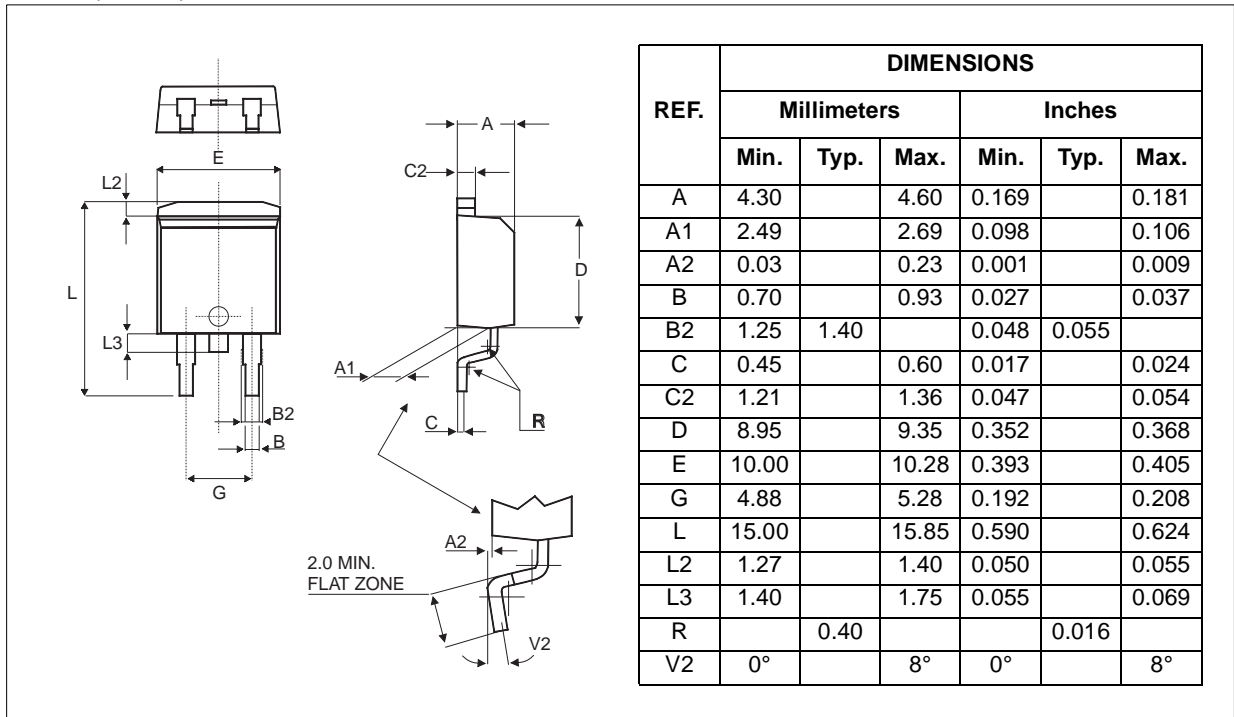


Fig. 9: Relative variation of critical rate of decrease of main current versus junction temperature.



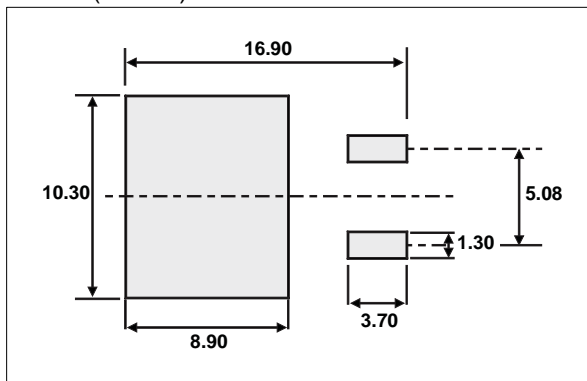
PACKAGE MECHANICAL DATA

D²PAK (Plastic)



FOOTPRINT DIMENSIONS (in millimeters)

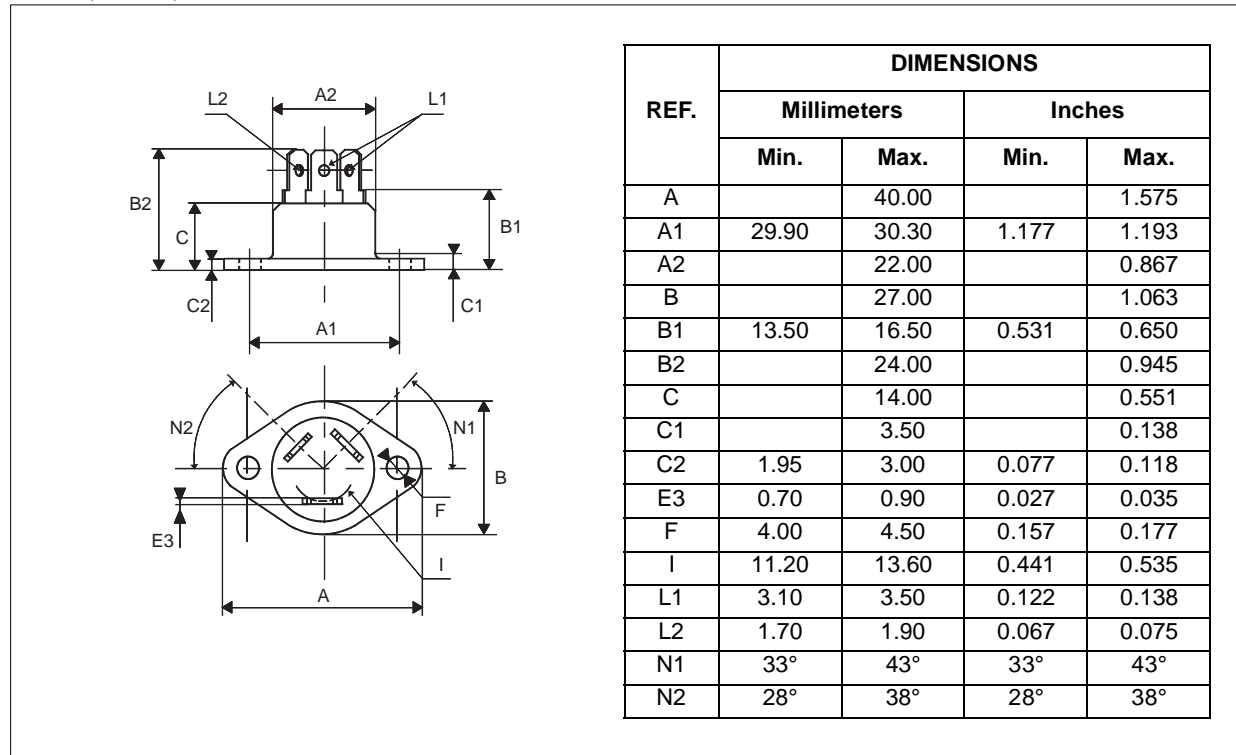
D²PAK (Plastic)



BTA/BTB24, BTA25, BTA26 and T25 Series

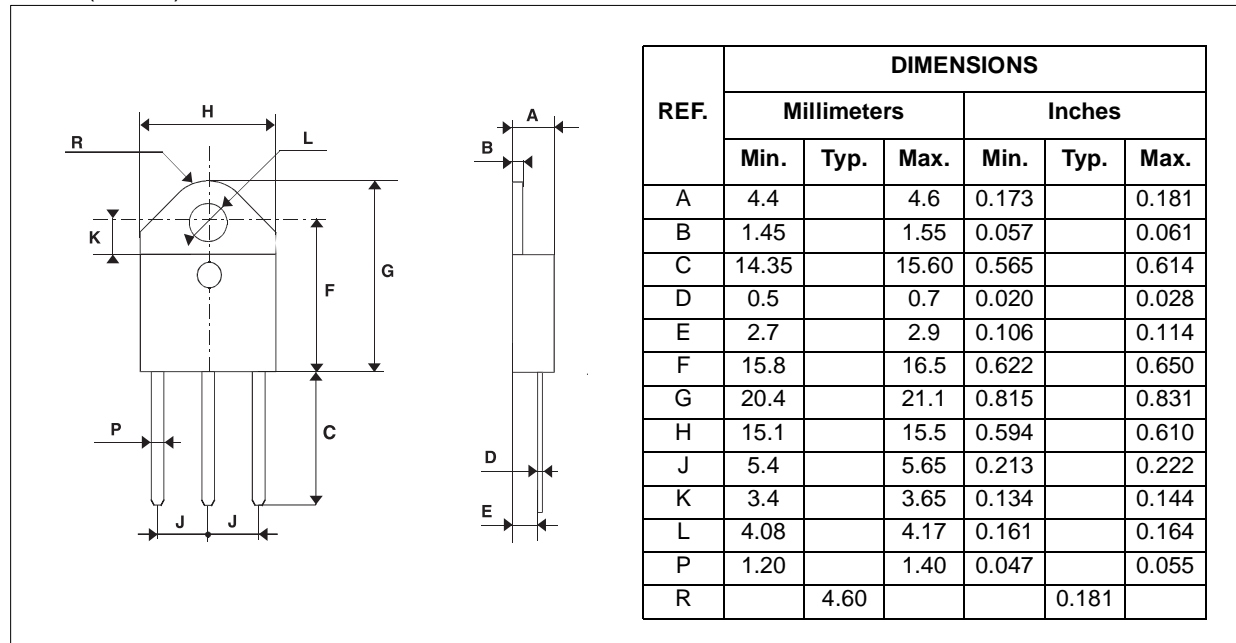
PACKAGE MECHANICAL DATA

RD91 (Plastic)



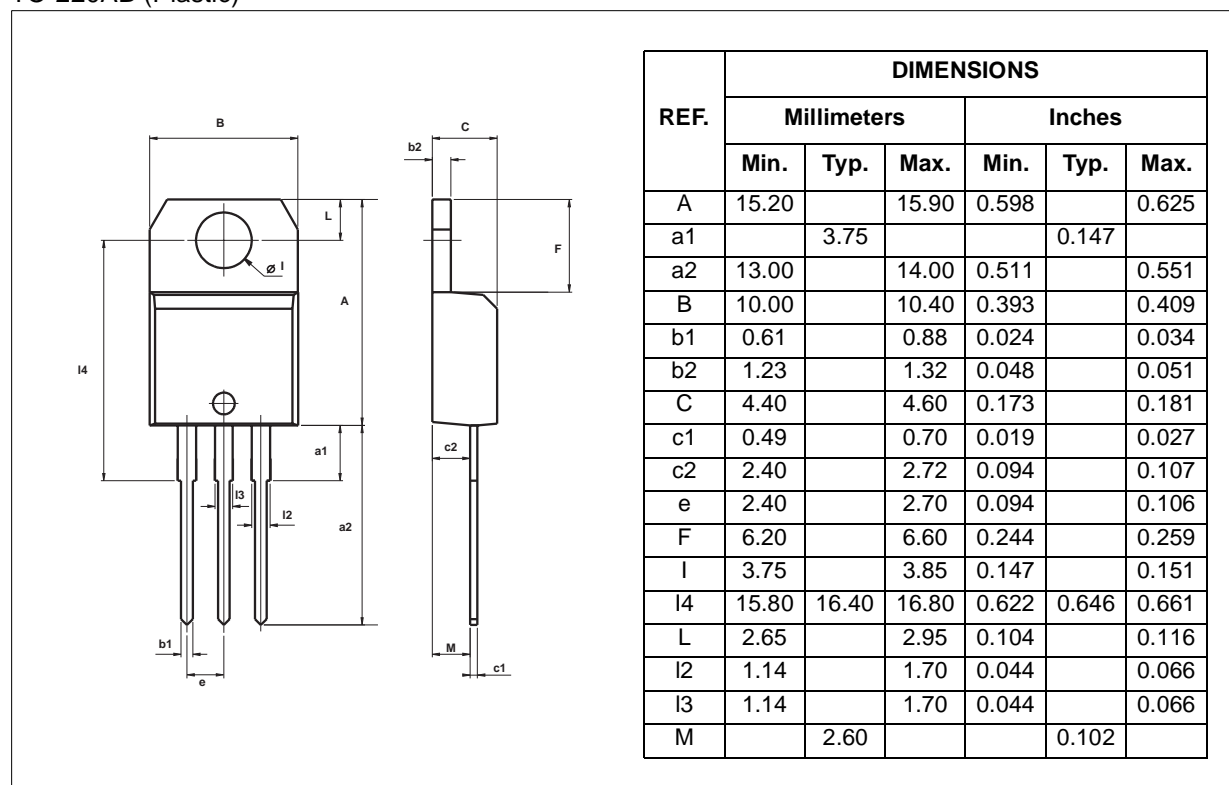
PACKAGE MECHANICAL DATA

TOP3 (Plastic)



PACKAGE MECHANICAL DATA

TO-220AB (Plastic)



Information furnished is believed to be accurate and reliable. However, STMicroelectronics assumes no responsibility for the consequences of use of such information nor for any infringement of patents or other rights of third parties which may result from its use. No license is granted by implication or otherwise under any patent or patent rights of STMicroelectronics. Specifications mentioned in this publication are subject to change without notice. This publication supersedes and replaces all information previously supplied. STMicroelectronics products are not authorized for use as critical components in life support devices or systems without express written approval of STMicroelectronics.

© The ST logo is a registered trademark of STMicroelectronics

© 2002 STMicroelectronics - Printed in Italy - All Rights Reserved

STMicroelectronics GROUP OF COMPANIES
 Australia - Brazil - Canada - China - Finland - France - Germany
 Hong Kong - India - Israel - Italy - Japan - Malaysia - Malta - Morocco - Singapore
 Spain - Sweden - Switzerland - United Kingdom - United States.

<http://www.st.com>



This datasheet has been download from:

www.datasheetcatalog.com

Datasheets for electronics components.