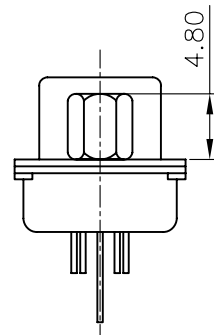
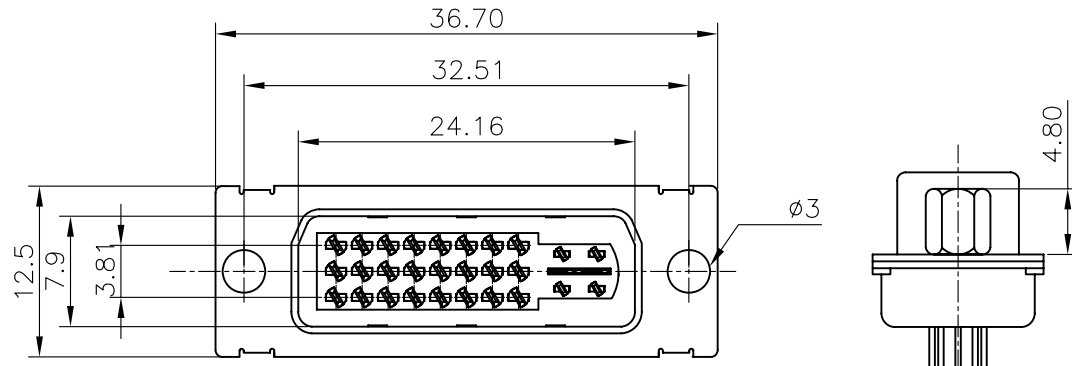


REV.	DESCRIPTION	DRAWN	CHECKED	APPROVED
A	NEW RELEASE	LL 12/02/06'		



#4-40(UNC) SCREW

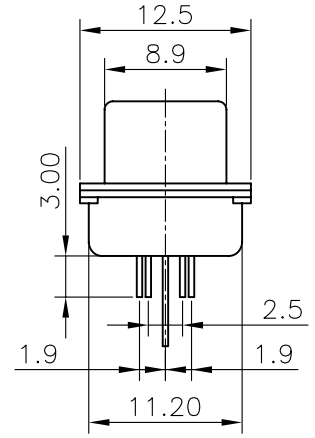
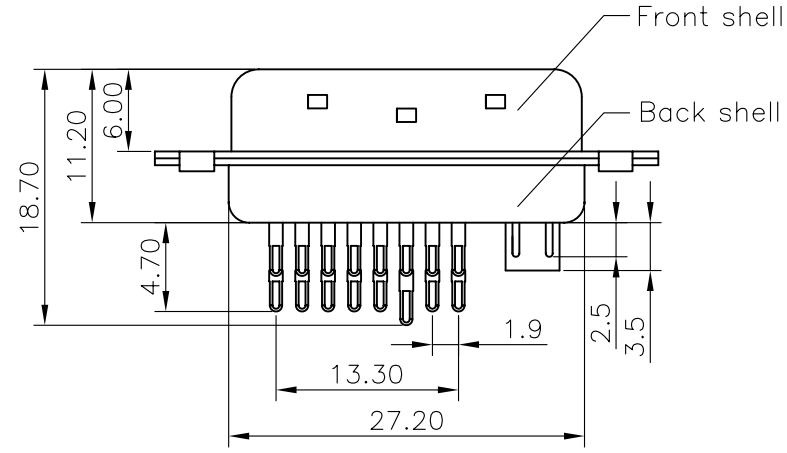
NOTES:

- SPECIFICATIONS
  - Contact Resistance: 30mΩ max
  - Insulation Resistance: 1000MΩ min.
  - Current Rating: 1A
  - Dielectric withstanding voltage: AC 500V For 1 minute
  - Contact: Copper alloy.
  - Housing: Thermoplastic(UL 94V-0)
  - Resistance to soldering heat: 260±5°C 5±0.5s.

2. PRODUCT NUMBER CODE:

DS1089 - X X X X

- SCREW TYPE
- X:W/O SCREW
- S:W/ #4-40(UNC) SCREW
- Contact plating
- 0: Selective gold flash
- Shell plating
- N: Front shell Nickel,Back shell Tin
- T: Front & back shell Tin
- Color of housing
- W: WHITE
- K: BLACK
- V: Ivory



GENERAL TOLERANCE		ANGLE TOLERANCE		PROJECTION	TITLE
X.	±0.60	X.	±5°	mm	DVI PLUG 24+5
.X	±0.38	.X	±3°	A4	SERIES DS1089 RoHS SERIES
.XX	±0.25	.XX	±2°	DVI-29M 1088	
DRAWING TYPE	CUSTOMER				
SCALE	1:1	SHEET	1 OF 1		
DRAWING NO.	C-DS1089-XXXX				