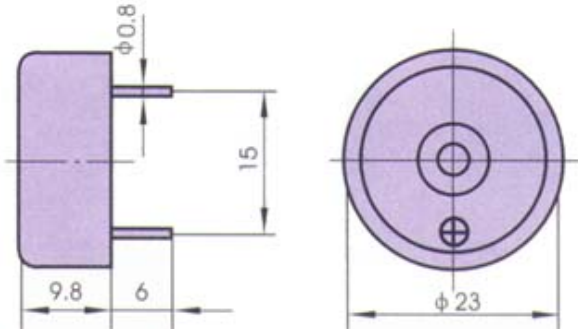
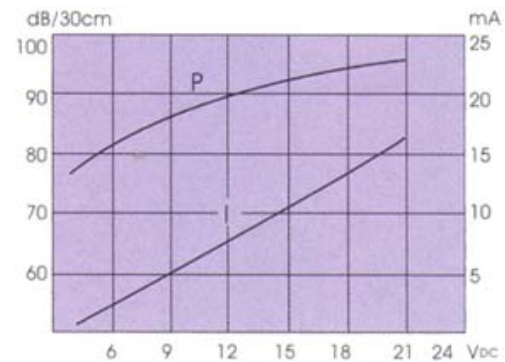




- **EFM-260 ( 260A )**

**FEATURES:**

- Small size
- Low height and light weight
- Easy mounting
- High reliability

**DIMENSIONS: (Unit: mm)****CHARACTERISTICS:****ELECTRICAL SPECIFICATIONS :**

Model No.	EFM-260	EFM-260A
Min. Sound Pressure Level (dB)	85 /12V <sub>DC</sub> /30cm	85 /24V <sub>DC</sub> /30cm
Rated Voltage (V <sub>DC</sub> )	12	24
Operating Voltage (V <sub>DC</sub> )	3 ~ 24	12 ~ 36
Max. Consumption (mA)	12/12V <sub>DC</sub>	12/24V <sub>DC</sub>
Oscillating Frequency (kHz)	3.5 ± 0.5	
Tone Nature	Continuous	
Operating Temperature (°C)	-20 ~ +70	
Weight (g)	4.3	
Case Material/Colour	PC/Black	

**PACKING INFORMATION :**

Packing :	2400 pcs per export carton
Carton Size :	47 X 30.5 X 35 cm
G. Weight :	12.1 kgs
N. Weight :	10.5 kgs