

Basic Switch

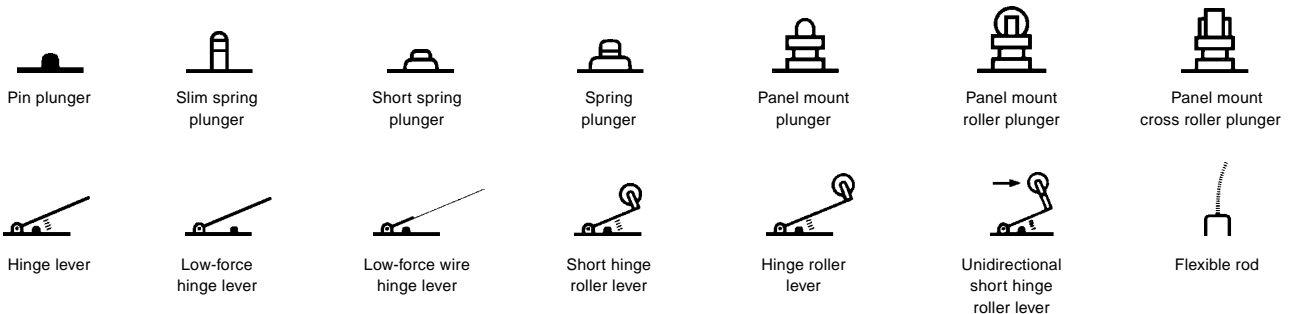
Z

General Purpose Basic Switch

- High precision basic switch in a variety of styles
- Wide margins of operating conditions increase the operating speed range
- Available in general purpose and drip-proof types



Ordering Information

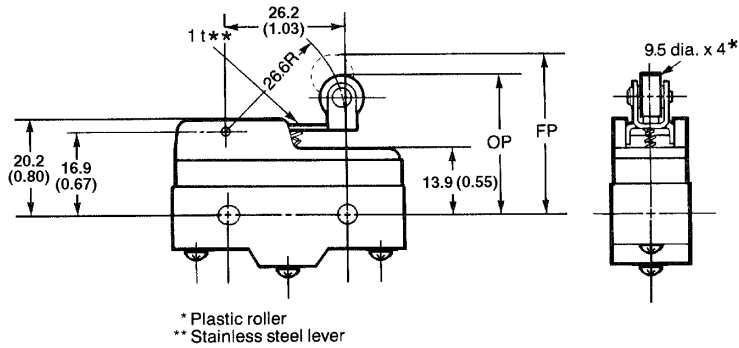


GENERAL PURPOSE TYPE

Standard

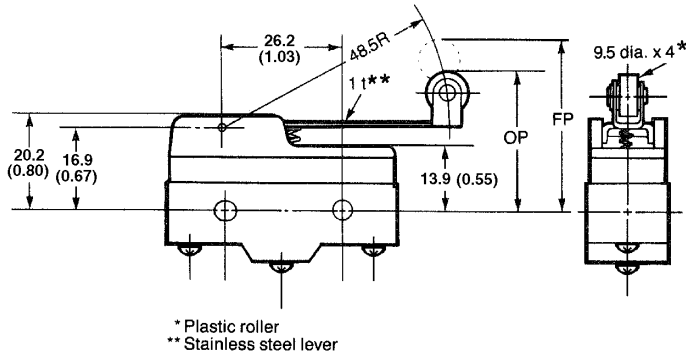
Actuator	Operating Characteristics	Rated Current	Part Number	
			Solder Terminal	Screw Terminal
Pin plunger		15 A	Z-15G	Z-15G-B
Slim spring plunger		15 A	Z-15GS	Z-15GS-B
Short spring plunger	Low OP	15 A	Z-15GD	Z-15GD-B
Panel mount plunger	Middle OP	15 A	Z-15GQ	Z-15GQ-B
Panel mount roller plunger		15 A	Z-15GQ22	Z-15GQ22-B
Panel mount cross roller plunger		15 A	Z-15GQ21	Z-15GQ21-B
Hinge lever	Low OF	15 A	Z-15GW	Z-15GW-B
Low-force hinge lever		15 A	Z-15GW4	Z-15GW4-B
Short hinge roller lever		15 A	Z-15GW22	Z-15GW22-B
Hinge roller lever	Parallel	15 A	Z-15GW2	Z-15GW2-B
Unidirectional short hinge roller lever	Low OF	15 A	Z-15GW2277	Z-15GW2277-B

Z-15GW22-B, Z-15HW22-B



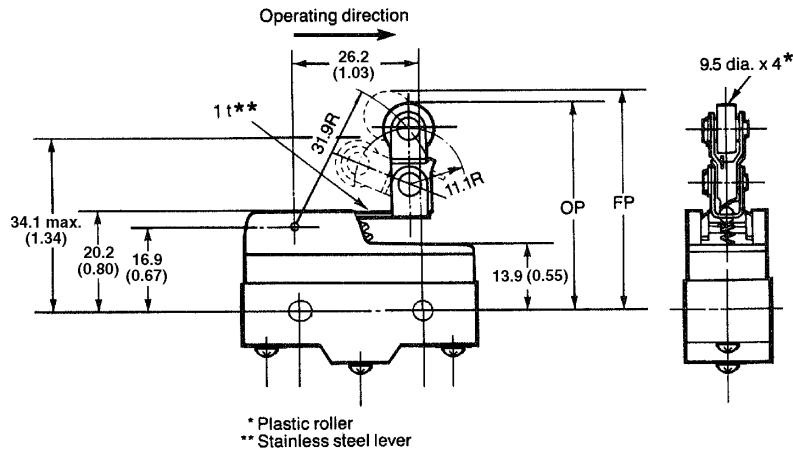
Operating characteristics	Z-15GW22-B	Z-15HW22-B
OF max.	160 g	150 g
RF min.	42 g	42 g
OT min.	2.4 mm (0.09)	2.4 mm (0.09)
MD max.	0.5 mm (0.02)	0.45 mm (0.02)
FP max.	32.5 mm (1.28)	32.5 mm (1.28)
OP	30.2 ± 0.4 mm (1.19 ± 0.02)	30.2 ± 0.4 mm (1.19 ± 0.02)

Z-15GW2-B



Operating characteristics	Z-15GW2-B
OF max.	100 g
RF min.	22 g
OT min.	4 mm (0.16)
MD max.	1.02 mm (0.04)
FP max.	36.5 mm (1.44)
OP	30.2 ± 0.8 mm (1.19 ± 0.03)

Z-15GW2277-B



Operating characteristics	Z-15GW2277-B
OF max.	170 g
RF min.	42 g
OT min.	2.4 mm (0.09)
MD max.	0.51 mm (0.02)
FP max.	43.6 mm (1.72)
OP	41.3 ± 0.8 mm (1.63 ± 0.03)

- Note: 1. Unless otherwise specified, a tolerance of ± 0.4 mm applies to all dimensions.
 2. For smaller diameter mounting holes, please consult OMRON.
 3. All drawings show the switches with screw terminals. For solder terminals, remove the "-B" from the end of the part number.