

**FEATURES**

- ※Low profile for space saving
- ※Gold contact for high reliability
- ※Top tape type for washing process

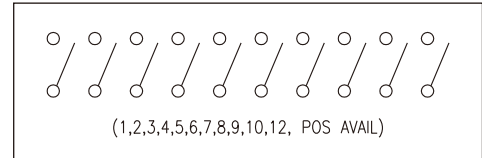
**APPLICATION**

- ※Industrial control
- ※Automatic machines control
- ※Telecommunication

**SPECIFICATION**

|                       |                    |
|-----------------------|--------------------|
| Contact Rating        | 25mA, 24V DC       |
| Contact Resistance    | 50mΩ max.          |
| Insulation Resistance | 100MΩ min. 500V DC |
| Dielectric Strength   | 500V AC/1 minute   |
| Operating Force       | 1,000gf max.       |
| Travel                | 1mm                |
| Operating Life        | 2,000 cycles       |
| Operating Temp.       | -20°C ~ +85°C      |
| Storage Temp.         | -40°C ~ +85°C      |

**CIRCUIT**

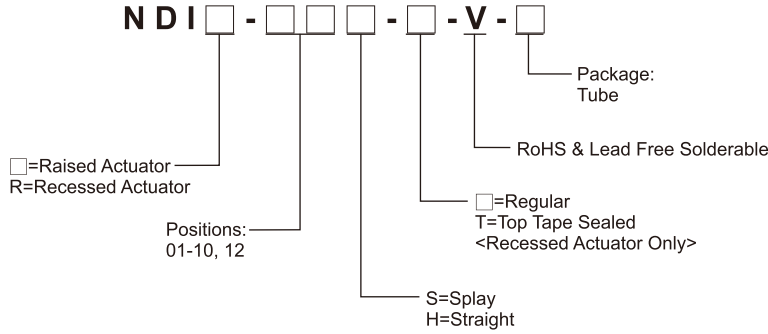


**PACKAGE**

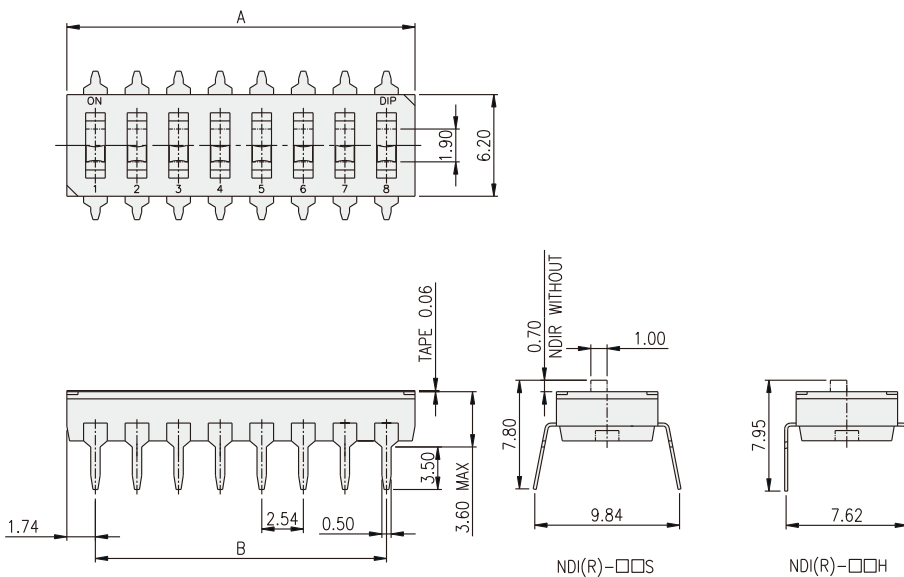
- <Tube>**
- NDI(R)-01: 130 pcs
  - NDI(R)-02: 76 pcs
  - NDI(R)-03: 55 pcs
  - NDI(R)-04: 42 pcs
  - NDI(R)-05: 35 pcs
  - NDI(R)-06: 28 pcs
  - NDI(R)-07: 25 pcs
  - NDI(R)-08: 22 pcs
  - NDI(R)-09: 20 pcs
  - NDI(R)-10: 18 pcs
  - NDI(R)-12: 15 pcs

DIP SWITCH

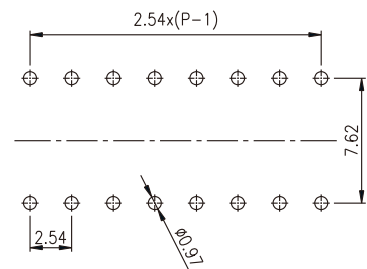
**HOW TO ORDER**



**NDI(R)**



| PART NO.  | NO. OF POS. | DIM.A | DIM.B |
|-----------|-------------|-------|-------|
| NDI(R)-01 | 1           | 3.48  |       |
| NDI(R)-02 | 2           | 6.02  | 2.54  |
| NDI(R)-03 | 3           | 8.56  | 5.08  |
| NDI(R)-04 | 4           | 11.10 | 7.62  |
| NDI(R)-05 | 5           | 13.64 | 10.16 |
| NDI(R)-06 | 6           | 16.18 | 12.70 |
| NDI(R)-07 | 7           | 18.72 | 15.24 |
| NDI(R)-08 | 8           | 21.26 | 17.78 |
| NDI(R)-09 | 9           | 23.80 | 20.32 |
| NDI(R)-10 | 10          | 26.34 | 22.86 |
| NDI(R)-12 | 12          | 31.42 | 27.94 |



P.C.B. LAYOUT