

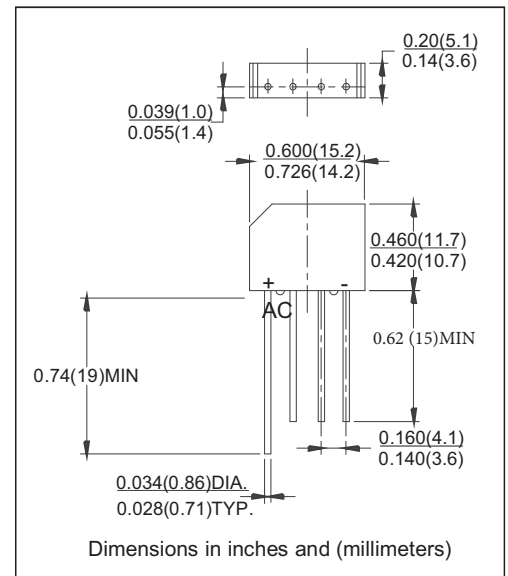
SINGLE PHASE GLASS PASSIVATED BRIDGE RECTIFIER

FEATURES

- Glass Passivated Chip Junction
- This series in UL recognized
- High forward surge current capacity
- Ideal for printed circuit board
- High temperature soldering guaranteed: 260°C / 10 seconds, 0.375”(9.5mm) lead length at 5 lbs. (2.3kg) tension.

MECHANICAL DATA

- Case: Transfer molded plastic
- Terminal: Lead solderable per MIL-STD-202E method 208C
- Polarity: Polarity symbols marked on case
- Mounting position: Any.
- Weight: 0.069 ounce, 1.95gram



MAXIMUM RATINGS AND ELECTRICAL CHARACTERISTICS

- Ratings at 25 °C ambient temperature unless otherwise specified Single Phase, half wave, 60Hz, resistive or inductive load For capacitive load derate current by 20%

	SYMBOLS	RS201 KBP005	RS202 KBP01	RS203 KBP02	RS204 KBP04	RS205 KBP06	RS206 KBP08	RS207 KBP10	UNIT
Maximum Repetitive Peak Reverse Voltage	V_{RRM}	50	100	200	400	600	800	1000	Volts
Maximum RMS Voltage	V_{RMS}	35	70	140	280	420	560	700	Volts
Maximum DC Blocking Voltage	V_{DC}	50	100	200	400	600	800	1000	Volts
Maximum Average Forward Rectified Output Current, at $T_A=50^\circ\text{C}$ (Note2)	$I_{(AV)}$	2.0							Amps
Peak Forward Surge Current 8.3mS single half sine wave superimposed on rated load (JEDEC method)	I_{FSM}	60							Amps
Rating for Fusing ($t<8.3\text{mS}$)	I^2t	10							A^2s
Maximum Instantaneous Forward Voltage Drop per Bridge element at 1.0 A	V_F	1.0							Volts
Maximum DC Reverse Current at Rated DC Blocking Voltage per element	$T_A = 25^\circ\text{C}$	5							μA
	$T_A = 100^\circ\text{C}$	0.5							mA
Typical Junction Resistance per element(Note1)	C_j	20							$^\circ\text{C}/\text{W}$
Typical Thermal Resistance per element (Note2)	$R_{\theta JA}$	28							$^\circ\text{C}/\text{W}$
Operating and Storage Temperature Rang	$T_{STG} . T_J$	-55 to +150							$^\circ\text{C}$

Notes:

1. Measured at 1.0 MHz and applied reverse voltage of 4.0 Volts.
2. Unit mounted on P.C.board with 0.47”x0.47”(12x12cm) copper pads.0.375”(9.5mm) lead length.

SINGLE PHASE GLASS PASSIVATED BRIDGE RECTIFIER

RATING AND CHARACTERISTIC CURVES RS201 - RS207

FIG.1- DERATING CURVE FOR OUTPUT RECTIFIED CURRENT

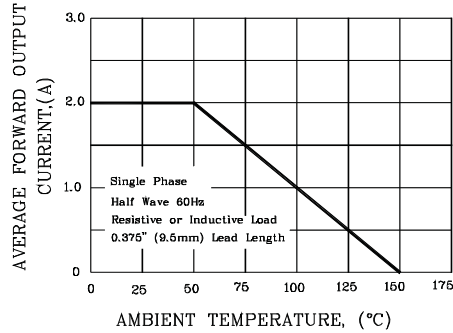


FIG.2- MAXIMUM NON-REPETITIVE PEAK FORWARD SURGE CURRENT PER ELEMENT

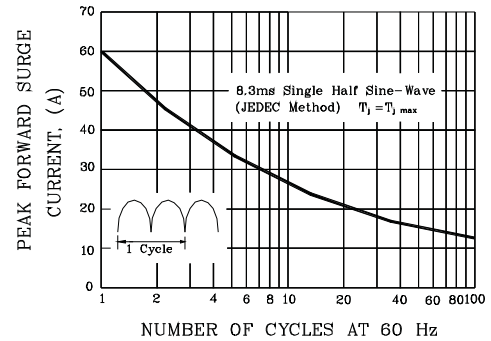


FIG.3- TYPICAL FORWARD CHARACTERISTICS PER BRIDGE ELEMENT

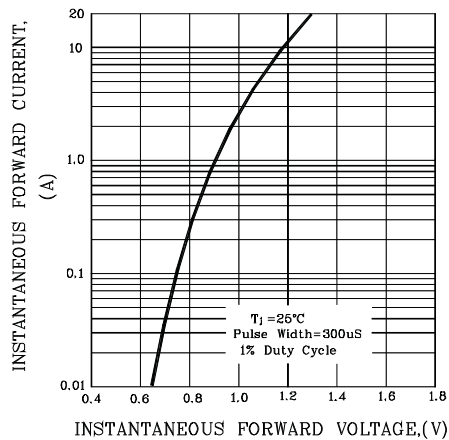


FIG.4- TYPICAL REVERSE CHARACTERISTICS PER BRIDGE ELEMENT

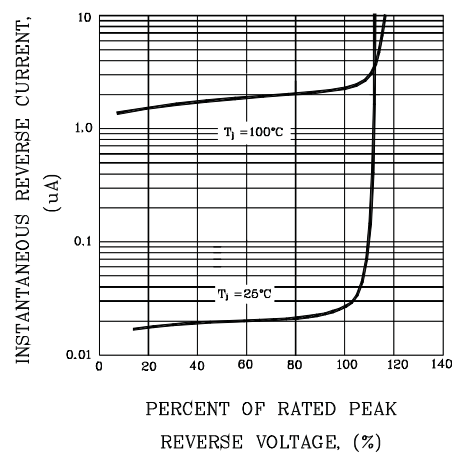
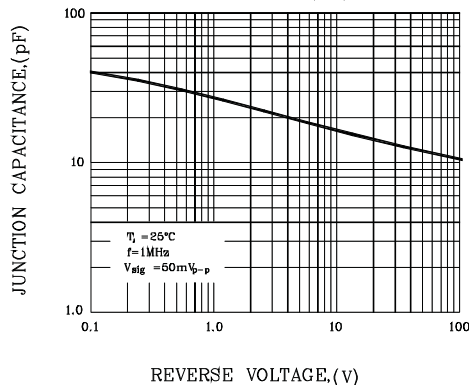


FIG.5- TYPICAL JUNCTION CAPACITANCE PER BRIDGE ELEMENT



Disclaimer

All product, product specifications and data are subject to change without notice to improve reliability, function or design or otherwise.