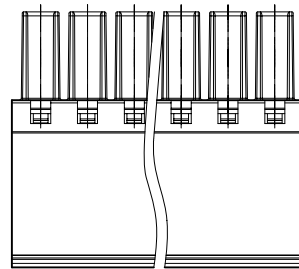
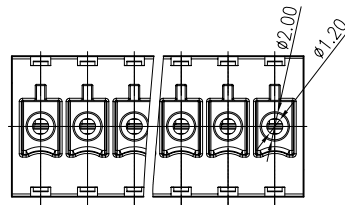
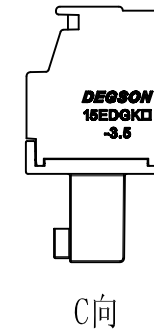
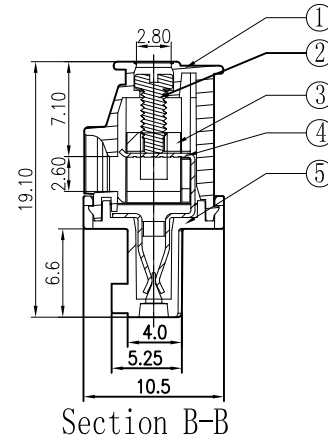
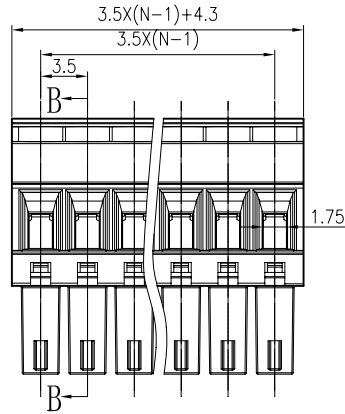
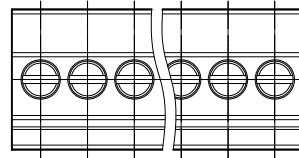
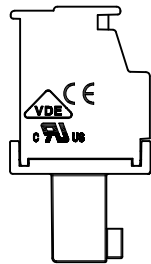


REVISION RECORD				
REV	ECO	DESCRIPTION	DRFT	DATE

Notes:

1. Pitch:3.5mm , Poles:2-24P
2. Rated voltage/current:UL 300V/8A  
VDE 250V/7A
3. Operation temperatures:-40°C~+105°C
4. Withstanding Voltage:AC2000V/1Min
5. Insulation Resistance:5000MΩ/DC1000V
6. Wire Range:28~16AWG, 0.5-1.5mm<sup>2</sup>
7. Max. Torque Value:M2, 2.04kgf.cm (1.77Lb.in)
8. Undimensioned Tolerances:

Pitch range in mm		Nominal dimension range in mm					—
to 6	over 6 to 10	over 10 to 24	to 30	over 30 to 60	over 60 to 100	over 100 to 150	over 150
±0.10	±0.15	±0.25	±0.2	±0.3	±0.5	±0.7	±1
							0.05/10



5	15EDGKA/B-3.5-100A-Cover	1033COYXXE (H)	1	PA66	UL94V-0
4	15EDGKA/B-100A-Clamp	1033B00020 (H)	XX	Phosphor bronze	SnCe
3	15EDGK Cage	X00000010 (H)	XX	Brass	Ni Plated
2	15EDG Screw-M2.0	S000001360 (H)	XX	Steel	Cr <sup>3+</sup> Zn
1	15EDGKA/B-3.5-100A-Housing	1033A0YXXE (H)	1	PA66	UL94V-0
ITEM	NAME OF PART	NO. OF PART	Q"TY	MATERIAL	NOTES

DETACHED LISTS	MM (INCH)	DFTO Apple	DATE 04/11/09*	 宁波高正电子有限公司 DEGSON ELECTRONICS CO., LTD
	TOLERANCES EXCEPT AS NOTED	CHKD	DATE	
		MFO	DATE	
		APPVL	DATE	
		MATERIAL :		
	ANGLES ± 1°		G.E :	
	THIRD ANGLE PROJECTION		FINISH :	
			SCALE : 1:1	DO NOT SCALE DRAWING

NAME		15EDGKA-3.5-XXP-1Y-100A (H)	
DRAWING NO.		15EDGKA-3.5-E100	
/PART NO.		SIZE	REV TO
		A3	09/10/10*
SHEET 1		OF 1	