

Tact Switch Series

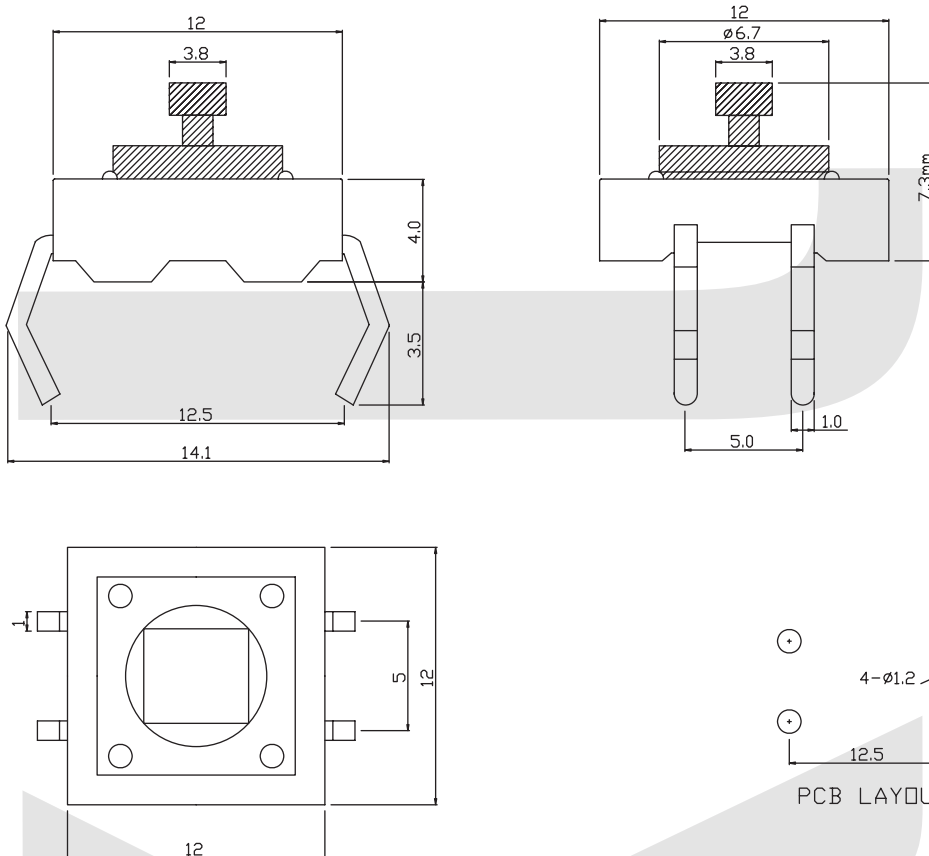
L-KLS7-TS1204 12x12 Tact Switch Series

ELECTRICAL

1. Rating: 50mA 12VDC
2. Contact Resistance : 50mΩ max(initial)
3. Insulation Resistance: 100MΩ(minDC 250V)
4. Dielectric Strength : AC250V(50/60Hz for 1minute)
5. Electrically Life: 100000cycles
6. Environment temperature: -20°C~+70°C
7. Operating Force: 180/250(±30gf)
8. Seal temperature: 260°C~ 280°C



VII



ORDER INFORMATION

L-KLS7-TS1204 - 7.3 - 180

Part Number

Operating Force : 180~250gf
Hight: 7.3mm