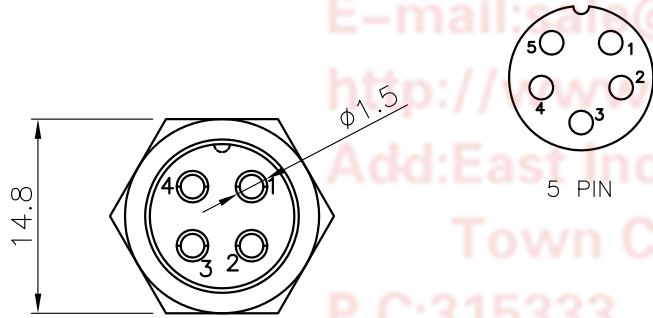
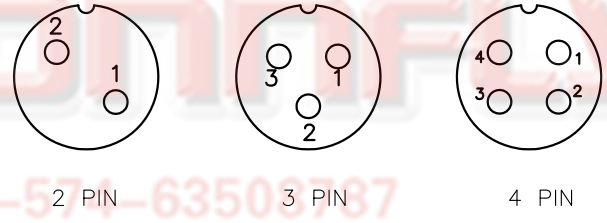
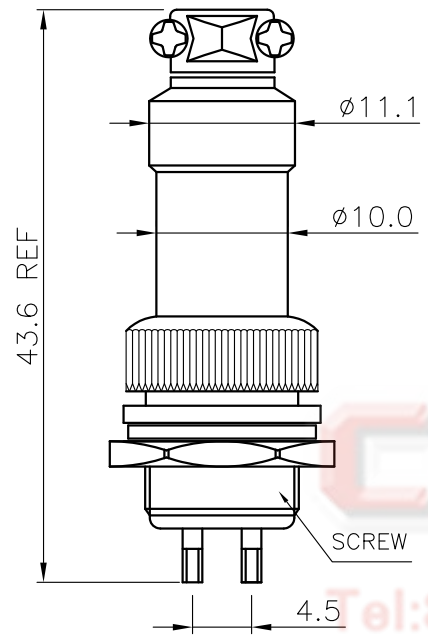


The information provided herein is from CONNELY Electronic Co., Ltd. and is confidential. Any disclosure to a party other than the recipient is prohibited. The intellectual properties and its rights contained herein, including but not limited to, trademarks, patents, copyrights, trade secrets, and technical know-how, are owned exclusively by CONNELY or its affiliates. Unauthorized use of this information in any format or manner. CONNELY may enforce its intellectual property rights at its own discretion; failures or delays to exercise such rights does not constitute a waiver of such rights.

1 2 3 4 5 6 7 8

REV.	DESCRIPTION	DRAWN	CHECKED	APPROVED
A	NEW RELEASE	LL 07/18/06'		LJC 07/18/06'
B	DRAWING UPDATE	JLZ 06/13/16'	HZW 06/13/16'	LJC 06/13/16'
C	ADD PLATING TYPE	JLZ 06/28/18'		



NOTES:

- SPECIFICATION
  - .CURRENT RATING: 5A Max.
  - .DIELECTRIC WITH STANDING VOLTAGE: 500V(AC)
  - .CONTACT RESISTANCE: 100mΩ Max.
  - .INSULATION RESISTANCE: 1000MΩ(DC)Min
- PRODUCT NUMBER CODE:

DS1110-01 - X X X

- CONTACT PLATING
  - 6: SILVER
  - 8: GOLD FLASH
- COLOR OF HOUSING:
  - W: WHITE
  - B: BLACK
- No. OF CONTACTS
  - 2: 2pin 3: 3pin
  - 4: 4pin 5: 5pin

Tel:86-574-63509737  
 Fax:86-574-63510817  
 E-mail: sales@connfly.com  
 http://www.connfly.com  
 Add:East Industry Zone KuangYan  
 Town Cixi Ningbo China  
 P.C:315333

GENERAL TOLERANCE		ANGLE TOLERANCE		PROJECTION	TITLE
X.	±0.60	X.	±5°		MICRO JACK CONNECTOR
.X	±0.38	.X	±3°	mm	
.XX	±0.25	.XX	±2°	A4	SERIES DS1110-01 SERIES
DRAWING TYPE		CUSTOMER		晨翔电子有限公司 <b>CONNFLY CONNELY ELECTRONIC CO. LTD</b>	
SCALE		1:1	SHEET 1 OF 1		
DRAWING NO.		C-DS1110-01-XXX-C			

1 2 3 4 5 6 7 8