

## Micro USB Connectors

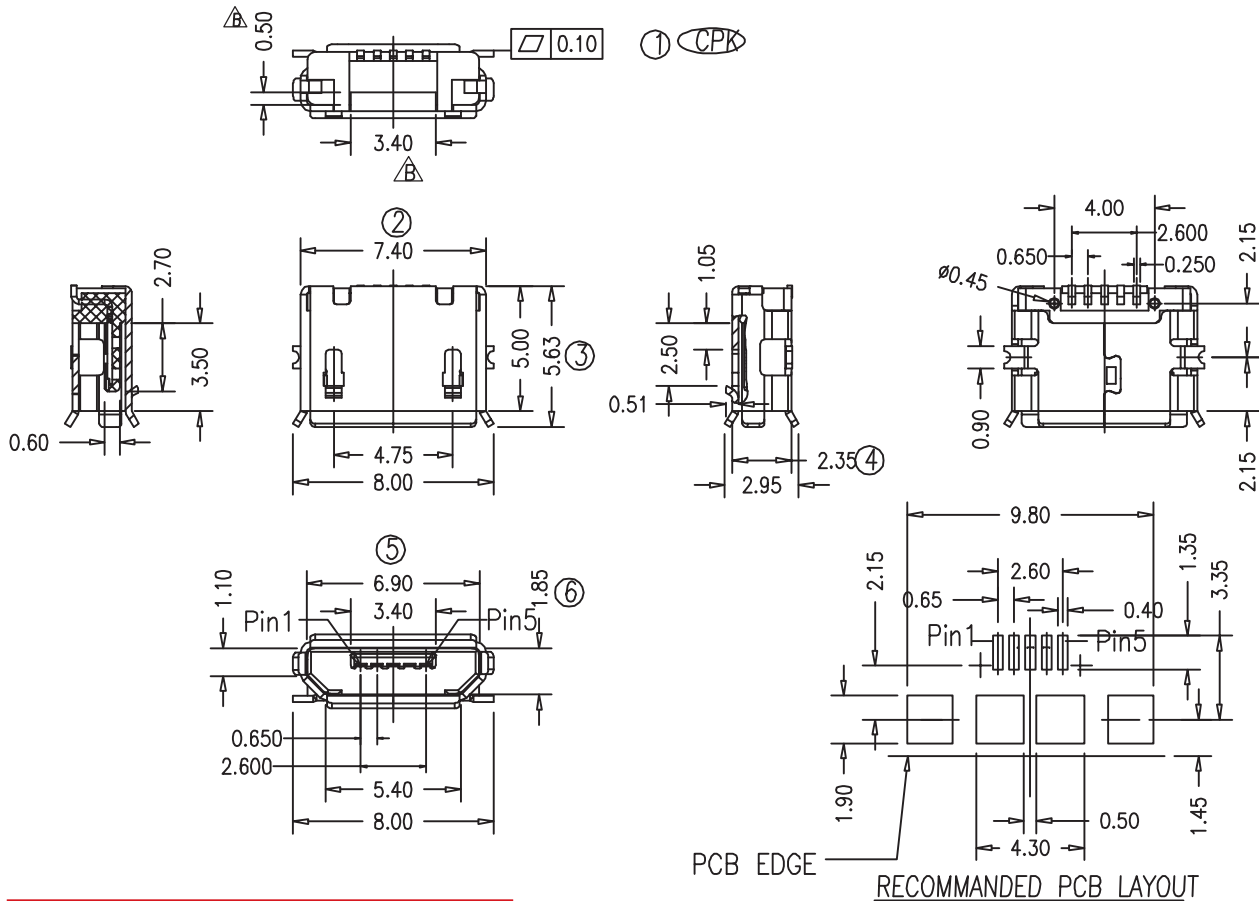
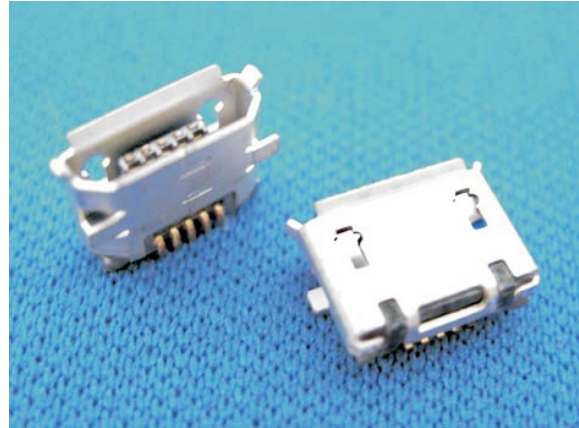
### KLS1-233 Micro USB Connector With B Type Female SMT

**Material:**

The rubber core: LCP UL94V-0  
Terminal: C2680R-H, Gold plated  
Shell: C2680F-H, Surface plating tin 100 μ or All the gold 1μ"

**Main features:**

Rated current: 0.5A  
The contact impedance: 30 mΩ max.  
Insulation resistance: 100MΩ Min 250V DC  
Withstanding Voltage: 250V AC  
Solderability: temperature 235±5 °C, time 5±0.5s  
Back PIN force: 0.5kgf Min.  
Service life: 10000 times  
Operating temperature: -30 °C ~+80 °C



## ORDER INFORMATION

Product NO.: KLS1-233 - 0 - 0 - 0 - R



## Micro USB Connectors

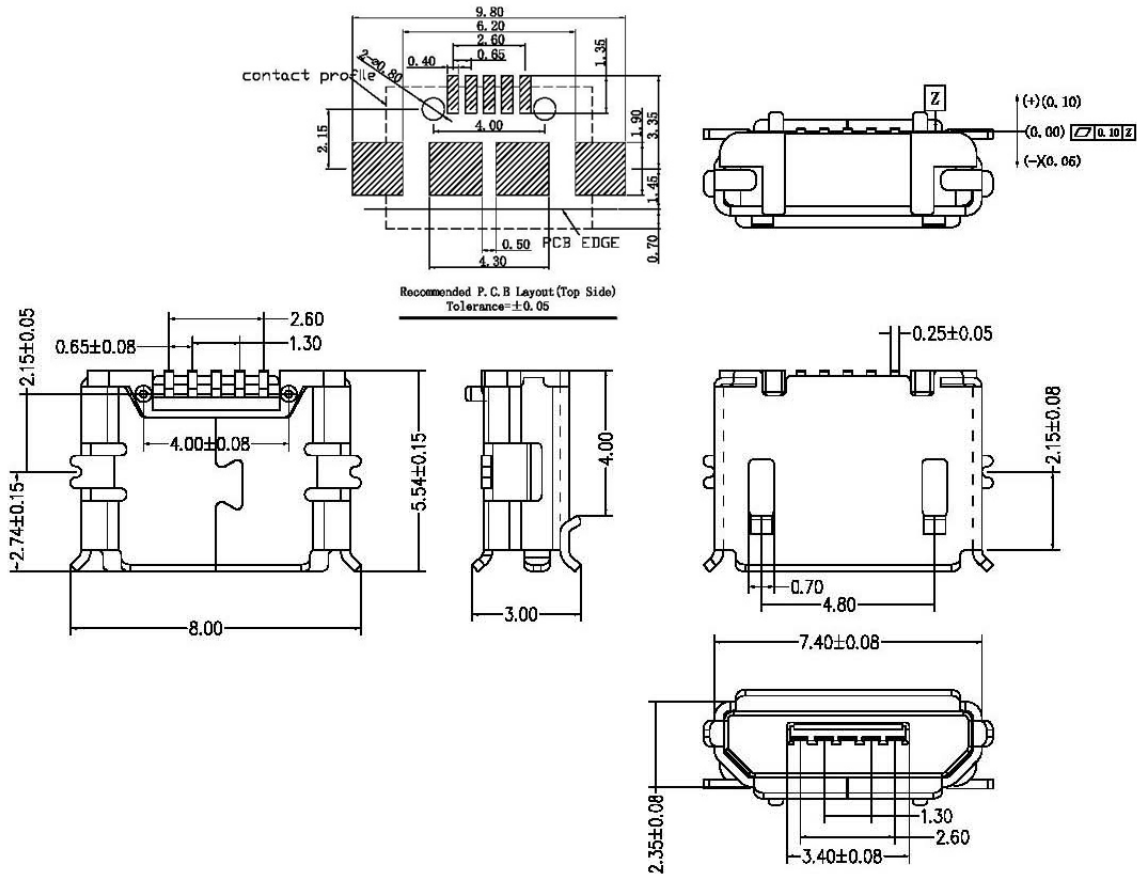
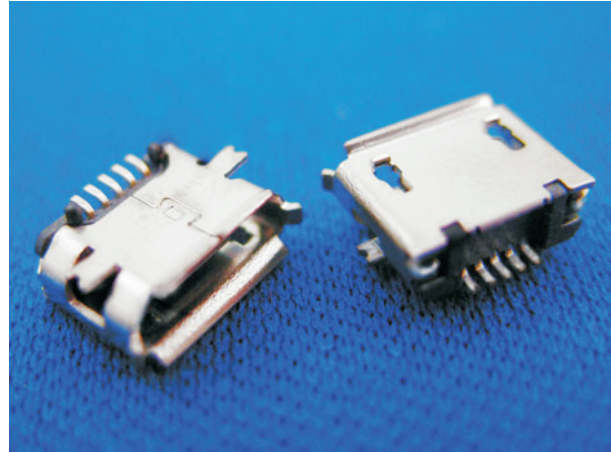
### KLS1-233 Micro USB Connector With B Type Female SMT

**Material:**

The rubber core: LCP UL94V-0  
Terminal: C2680R-H, Gold plated  
Shell: C2680F-H, Surface plating tin 100 μ or All the gold 1μ"

**Main features:**

Rated current: 0.5A  
The contact impedance: 30 mΩ max.  
Insulation resistance: 100MΩ Min 250V DC  
Withstanding Voltage: 250V AC  
Solderability: temperature 235±5 °C, time 5±0.5s  
Back PIN force: 0.5kgf Min.  
Service life: 10000 times  
Operating temperature: -30 °C ~+80 °C



## ORDER INFORMATION

Product NO.: KLS1-233 - 1 - 0 - 0 - R

