



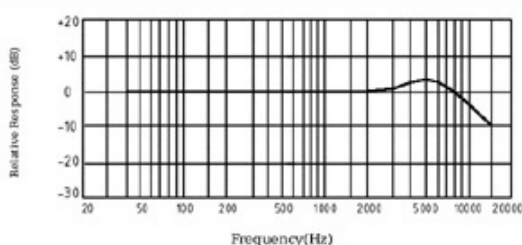
## CZN-15E

Sensitivity:  $-46\pm 3\text{dB}$   $-42\pm 3\text{dB}$   $-38\pm 3\text{dB}$   $-34\pm 3\text{dB}$  ( $0\text{dB}=1\text{V/pa}, 1\text{KHz}$ )

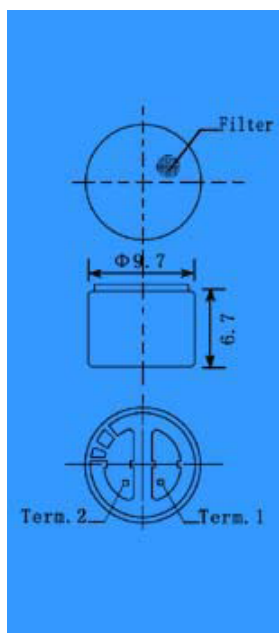
### Omnidirectional Electret Condenser Microphone

#### CZN-15E

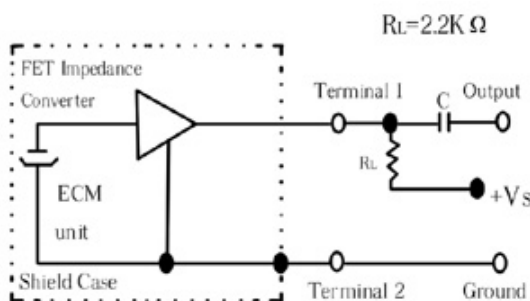
##### Typical Frequency Response Curve



##### Dimensional Drawing



##### Schematic Diagram



##### Specification

Sensitivity:  $-46\pm 3\text{dB}$   $-42\pm 3\text{dB}$   $-38\pm 3\text{dB}$   $-34\pm 3\text{dB}$  ( $0\text{dB}=1\text{V/pa}, 1\text{KHz}$ )

Impedance: Low impedance

Directivity: Omnidirectional

Frequency: 20-16,000Hz

Voltage range: 1.5V-10V

Standard operation voltage: 4.5V

Current consumption: Max. 0.5mA

Sensitivity reduction: Within -3dB at 3V

S/N ratio: More than 60dB

NINGBO YUELONG ELECTRONICS CO.,LTD [HTTP://WWW.NBYUELONG.CN](http://www.nbyuelong.cn)

ADD: No.9 Hongda Road HongTang Industry A Zone Ningbo, Zhejiang, China  
Tel: +86-574-83022200 Fax: +86-574-83022210