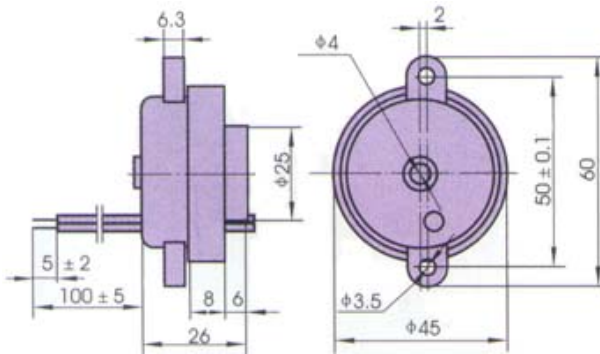
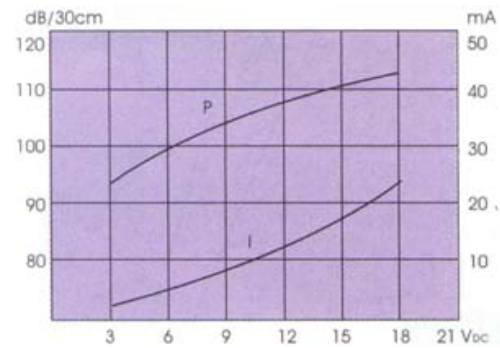




- **EFM-320BL**

**FEATURES:**

- High output
- Sealed type
- High reliability

DIMENSIONS: (Unit: mm)**CHARACTERISTICS:****ELECTRICAL SPECIFICATIONS :**

Model No.	EFM-320BL
Min. Sound Pressure Level (dB)	105/12V _{DC} /30cm
Rated Voltage (V _{DC})	12
Operating Voltage (V _{DC})	3 ~ 16
Max. Consumption (mA)	35 /12V _{DC}
Oscillating Frequency (kHz)	2.9 ± 0.5
Tone Nature	Continuous
Operating Temperature (°C)	-20 ~ +70
Weight (g)	22
Case Material/Colour	Fire-resistance ABS/White

PACKING INFORMATION :

Packing:	500 pcs per export carton
Carton Size:	47 X 30.5 X 33 cm
G. Weight:	12.5 kgs
N. Weight:	11 kgs