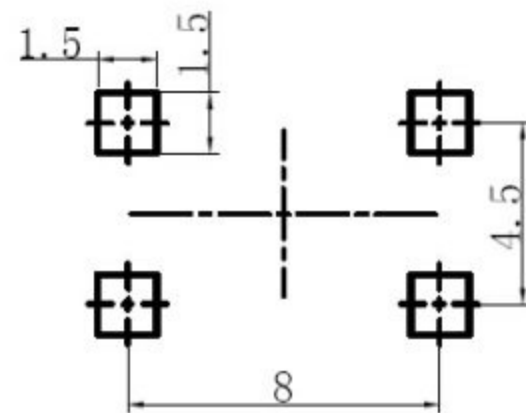
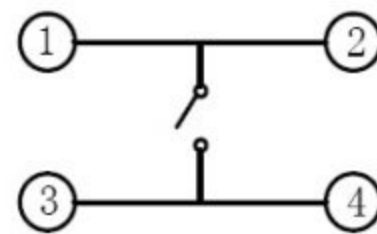
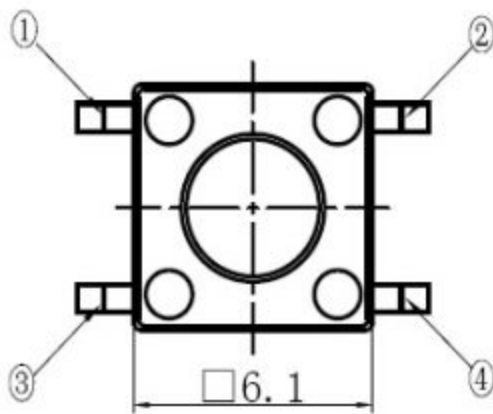
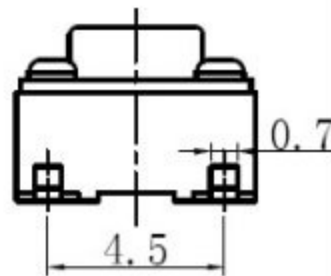
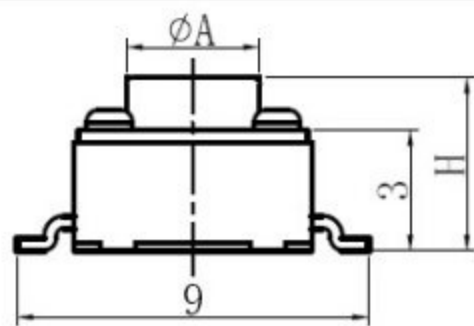




Item Name	Tact Switch	Brand	WNRE
Model Number	TIT-1102WB (6x6x7)	Material	Copper/Iron, Plastic
Specification	6x6x7mm	Certification	RoHS
Gender	Female	Temperature	-10~60°C
Withstand Voltage	AC250V(50Hz)/min	Rated Load	DC 12V 0.5A
Contact Resistance	≤0.02Ω	Insulation Resistance	≥100MΩ
Actuating Force	100~300gf	Life	>2000 cycles



H	3.8	4	4.3	4.5	5	5.5	5.9	6.1	6.5	6.8	7	7.5	8	8.3	8.5	9
φA	3.4	3.4	3.4	3.4	3.2	3.2	3	3	3.2	3.2	3.2	3.2	3	3.1	3.1	3.1
H	9.5	9.8	10	10.5	11	11.5	12	12.5	13	13.5	14	14.5	15	15.1	15.5	16
φA	3.1	3	3	3.2	3.2	3.2	3.1	3.1	3	3.2	3.1	3.1	3.2	3.1	3	3.2
H	16.5	17	17.5	18	18.5	19	19.2	19.5	20.5	21.5	22.5	23	24.5	25.5	26.7	28.5
φA	3	3	3.1	3	3	3	3	3	3	3	3.1	3.1	3	3.1	3	3