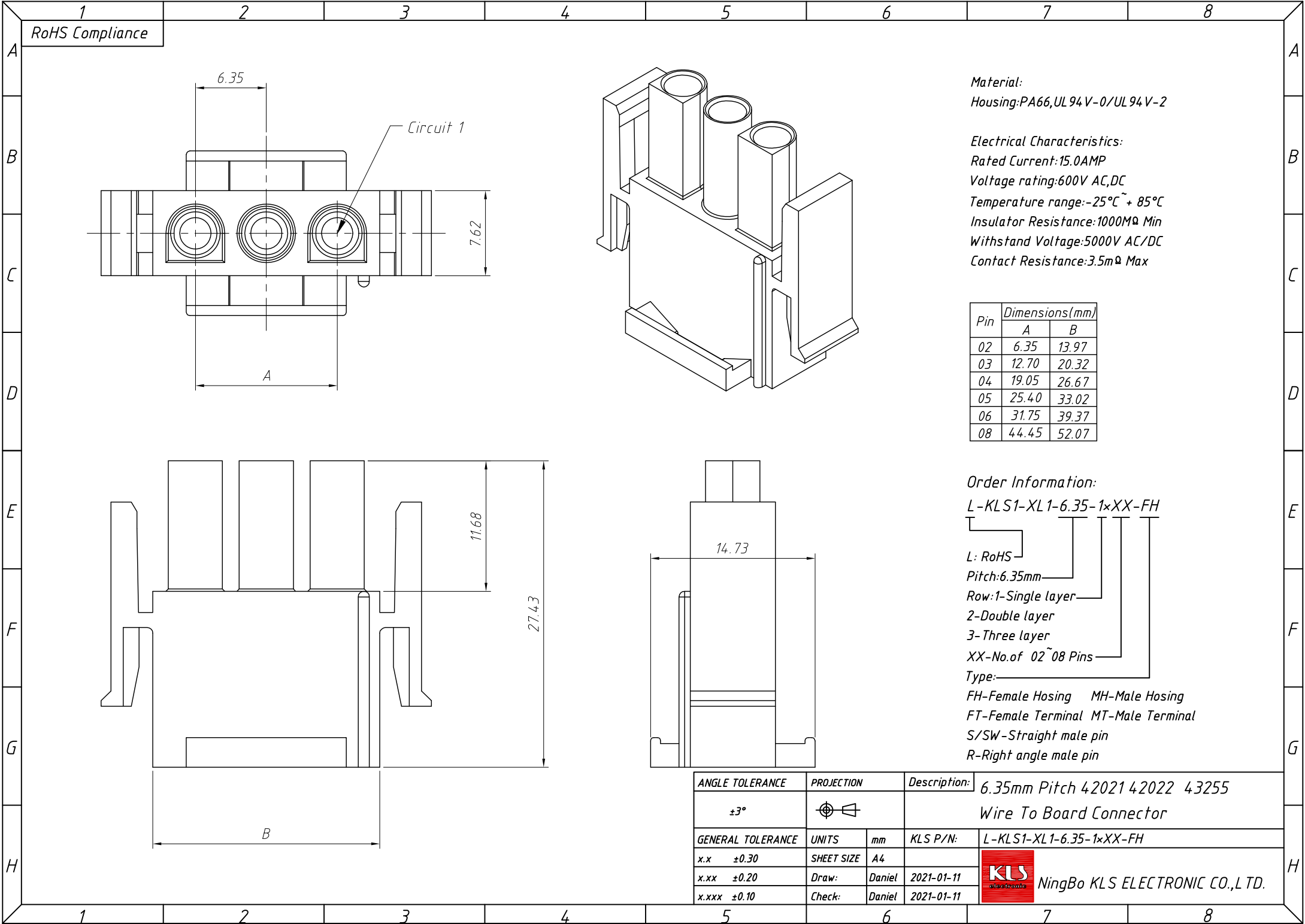


1
RoHS Compliance

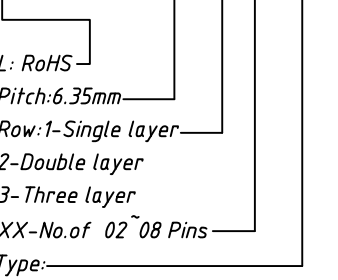


Material:
Housing:PA66,UL 94V-0/UL 94V-2

Electrical Characteristics:
Rated Current:15.0AMP
Voltage rating:600V AC,DC
Temperature range:-25°C ~ + 85°C
Insulator Resistance:1000MΩ Min
Withstand Voltage:5000V AC/DC
Contact Resistance:3.5mΩ Max

Pin	Dimensions(mm)	
	A	B
02	6.35	13.97
03	12.70	20.32
04	19.05	26.67
05	25.40	33.02
06	31.75	39.37
08	44.45	52.07

Order Information:
L-KLS1-XL1-6.35-1×XX-FH

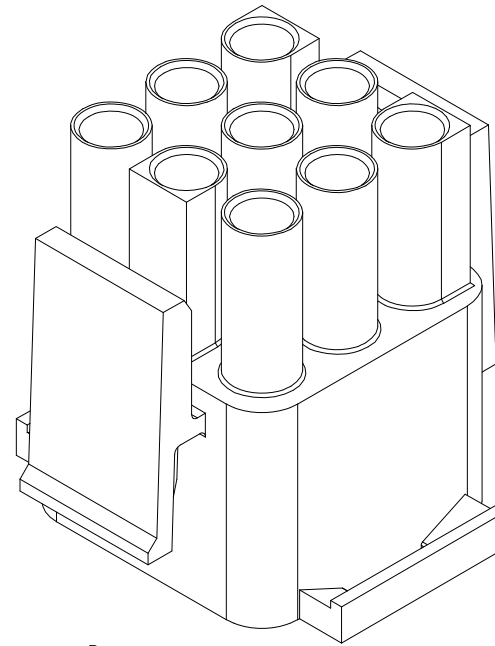
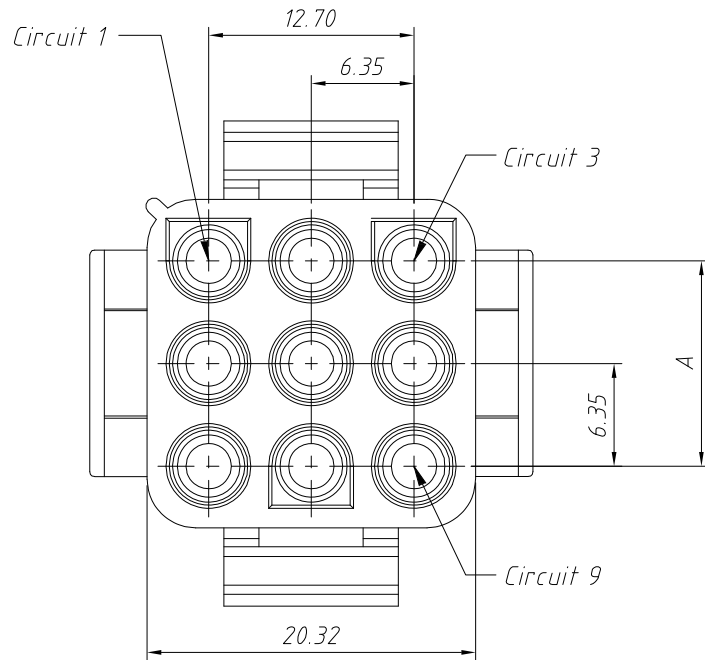


FH-Female Hosing MH-Male Hosing
FT-Female Terminal MT-Male Terminal
S/SW-Straight male pin
R-Right angle male pin

ANGLE TOLERANCE	PROJECTION	Description:	6.35mm Pitch 42021 42022 43255
±3°			Wire To Board Connector
GENERAL TOLERANCE	UNITS	mm	KLS P/N: L-KLS1-XL1-6.35-1×XX-FH
x.x ±0.30	SHEET SIZE	A4	
x.xx ±0.20	Draw:	Daniel 2021-01-11	
x.xxx ±0.10	Check:	Daniel 2021-01-11	

KLS NingBo KLS ELECTRONIC CO.,L TD.

1 RoHS Compliance



Material:
Housing:PA66,UL 94V-0/UL 94V-2

Electrical Characteristics:
Rated Current:15.0AMP
Voltage rating:600V AC,DC
Temperature range:-25°C ~ + 85°C
Insulator Resistance:1000M Ω Min
Withstand Voltage:5000V AC/DC
Contact Resistance:3.5m Ω Max

Pin	Dimensions(mm)	
	A	B
02	6.35	13.97
03	12.70	20.32
04	19.05	26.67
05	25.40	33.02

Order Information:

L-KLS1-XL 1-6.35-3 \times XX-FH

L: RoHS

Pitch:6.35mm

Row:1-Single layer

2-Double layer

3-Three layer

XX-No. of 02~05 Pins

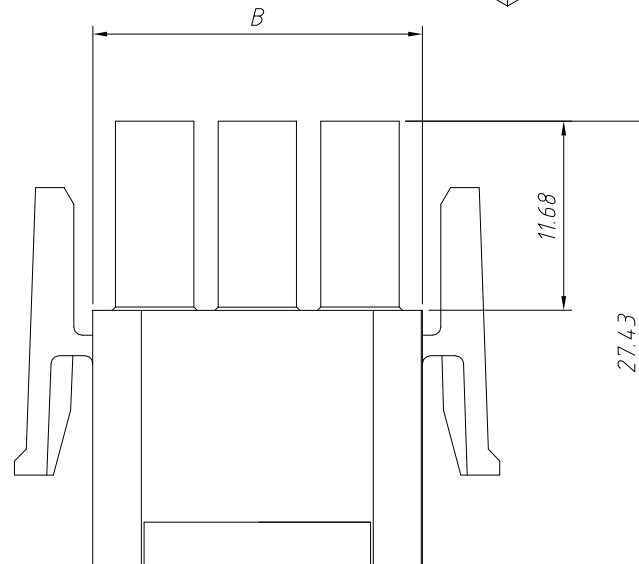
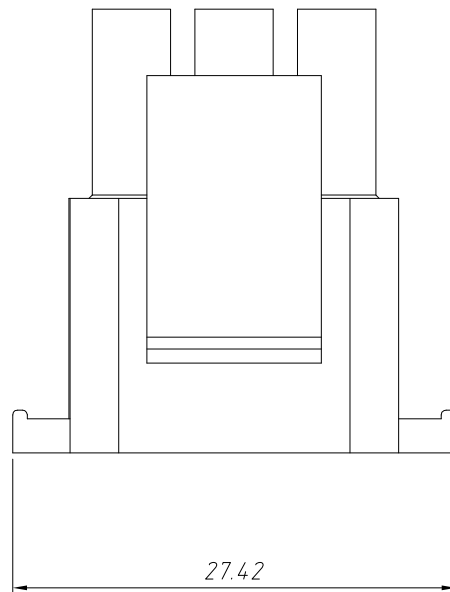
Type:

FH-Female Hosing MH-Male Hosing

FT-Female Terminal MT-Male Terminal

S/SW-Straight male pin

R-Right angle male pin



ANGLE TOLERANCE PROJECTION Description: 6.35mm Pitch 42021 42022 43255

$\pm 3^\circ$



Wire To Board Connector

GENERAL TOLERANCE UNITS mm

KLS P/N:

L-KLS1-XL 1-6.35-3 \times XX-FH

x.x ± 0.30 SHEET SIZE

A4

x.xx ± 0.20 Draw:

Daniel

2021-01-11

x.xxx ± 0.10 Check:

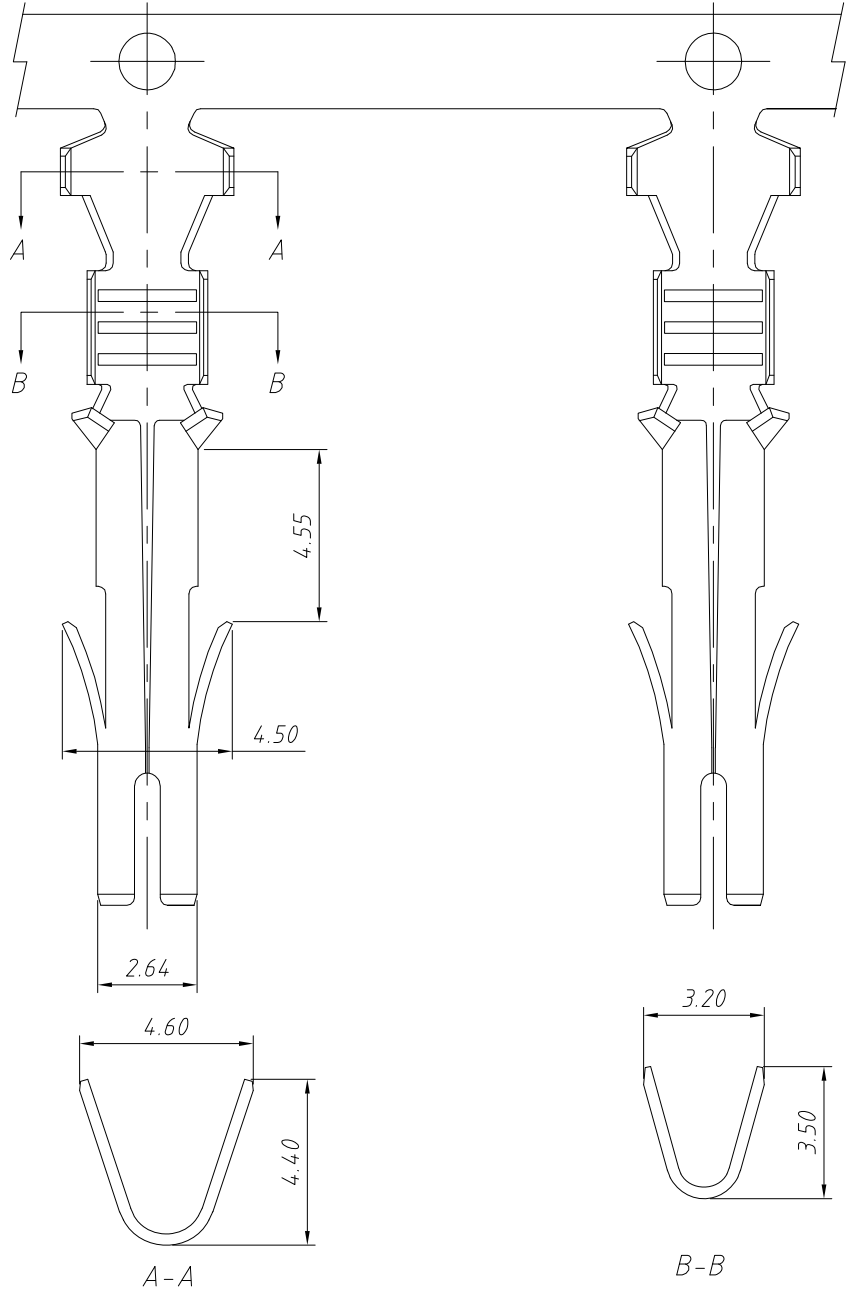
Daniel

2021-01-11



NingBo KLS ELECTRONIC CO.,L TD.

1
RoHS Compliance



Material:
Terminal: Brass
Plating: Tin-plated.
Applicable wires: AWG #14 ~ # 20
Insulation O.D: 3.30mm Max
Qty/reel: 4000 PCS

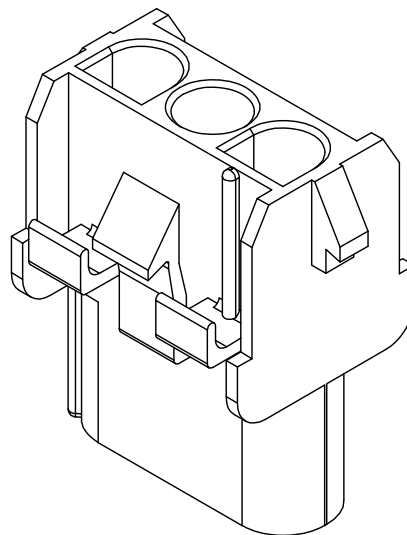
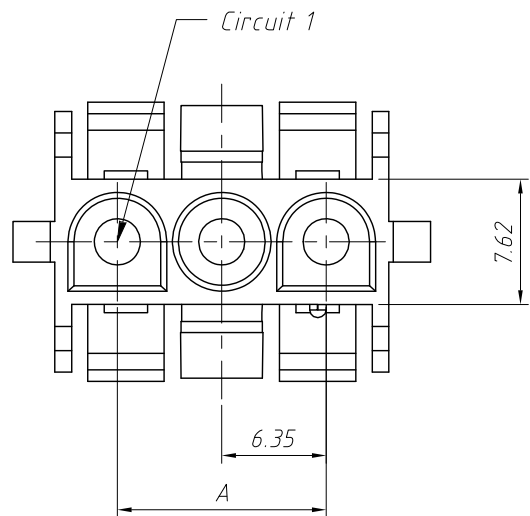
Electrical Characteristics:
Rated Current: 15.0AMP
Voltage rating: 600V AC,DC
Temperature range: -25°C ~ + 85°C
Insulator Resistance: 1000MΩ Min
Withstand Voltage: 5000V AC/DC
Contact Resistance: 3.5mΩ Max

Order Information:
L-KLS1-XL1-6.35-FT

L: RoHS
Pitch: 6.35mm
Type:
FH-Female Hosing MH-Male Hosing
FT-Female Terminal MT-Male Terminal
S/SW-Straight male pin
R-Right angle male pin

ANGLE TOLERANCE	PROJECTION	Description:	6.35mm Pitch 42021 42022 43255
±3°			Wire To Board Connector
GENERAL TOLERANCE	UNITS	mm	KLS P/N: L-KLS1-XL1-6.35-FT
x.x ±0.30	SHEET SIZE	A4	NingBo KLS ELECTRONIC CO.,L TD.
x.xx ±0.20	Draw:	Daniel	
x.xxx ±0.10	Check:	Daniel	

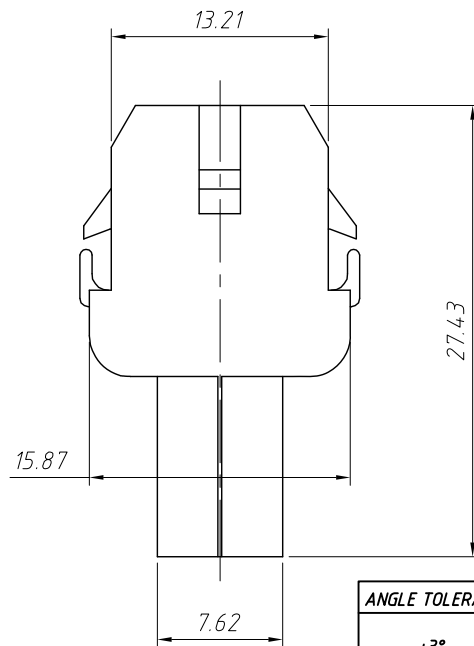
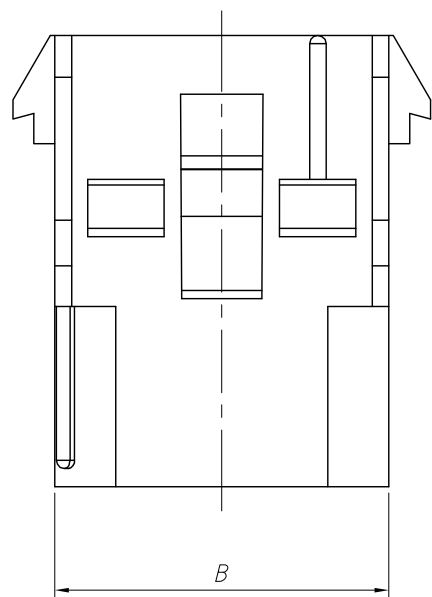
1 RoHS Compliance



Material:
Housing:PA66,UL 94V-0/UL 94V-2

Electrical Characteristics:
Rated Current:15.0AMP
Voltage rating:600V AC,DC
Temperature range:-25°C ~ + 85°C
Insulator Resistance:1000MΩ Min
Withstand Voltage:5000V AC/DC
Contact Resistance:3.5mΩ Max

Pin	Dimensions(mm)	
	A	B
02	6.35	13.97
03	12.70	20.32
04	19.05	26.67
05	25.40	33.02
06	31.75	39.37
08	44.45	52.07



Order Information:

L-KLS1-XL1-6.35-1×XX-MH

L: RoHS

Pitch:6.35mm

Row:1-Single layer

2-Double layer

3-Three layer

XX-No.of 02~08 Pins

Type:

FH-Female Hosing MH-Male Hosing

FT-Female Terminal MT-Male Terminal

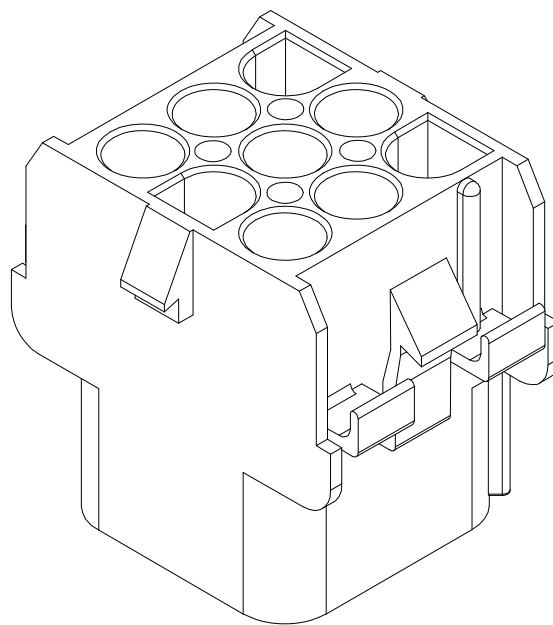
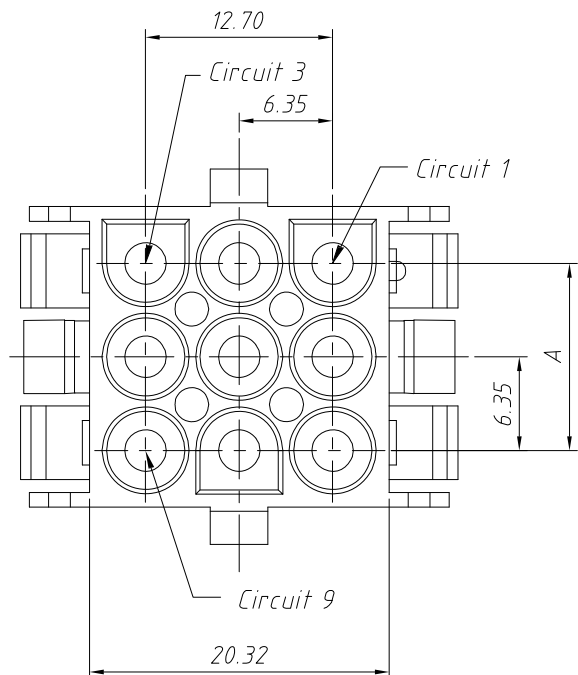
S/SW-Straight male pin

R-Right angle male pin

ANGLE TOLERANCE	PROJECTION	Description:	6.35mm Pitch 42021 42022 43255	
±3°			Wire To Board Connector	
GENERAL TOLERANCE	UNITS	mm	KLS P/N: L-KLS1-XL1-6.35-1×XX-MH	
x.x ±0.30	SHEET SIZE	A4		
x.xx ±0.20	Draw:	Daniel		2021-01-11
x.xxx ±0.10	Check:	Daniel		2021-01-11

KLS NingBo KLS ELECTRONIC CO.,L TD.

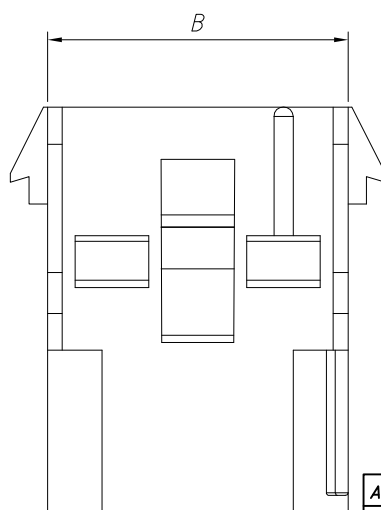
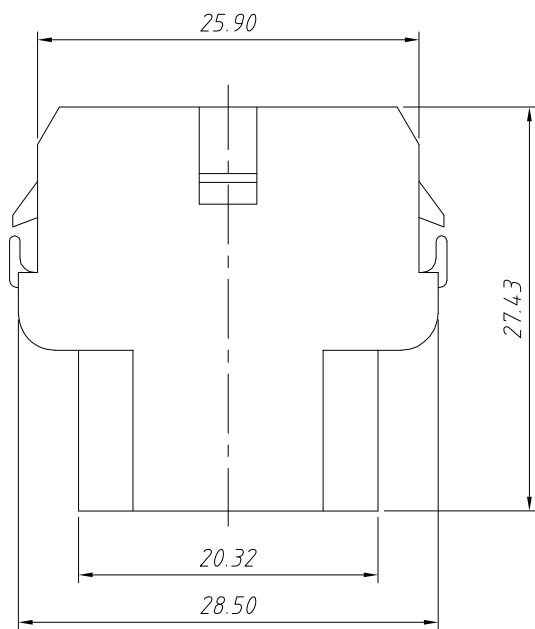
1 RoHS Compliance



Material:
Housing:PA66,UL 94V-0/UL 94V-2

Electrical Characteristics:
Rated Current:15.0AMP
Voltage rating:600V AC,DC
Temperature range:-25°C ~ + 85°C
Insulator Resistance:1000M Ω Min
Withstand Voltage:5000V AC/DC
Contact Resistance:3.5m Ω Max

Pin	Dimensions(mm)	
	A	B
02	6.35	13.97
03	12.70	20.32
04	19.05	26.67
05	25.40	33.02



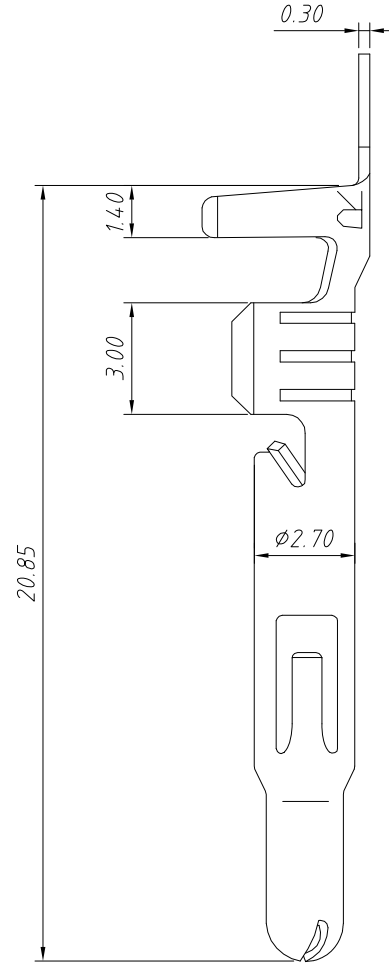
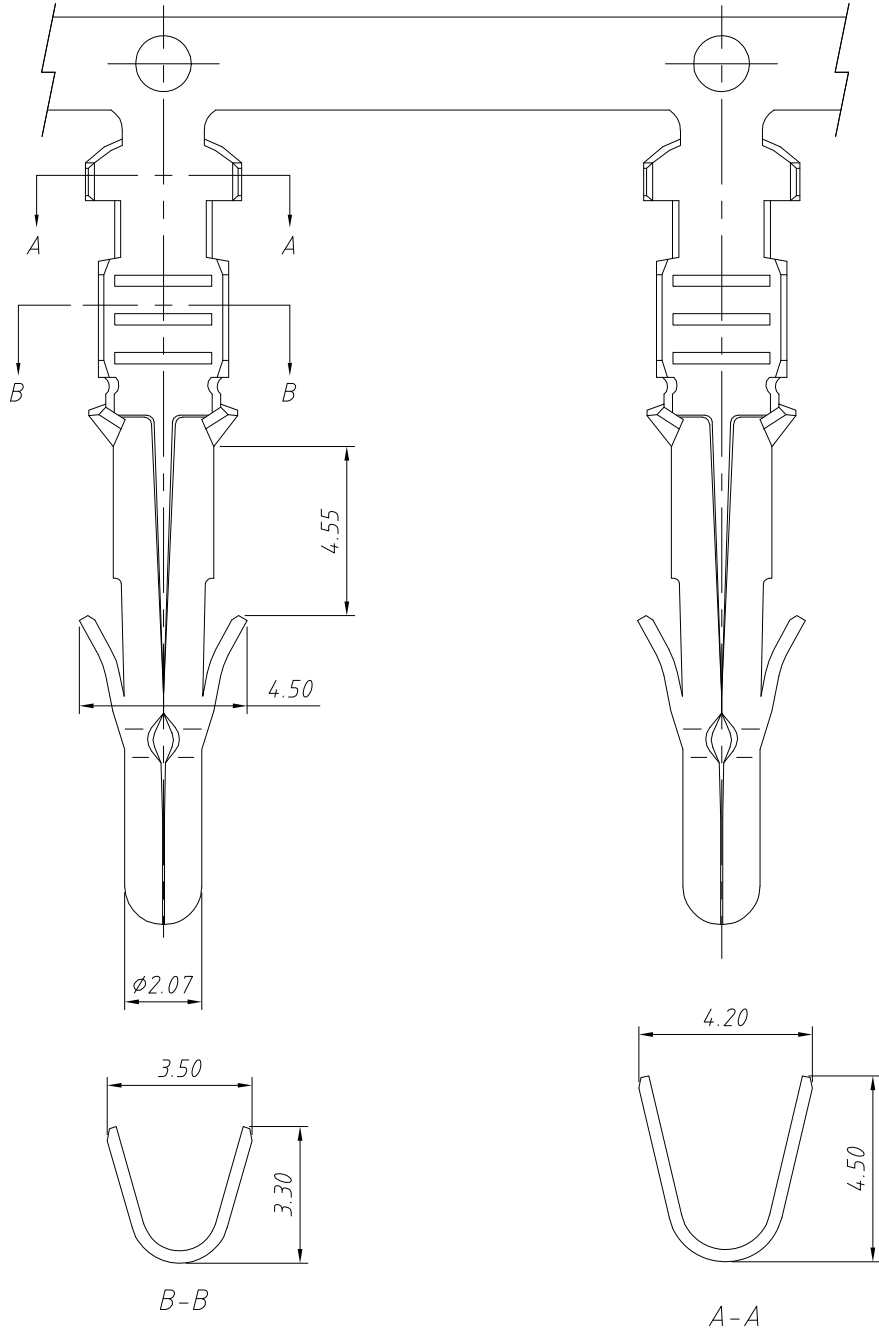
Order Information:

L-KLS1-XL 1-6.35-3 \times XX-MH

L: RoHS
Pitch:6.35mm
Row:1-Single layer
2-Double layer
3-Three layer
XX-No.of 02~05 Pins
Type:
FH-Female Hosing MH-Male Hosing
FT-Female Terminal MT-Male Terminal
S/SW-Straight male pin
R-Right angle male pin

ANGLE TOLERANCE	PROJECTION	Description:	6.35mm Pitch 42021 42022 43255
$\pm 3^\circ$			Wire To Board Connector
GENERAL TOLERANCE	UNITS	mm	KLS P/N: L-KLS1-XL 1-6.35-3 \times XX-MH
x.x ± 0.30	SHEET SIZE	A4	NingBo KLS ELECTRONIC CO.,L TD.
x.xx ± 0.20	Draw:	Daniel 2021-01-11	
x.xxx ± 0.10	Check:	Daniel 2021-01-11	

1 RoHS Compliance



Material:
 Terminal: Brass
 Plating: Tin-plated.
 Applicable wires: AWG #14 ~ # 20
 Insulation O.D.: 3.30mm Max
 Qty/reel: 4000 PCS

Electrical Characteristics:
 Rated Current: 15.0AMP
 Voltage rating: 600V AC, DC
 Temperature range: -25°C ~ + 85°C
 Insulator Resistance: 1000MΩ Min
 Withstand Voltage: 5000V AC/DC
 Contact Resistance: 3.5mΩ Max

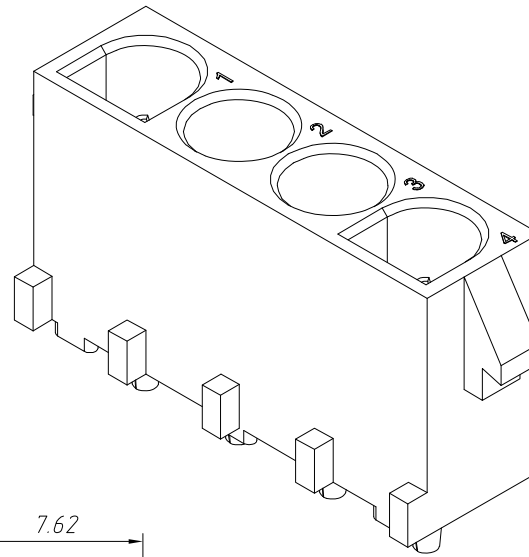
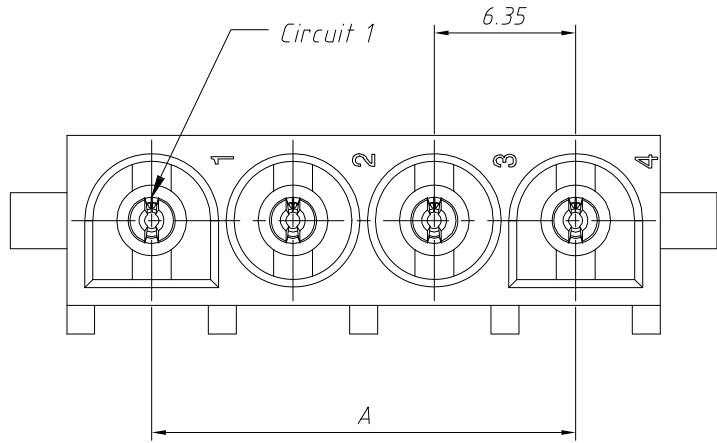
Order Information:
 L-KLS1-XL1-6.35-MT

L: RoHS
 Pitch: 6.35mm
 Type:
 FH-Female Hosing MH-Male Hosing
 FT-Female Terminal MT-Male Terminal
 S/SW-Straight male pin
 R-Right angle male pin

ANGLE TOLERANCE	PROJECTION	Description:	6.35mm Pitch 42021 42022 43255
±3°			Wire To Board Connector
GENERAL TOLERANCE	UNITS	mm	KLS P/N: L-KLS1-XL1-6.35-MT
x.x ±0.30	SHEET SIZE	A4	
x.xx ±0.20	Draw:	Daniel 2021-01-11	
x.xxx ±0.10	Check:	Daniel 2021-01-11	

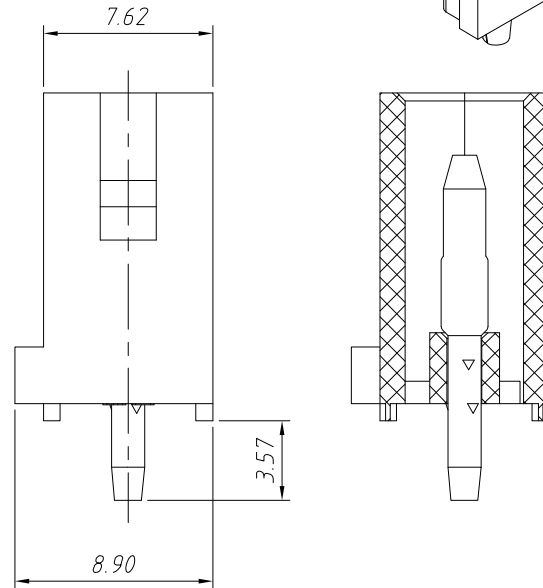
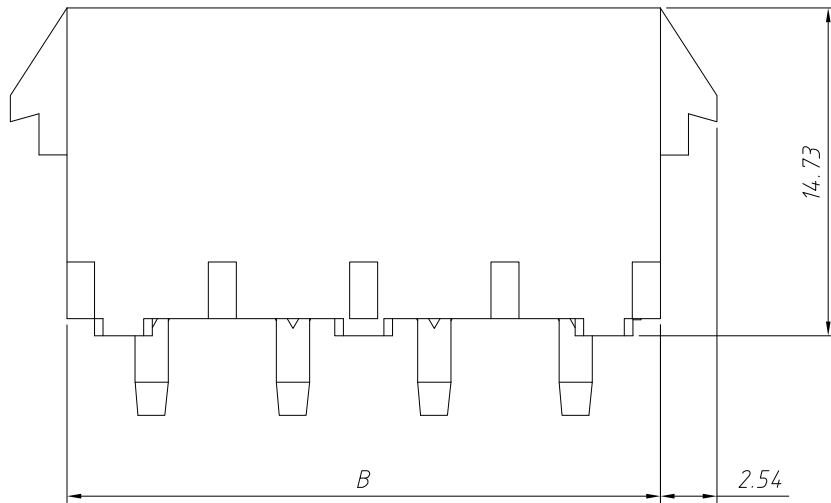
NingBo KLS ELECTRONIC CO.,L TD.

1 RoHS Compliance



Material:
 Housing: PA66, UL 94V-0/UL 94V-2
 Contact: Brass
 Plating: Tin Plated
Electrical Characteristics:
 Rated Current: 15.0AMP
 Voltage rating: 600V AC, DC
 Temperature range: -25°C ~ +85°C
 Insulator Resistance: 1000MΩ Min
 Withstand Voltage: 5000V AC/DC
 Contact Resistance: 3.5mΩ Max

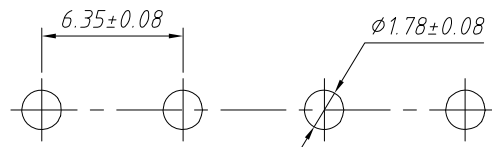
Pin	Dimensions(mm)	
	A	B
02	6.35	13.97
03	12.70	20.32
04	19.05	26.67
05	25.40	33.02
06	31.75	39.37
08	44.45	52.07



Order Information:
 L-KLS1-XL1-6.35-1×XX-S

L: RoHS
 Pitch: 6.35mm
 Row: 1-Single layer
 2-Double layer
 3-Three layer
 XX-No. of 02~08 Pins
 Type:

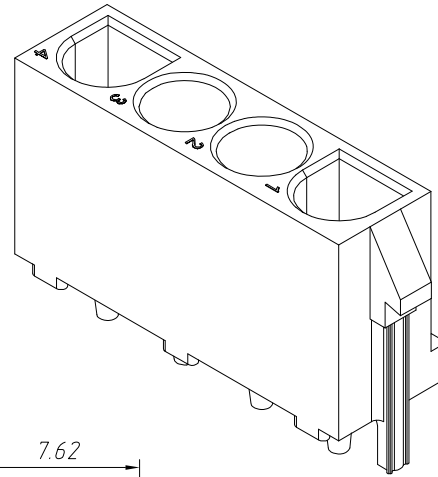
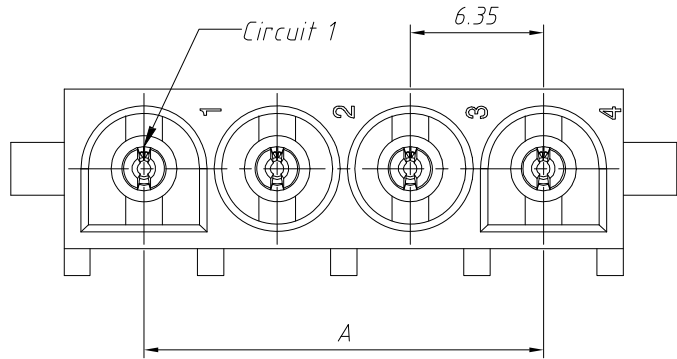
FH-Female Hosing MH-Male Hosing
 FT-Female Terminal MT-Male Terminal
 S/SW-Straight male pin
 R-Right angle male pin



PCB LAYOUT

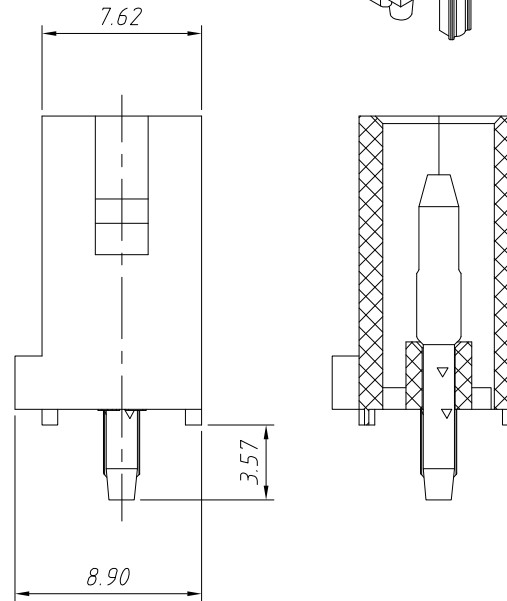
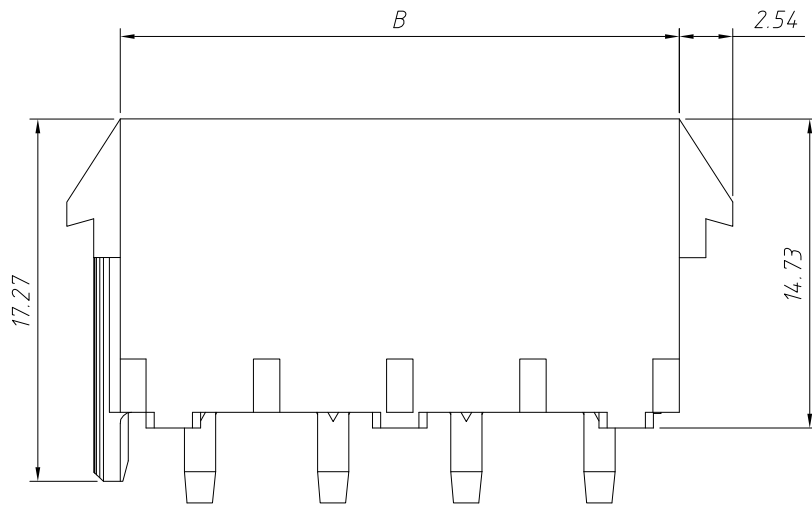
ANGLE TOLERANCE	PROJECTION	Description:	6.35mm Pitch 42021 42022 43255
±3°			Wire To Board Connector
GENERAL TOLERANCE	UNITS	mm	KLS P/N: L-KLS1-XL1-6.35-1×XX-S
x.x ±0.30	SHEET SIZE	A4	NingBo KLS ELECTRONIC CO.,L TD.
x.xx ±0.20	Draw:	Daniel	
x.xxx ±0.10	Check:	Daniel	

1 RoHS Compliance



Material:
 Housing: PA66, UL 94V-0/UL 94V-2
 Contact: Brass
 Plating: Tin Plated
Electrical Characteristics:
 Rated Current: 15.0AMP
 Voltage rating: 600V AC/DC
 Temperature range: -25°C ~ + 85°C
 Insulator Resistance: 1000MΩ Min
 Withstand Voltage: 5000V AC/DC
 Contact Resistance: 3.5mΩ Max

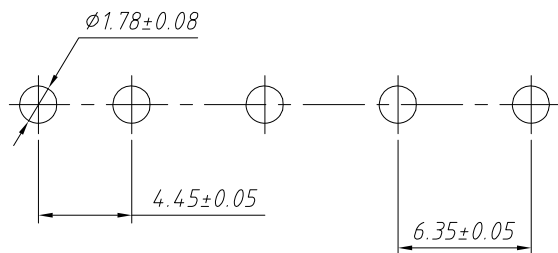
Pin	Dimensions(mm)	
	A	B
02	6.35	13.97
03	12.70	20.32
04	19.05	26.67
05	25.40	33.02
06	31.75	39.37
08	44.45	52.07



Order Information:

L-KLS1-XL1-6.35-1×XX-SW

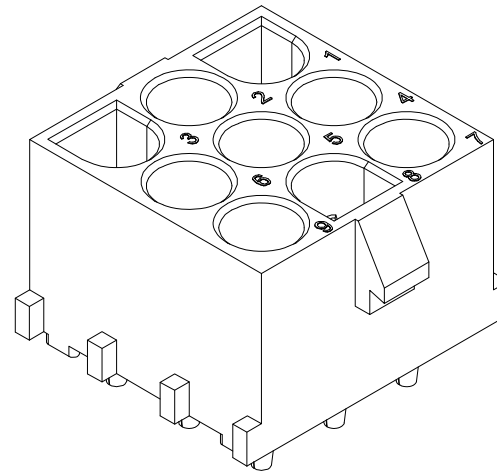
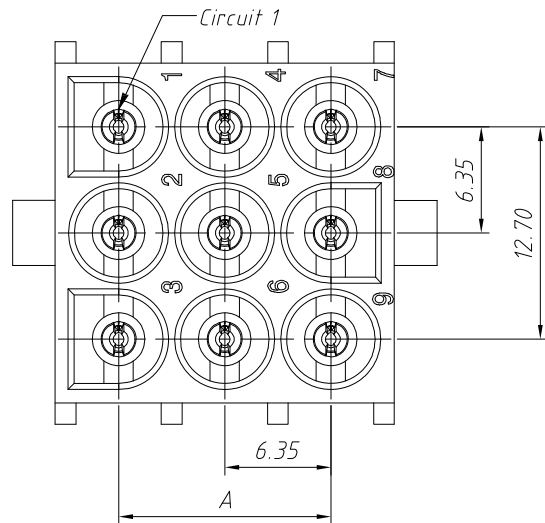
L: RoHS
 Pitch: 6.35mm
 Row: 1-Single layer
 2-Double layer
 3-Three layer
 XX-No. of 02 ~ 08 Pins
 Type: _____
 FH-Female Hosing MH-Male Hosing
 FT-Female Terminal MT-Male Terminal
 S/SW-Straight male pin
 R-Right angle male pin



PCB LAYOUT

ANGLE TOLERANCE	PROJECTION	Description:	6.35mm Pitch 42021 42022 43255
$\pm 3^\circ$			Wire To Board Connector
GENERAL TOLERANCE	UNITS	mm	KLS P/N: L-KLS1-XL1-6.35-1×XX-SW
x.x ± 0.30	SHEET SIZE	A4	NingBo KLS ELECTRONIC CO.,LTD.
x.xx ± 0.20	Draw:	Daniel	
x.xxx ± 0.10	Check:	Daniel	

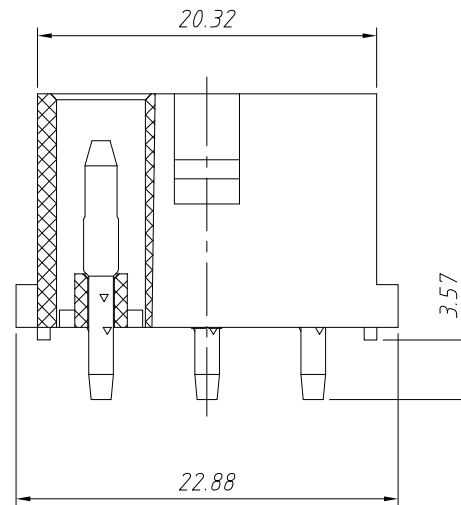
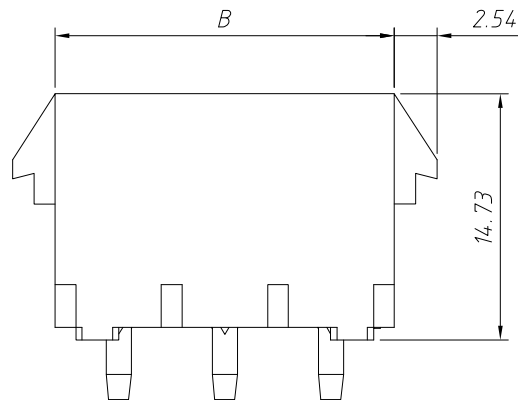
1
RoHS Compliance



Material:
Housing:PA66,UL 94V-0/UL 94V-2
Contact:Brass
Plating: Tin Plated

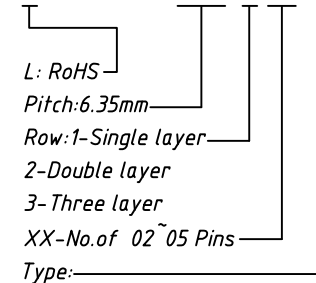
Electrical Characteristics:
Rated Current:15.0AMP
Voltage rating:600V AC,DC
Temperature range:-25°C ~ + 85°C
Insulator Resistance:1000MΩ Min
Withstand Voltage:5000V AC/DC
Contact Resistance:3.5mΩ Max

Pin	Dimensions(mm)	
	A	B
02	6.35	13.97
03	12.70	20.32
04	19.05	26.67
05	25.40	33.02

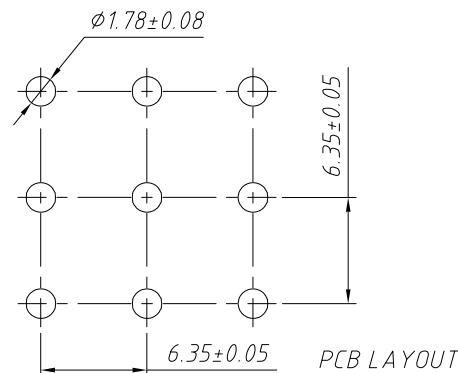


Order Information:

L-KLS1-XL1-6.35-3×XX-S

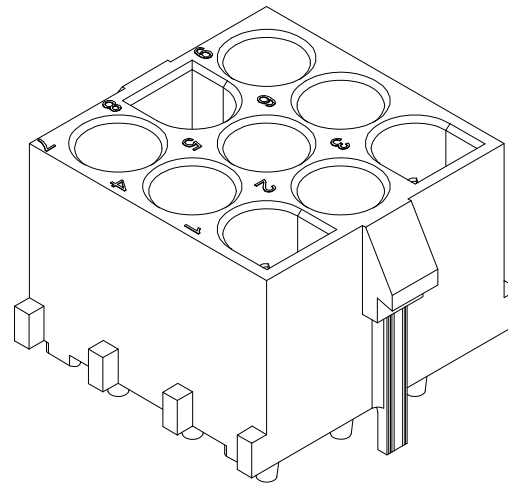
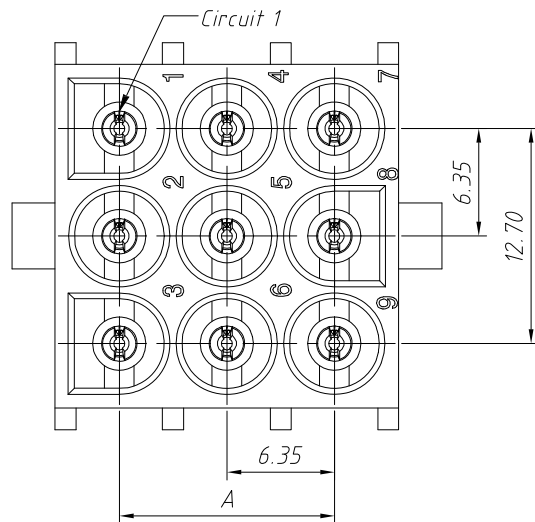


FH-Female Hosing MH-Male Hosing
FT-Female Terminal MT-Male Terminal
S/SW-Straight male pin
R-Right angle male pin



ANGLE TOLERANCE	PROJECTION	Description:	6.35mm Pitch 42021 42022 43255	
$\pm 3^\circ$			Wire To Board Connector	
GENERAL TOLERANCE	UNITS	mm	KLS P/N: L-KLS1-XL1-6.35-3×XX-S	
x.x ± 0.30	SHEET SIZE	A4	NingBo KLS ELECTRONIC CO.,LTD.	
x.xx ± 0.20	Draw:	Daniel		2021-01-11
x.xxx ± 0.10	Check:	Daniel		2021-01-11

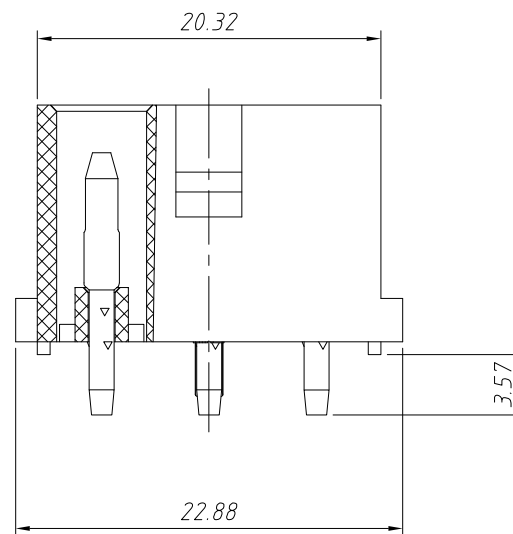
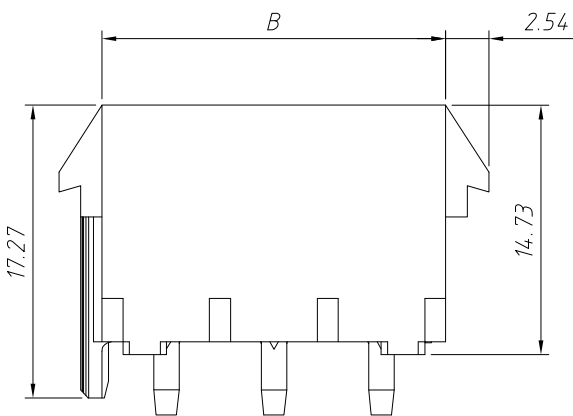
RoHS Compliance



Material:
 Housing: PA66, UL 94V-0/UL 94V-2
 Contact: Brass
 Plating: Tin Plated

Electrical Characteristics:
 Rated Current: 15.0AMP
 Voltage rating: 600V AC/DC
 Temperature range: -25°C ~ +85°C
 Insulator Resistance: 1000MΩ Min
 Withstand Voltage: 5000V AC/DC
 Contact Resistance: 3.5mΩ Max

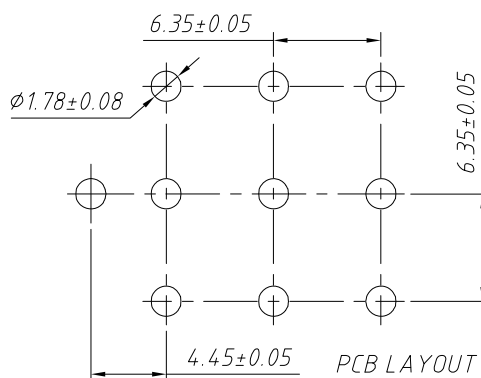
Pin	Dimensions(mm)	
	A	B
02	6.35	13.97
03	12.70	20.32
04	19.05	26.67
05	25.40	33.02



Order Information:

L-KLS1-XL1-6.35-3×XX-SW

- L: RoHS
- Pitch: 6.35mm
- Row: 1-Single layer
- 2-Double layer
- 3-Three layer
- XX-No. of 02~05 Pins
- Type: _____
- FH-Female Hosing MH-Male Hosing
- FT-Female Terminal MT-Male Terminal
- S/SW-Straight male pin
- R-Right angle male pin



ANGLE TOLERANCE	PROJECTION	Description:	6.35mm Pitch 42021 42022 43255	
±3°			Wire To Board Connector	
GENERAL TOLERANCE	UNITS	mm	KLS P/N: L-KLS1-XL1-6.35-3×XX-SW	
x.x ±0.30	SHEET SIZE	A4	NingBo KLS ELECTRONIC CO.,LTD.	
x.xx ±0.20	Draw:	Daniel		2021-01-11
x.xxx ±0.10	Check:	Daniel		2021-01-11