

1 2 3 4 5 6

A

B

C

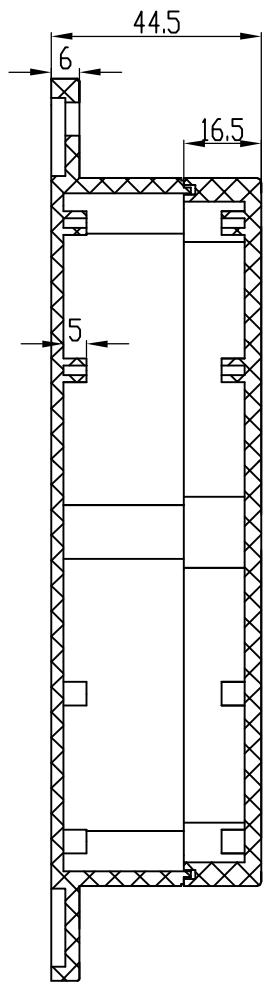
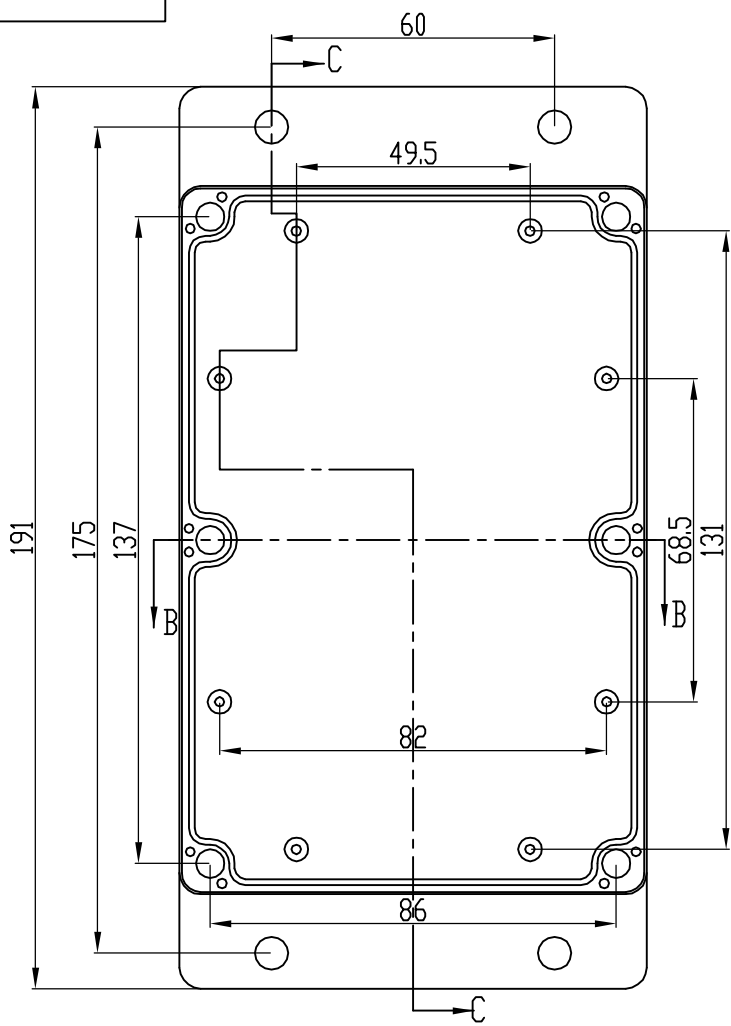
D

A

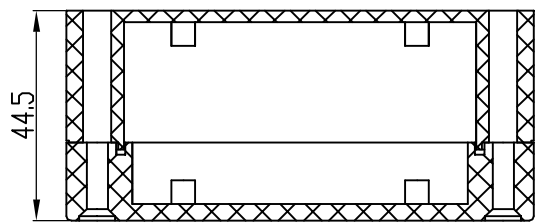
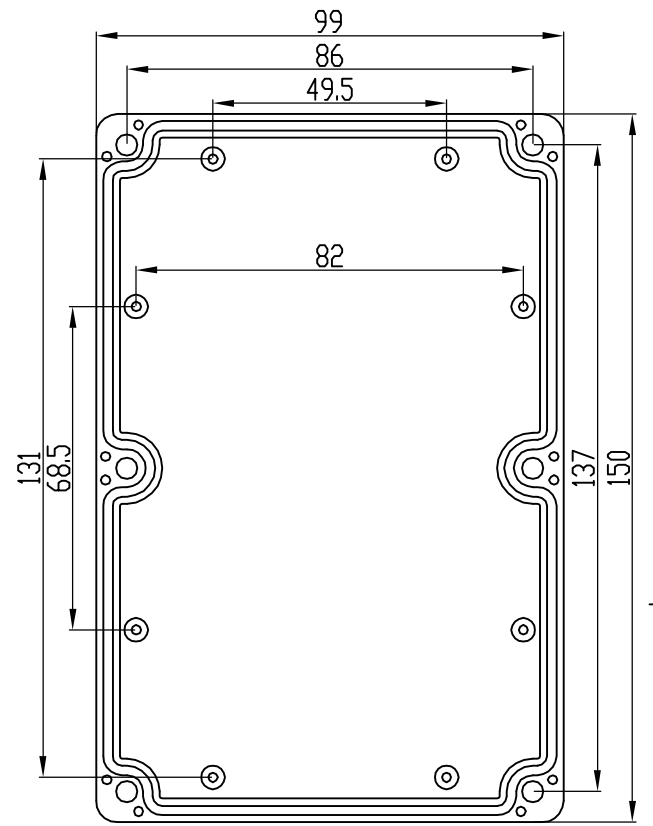
B

C

D



??? C-C



??? B-B

1 2 3 4 5 6

Drawing	Auditing	Confirm	Custom Name	Material
			Product Name	Drawing Scale
			Product Code	11-21
			Project View	(mm)

A4