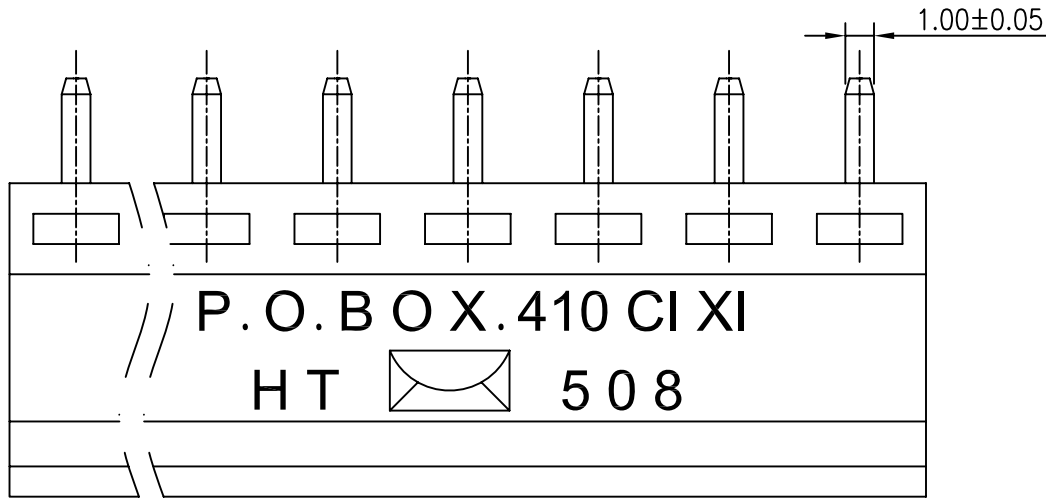


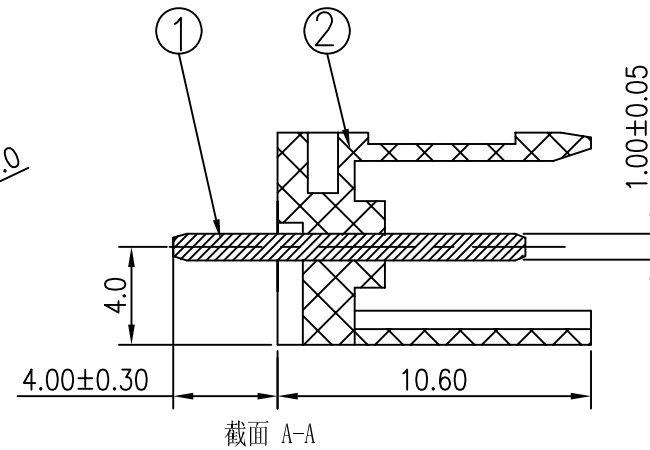
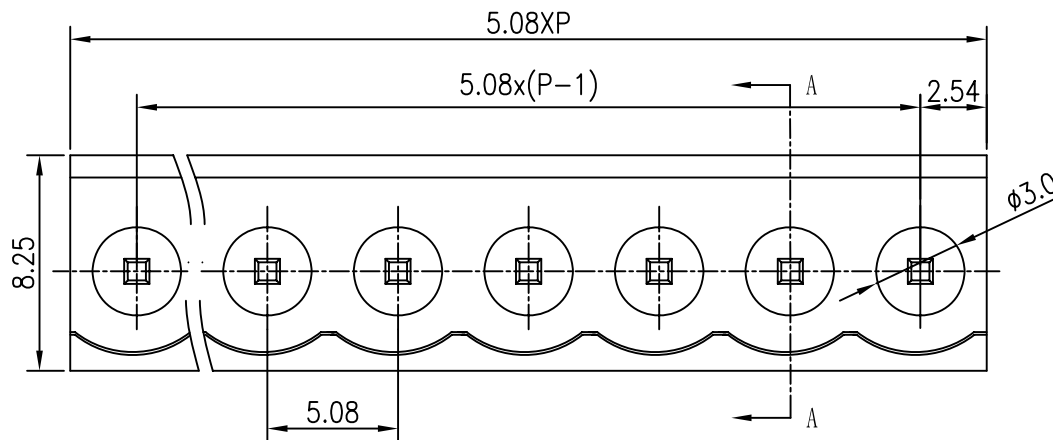
REVISION RECORD				
REV	ECO	DESCRIPTION	DRFT	DATE
△		Drawing emend	Home	04/17/06*
△		增加环保标示	YeJ	10/30/07*



Notes

1. pitch: 5.08mm poles: 2-24p
2. Rated voltage: 300V
3. Rated current: 15A
4. Insulation resistance: 5000MΩ/DC1000V
5. Withstanding voltage: AC2000V/1Min
6. Temp. Range: -40° C~+105° C
7. Undimensioned Tolerances:

Pitch range in mm		Nominal dimension range in mm						
to 6	over 6 to 10	over 10 to 24	over 24 to 30	over 30 to 90	over 90 to 200	over 200 to 480	∅	
±0.10	±0.15	±0.25	±0.1	±0.2	±0.3	±0.5	±0.7 ^{0.05/0}	



2	2EDGV Pin head(1.0X13.7)	1007B00030 (H)	XX	Brass	SnCe
1	HT508V Housing	1027A0YXXA (H)	1	PA66	UL94V-0
ITEM	NAME OF PART	NO. OF PART	Q"TY	MATERIAL	NOTES

DETACHED LISTS	MM (INCH)	DFTO Zhuwm	DATE 08/03/04	宁波高正电子有限公司 DEGSON ELECTRONICS CO., LTD
	TOLERANCES EXCEPT AS NOTED	CHKD	DATE	
		MFO	DATE	
		APPVL	DATE	
MM	±	MATERIAL :		NAME HT508V-5.08-XXP-1Y-00A(H)
.0 ±	±	G.E :		
.00 ±	±	FINISH :		DRAWING NO. HT508V-E01
.000 ±	±	SCALE : 1:1		/PART NO.
ANGLES ± 1°	THIRD ANGLE PROJECTION		DO NOT SCALE DRAWING	SIZE A3
			SHEET 1 OF 1	REV T2 10/30/07*