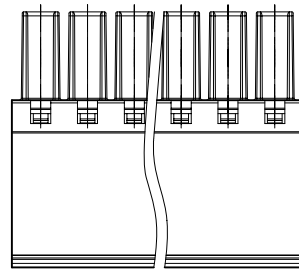
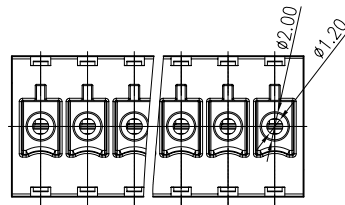
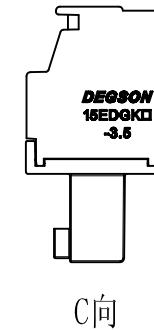
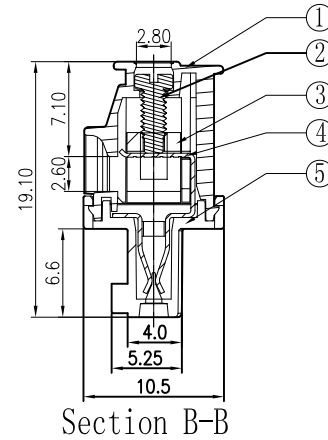
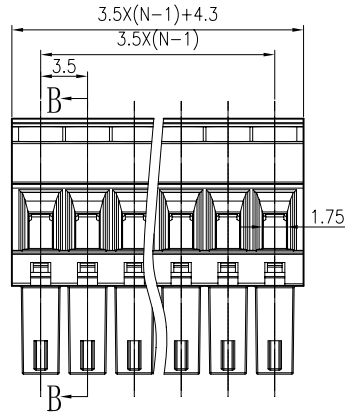
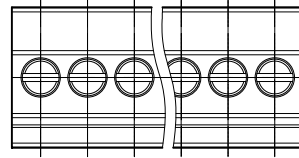
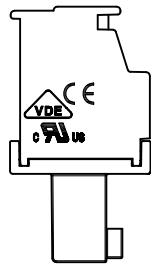


REVISION RECORD				
REV	ECO	DESCRIPTION	DRFT	DATE

Notes:

1. Pitch:3.5mm , Poles:2-24P
2. Rated voltage/current:UL 300V/8A
VDE 250V/7A
3. Operation temperatures:-40°C~+105°C
4. Withstanding Voltage:AC2000V/1Min
5. Insulation Resistance:5000MΩ/DC1000V
6. Wire Range:28~16AWG, 0.5-1.5mm²
7. Max. Torque Value:M2, 2.04kgf.cm (1.77Lb.in)
8. Undimensioned Tolerances:

Pitch range in mm		Nominal dimension range in mm					—
to 6	over 6 to 10	over 10 to 24	to 30	over 30 to 60	over 60 to 100	over 100 to 150	∩
±0.10	±0.15	±0.25	±0.2	±0.3	±0.5	±0.7	±1
							0.05/10



5	15EDGKA/B-3.5-100A-Cover	1033COYXXE (H)	1	PA66	UL94V-0
4	15EDGKA/B-100A-Clamp	1033B00020 (H)	XX	Phosphor bronze	SnCe
3	15EDGK Cage	X00000010 (H)	XX	Brass	Ni Plated
2	15EDG Screw-M2.0	S000001360 (H)	XX	Steel	Cr ³⁺ Zn
1	15EDGKA/B-3.5-100A-Housing	1033A0YXXE (H)	1	PA66	UL94V-0
ITEM	NAME OF PART	NO. OF PART	Q"TY	MATERIAL	NOTES

MM (INCH)		DFTO Apple	DATE 04/11/09*	DEGSON® 宁波高正电子有限公司 DEGSON ELECTRONICS CO., LTD	
TOLERANCES EXCEPT AS NOTED		CHKD	DATE	NAME 15EDGKA-3.5-XXP-1Y-100A (H)	
		MFO	DATE		
		APPVL	DATE		
MATERIAL :		G.E :		DRAWING NO. 15EDGKA-3.5-E100	
ANGLES ± 1'		FINISH :		/PART NO.	
THIRD ANGLE PROJECTION		SCALE : 1:1		DO NOT SCALE DRAWING	
				SHEET 1	OF 1