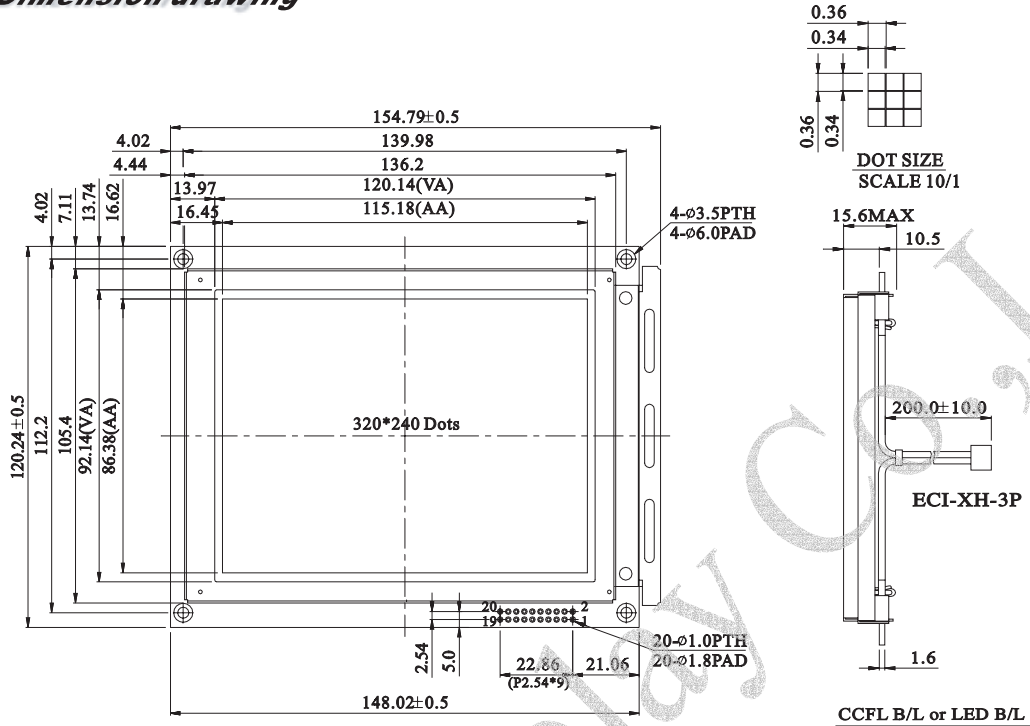




**WG320240C0** Graphic 320x240dots

**Dimension drawing**



Graphic type

**Feature**

1. Built-in RA8835 controller and SRAM
2. Built-in Negative Voltage generator
3. 1/240 duty cycle
4. Touch screen option (analog type)
5. Temperature compensation option

**Mechanical Data**

Item	Standard Value	Uni
Module Dimension	148.02x120.24	mm
Viewing Area	120.14x92.14	mm
Dot Size	0.34x0.34	mm
Dot Pitch	0.36x0.36	mm
Mounting hole	139.98 x 116.61	mm

Pin NO.	Symbol	Function
1	Vss	Ground
2	Vdd	Power supply for Logic
3	Vo	Driving voltage for LCD
4	RD	8080 family: Read signal, 6800 family: Enable clock
5	WR	8080 family: Write signal, 6800 family: R/W signal
6	Ao	Data type select RD=L:WR=H, AO=L: Data Read AO=H:Status read RD=H:WR=L, AO=L: Data Write AO=H:Command write For80 Family R/W=L, A0=H: Command Write A0=L:Data Write R/W=H, A0=H: Status Read AO=L:Data Read For68 Family
7	DB0	Data bus line
8	DB1	Data bus line
9	DB2	Data bus line
10	DB3	Data bus line
11	DB4	Data bus line
12	DB5	Data bus line
13	DB6	Data bus line
14	DB7	Data bus line
15	CS	Chip select, Active L
16	RES	Controller reset signal Active L
17	Vee	Negative Voltage output (Optional)
18	FGND	Frame Ground
19	NC	No connection
20	NC	No connection

**Absolute Maximum Rating**

Item	Symbol	Standard Value			Uni
		min.	typ.	max.	
Power Supply	VDD-VSS	4.75	5.0	5.25	V
Input Voltage	VI	-0.3	---	VDD	V

Note : VSS=0 Volt, VDD=5.0 Volt.

**Electronical Characteristics**

Item	Symbol	Condition	Standard Value			Un
			min.	typ.	max.	
Input Voltage	VDD	L level	0.7VDD	---	VDD	V
	VIO	H level	0	---	0.3VDD	V
Supply Current	IDD	VDD=5V	---	100	105	mA
Recommended LC Driving Voltage for Normal Temp. Version module	VDD-V0	-20°C	---	---	26.1	V
		25°C	---	---	23.8	
		70°C	20.9	---	---	
CCFL Starting Voltage	VFLS	25°C	---	600	---	V <sub>rm</sub>
CCFL Driving Voltage	VFLD	25°C	---	268	---	V <sub>rm</sub>
CCFL Driving Current	IFLD	VFQ=450V <sub>rms</sub> 30KHZ	---	5.0	---	mArm
LED Forward Voltage	VF	25°C	---	4.2	4.6	V
LED Forward Current	IF	25°C	---	180	360	mA
EL	IEL	Vel=110VAC;400Hz	---	---	5.0	mA