

# 规格承认书

## SPECIFICATION FOR APPROVAL

客 户

RoHS

CUSTOMER:

客户料号

CUST' S PART NO:

CW68

品 名

DESCRIPTION:

LGB-X0608 型系列

号 码

日 期

NO.:

DATE:

2011-3-15

	“√”	客户签章 CUSTOMER' S SIGNATURE	备 注 NOTE
承 认 FULL APPROVED			
部分承认 CONDITIONAL APPROVED			
驳 回 REJECTED			

SPECIFICATION FOR APPROVAL

规格承认书

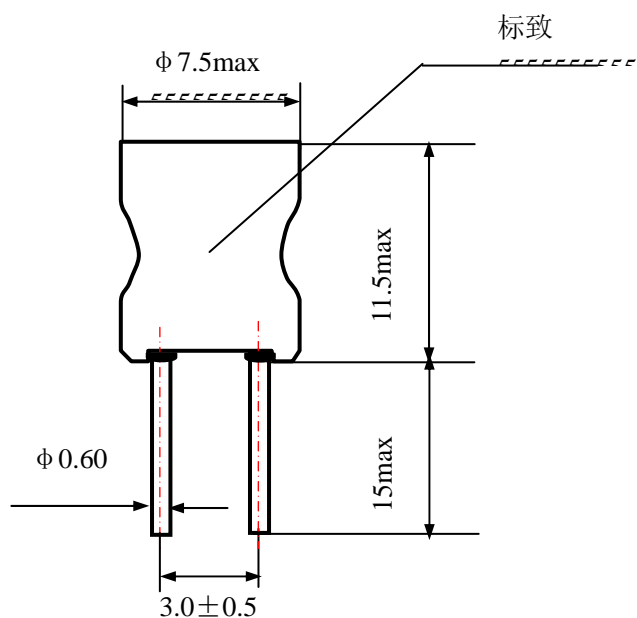
OUR PT/NO.

工厂型号: LGB-X0608 型系列

CUST PT/NO.

用户零件号: CW68

1. DIMENSION 外型尺寸 (mm)



## SPECIFICATION FOR APPROVAL

## 规格承认书

## 2. ELECTRICAL PROPERTIES 电性能 (HP4342A)

型号 OUR PT/NO	客户料号 CUSTSPART NO	电感量 ( $\mu$ H)	At (MHz)	Q REF	R <sub>DC</sub> ( $\Omega$ ) REF	I <sub>DC</sub> (A)REF
LGB-X0608-1R0M	CW68-1R0M	1.0 $\pm$ 20%	7.96	15	8.6m	6.2
LGB-X0608-1R2M	CW68-1R2M	1.2 $\pm$ 20%	7.96	15	10m	5.2
LGB-X0608-1R5M	CW68-1R5M	1.5 $\pm$ 20%	7.96	15	13.2m	4.8
LGB-X0608-2R2M	CW68-2R2M	2.0 $\pm$ 20%	7.96	15	14.7m	4.1
LGB-X0608-2R7M	CW68-2R7M	2.7 $\pm$ 20%	7.96	15	16.5m	3.8
LGB-X0608-3R3M	CW68-3R3M	3.3 $\pm$ 20%	7.96	15	18.5m	3.5
LGB-X0608-3R9M	CW68-3R9M	3.9 $\pm$ 20%	7.96	15	20m	3.2
LGB-X0608-4R7M	CW68-4R7M	4.7 $\pm$ 20%	7.96	15	21.7m	2.9
LGB-X0608-5R6M	CW68-5R6M	5.6 $\pm$ 20%	7.96	15	25m	2.5
LGB-X0608-6R8M	CW68-6R8M	6.8 $\pm$ 20%	7.96	15	32.2m	2.3
LGB-X0608-8R2M	CW68-8R2M	8.2 $\pm$ 20%	7.96	15	37.7m	2.1
LGB-X0608-100K	CW68-100K	10 $\pm$ 10%	2.52	50	40.7m	2.0
LGB-X0608-120K	CW68-120K	12 $\pm$ 10%	2.52	50	46m	1.7
LGB-X0608-150K	CW68-150K	15 $\pm$ 10%	2.52	50	53m	1.6
LGB-X0608-180K	CW68-180K	18 $\pm$ 10%	2.52	40	58.2m	1.4
LGB-X0608-220K	CW68-220K	22 $\pm$ 10%	2.52	40	66.7m	1.3
LGB-X0608-270K	CW68-270K	27 $\pm$ 10%	2.52	40	77m	1.2
LGB-X0608-330K	CW68-330K	33 $\pm$ 10%	2.52	40	0.1	1.0
LGB-X0608-390K	CW68-390K	39 $\pm$ 10%	2.52	35	0.11	0.96
LGB-X0608-470K	CW68-470K	47 $\pm$ 10%	2.52	35	0.14	0.88
LGB-X0608-560K	CW68-560K	56 $\pm$ 10%	2.52	35	0.16	0.80
LGB-X0608-680K	CW68-680K	68 $\pm$ 10%	2.52	30	0.2	0.77
LGB-X0608-820K	CW68-820K	82 $\pm$ 10%	2.52	30	0.23	0.70
LGB-X0608-101K	CW68-101K	100 $\pm$ 10%	0.796	20	0.26	0.64
LGB-X0608-121K	CW68-121K	120 $\pm$ 10%	0.796	20	0.3	0.58

## SPECIFICATION FOR APPROVAL

## 规格承认书

## 2. ELECTRICAL PROPERTIES 电性能 (HP4342A)

型号 OUR PT/NO	客户料号 CUSTSPART NO	电感量 ( $\mu$ H)	At MHZ	Q REF	R <sub>DC</sub> ( $\Omega$ ) REF	I <sub>DC</sub> (A)REF
LGB-X0608-151K	CW68-151K	150 $\pm$ 10%	0.796	20	0.38	0.53
LGB-X0608-181K	CW68-181K	180 $\pm$ 10%	0.796	20	0.48	0.48
LGB-X0608-221K	CW68-221K	220 $\pm$ 10%	0.796	20	0.60	0.43
LGB-X0608-271K	CW68-271K	270 $\pm$ 10%	0.796	25	0.76	0.39
LGB-X0608-331K	CW68-331K	330 $\pm$ 10%	0.796	25	0.88	0.35
LGB-X0608-391K	CW68-391K	390 $\pm$ 10%	0.796	20	1.1	0.33
LGB-X0608-471K	CW68-471K	470 $\pm$ 10%	0.796	20	1.2	0.30
LGB-X0608-561K	CW68-561K	560 $\pm$ 10%	0.796	20	1.4	0.27
LGB-X0608-681K	CW68-681K	680 $\pm$ 10%	0.796	20	1.8	0.24
LGB-X0608-821K	CW68-821K	820 $\pm$ 10%	0.796	20	2.0	0.22
LGB-X0608-102K	CW68-102K	1000 $\pm$ 10%	0.252	55	2.52	0.20
LGB-X0608-122K	CW68-122K	1200 $\pm$ 10%	0.252	65	3.0	0.18
LGB-X0608-152K	CW68-152K	1500 $\pm$ 10%	0.252	60	3.1	0.17
LGB-X0608-182K	CW68-182K	1800 $\pm$ 10%	0.252	65	4.5	0.15
LGB-X0608-222K	CW68-222K	2200 $\pm$ 10%	0.252	60	6.0	0.14
LGB-X0608-272K	CW68-272K	2700 $\pm$ 10%	0.252	65	6.5	0.12
LGB-X0608-332K	CW68-332K	3300 $\pm$ 10%	0.252	70	8.4	0.11
LGB-X0608-392K	CW68-392K	3900 $\pm$ 10%	0.252	90	11.0	0.10
LGB-X0608-472K	CW68-472K	4700 $\pm$ 10%	0.252	80	13.0	95m
LGB-X0608-562K	CW68-562K	5600 $\pm$ 10%	0.252	80	15.0	80m
LGB-X0608-682K	CW68-682K	6800 $\pm$ 10%	0.252	80	17.0	75m
LGB-X0608-822K	CW68-822K	8200 $\pm$ 10%	0.252	85	23.0	65m
LGB-X0608-103K	CW68-103K	10000 $\pm$ 10%	79.6	85	30.0	60m
LGB-X0608-123K	CW68-123K	12000 $\pm$ 10%	79.6	85	33.0	55m
LGB-X0608-153K	CW68-153K	15000 $\pm$ 10%	79.6	85	39.0	50m
LGB-X0608-183K	CW68-183K	18000 $\pm$ 10%	79.6	85	53.0	45m

