



### Magnetic Transducer EMX-11T01PB



Rev.2



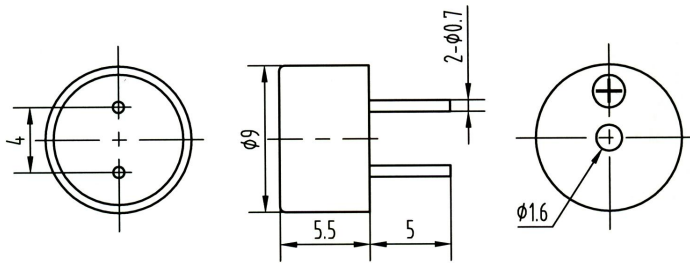
#### FEATURES:

- Low Frequency
- Small Size and Compact
- Rich Sound

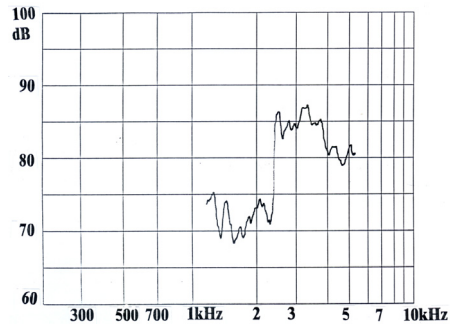
#### APPLICATIONS:

- Automatic Control Equipment
- Communication Equipment
- Electronic Instruments

#### DIMENSIONS: (Unit: mm)



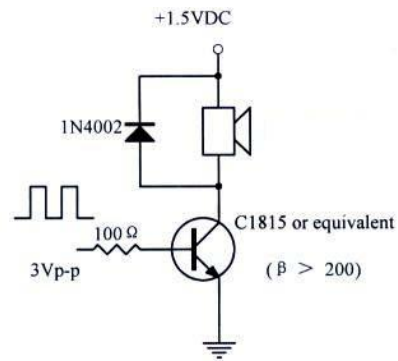
#### CHARACTERISTICS:



#### ELECTRICAL SPECIFICATIONS:

Min. Sound Pressure Level at	
1.5V/3100Hz/10cm.....	80dB(A)
Rated Voltage.....	1.5V
Operating Voltage.....	1~2V
Max Consumption at	
3100Hz/3Vp-p Square Wave.....	80mA/1.5V <sub>DC</sub>
Resonant Frequency .....	3100Hz
D.C Resistance.....	5.5±1Ω
Operating Temperature.....	-25~+55°C
Storage Temperature.....	-35~+85°C
Weight .....	1g

#### TEST CIRCUITS:



#### PACKING INFORMATION:

Packing: 3000 pcs per export carton  
 Carton Size: 47×25 ×28 cm  
 G. Weight: 4.5 kgs N. Weight: 3.0 kgs  
 Address: Multitrack GmbH, Pfaffenrain 22, 35606 Solms, Germany  
 Tel: +49-6442-9220950, Fax: +49-3212-1258768

