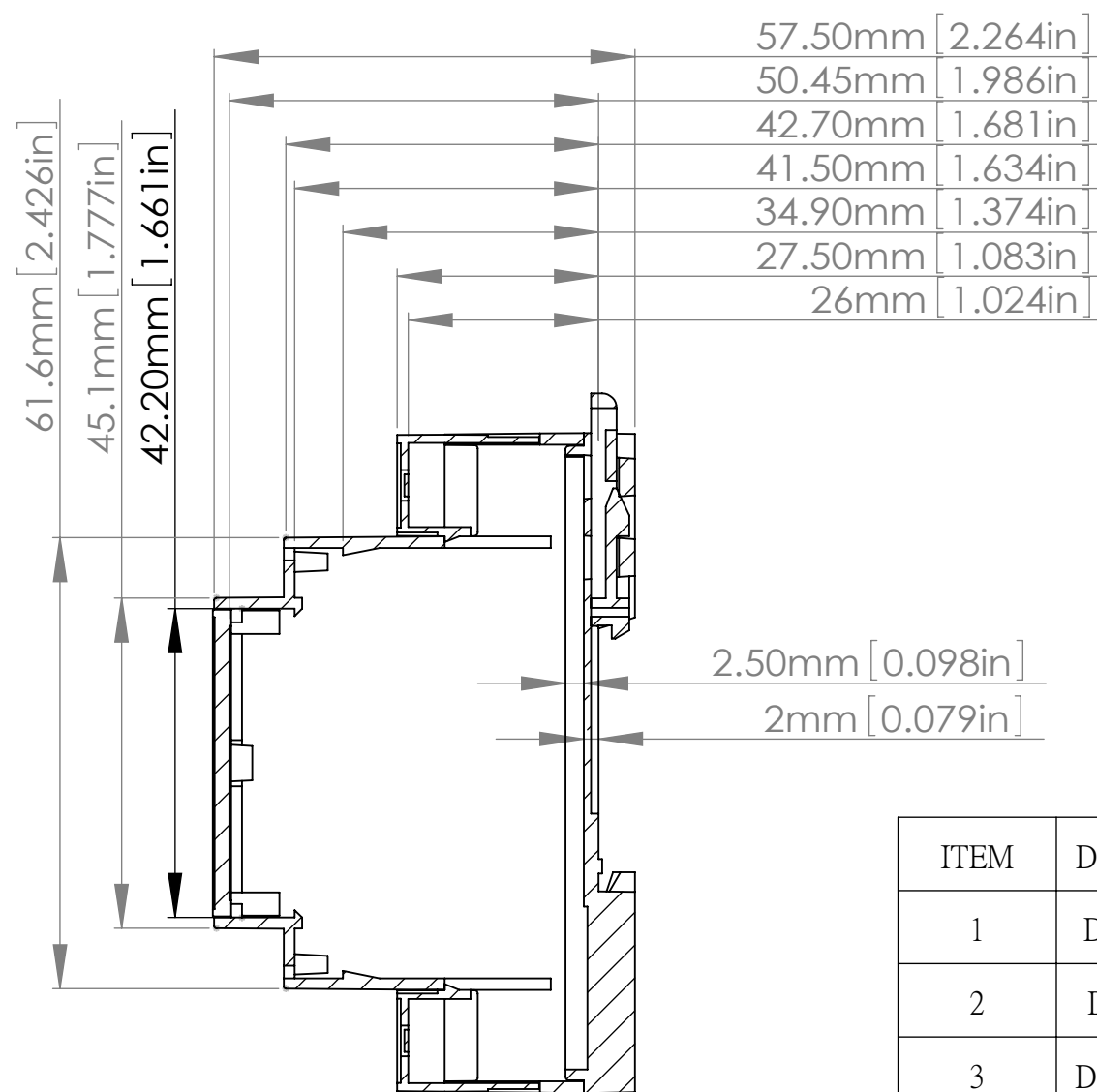
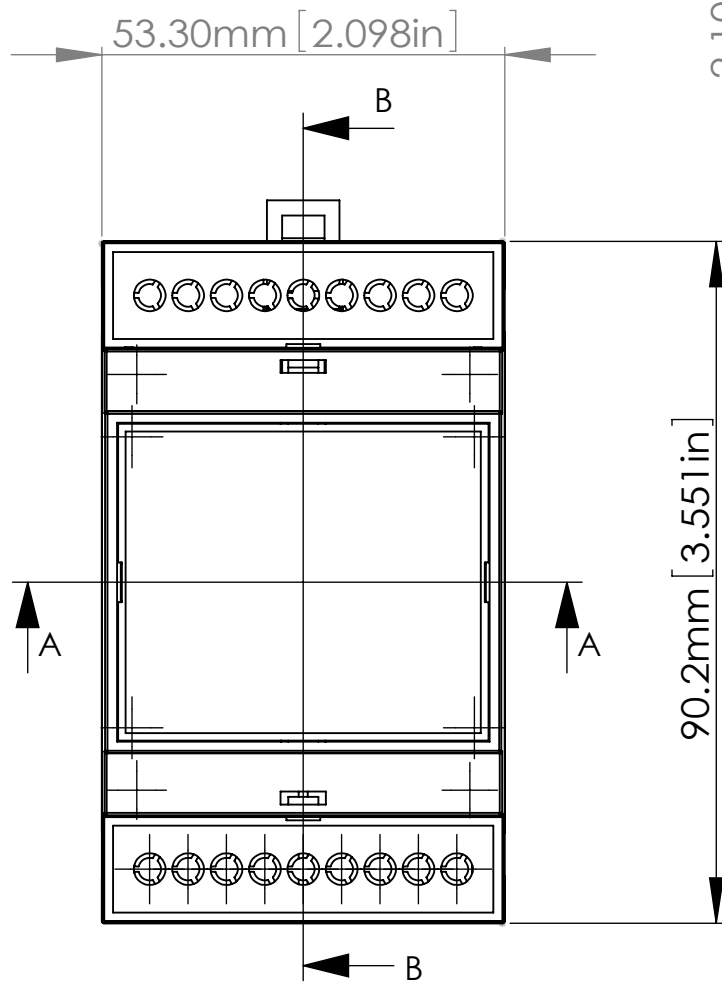


SECTION A-A
SCALE 1 : 1

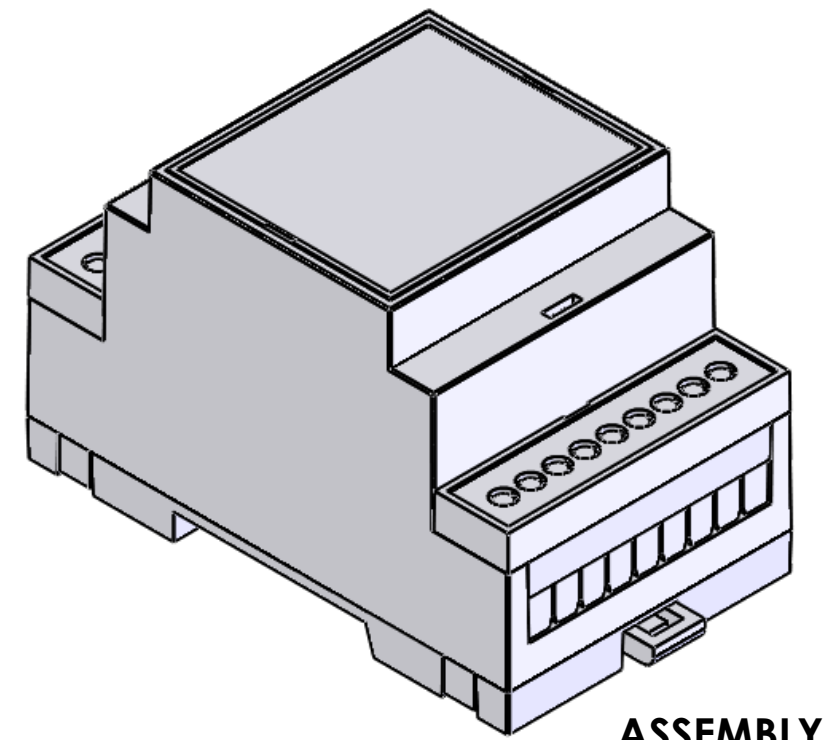
2.10mm [0.083in]
2.10mm [0.083in]
6.60mm [0.260in]
46.70mm [1.839in]



SECTION B-B
SCALE 1 : 1

57.50mm [2.264in]
50.45mm [1.986in]
42.70mm [1.681in]
41.50mm [1.634in]
34.90mm [1.374in]
27.50mm [1.083in]
26mm [1.024in]

2.50mm [0.098in]
2mm [0.079in]



ASSEMBLY

ITEM	DESCRIPTION	MATERIAL	COLOUR	UNIT
1	D3MG-BODY	PC/ABS(UL94-V0)	GREY	1
2	D3MG-BASE	PC/ABS(UL94-V0)	GREY	1
3	D3MG-COVER	PC/ABS(UL94-V0)	GREY	1
4	D3MG-GUARD	PC/ABS(UL94-V0)	GREY	2
5	D3MG-WALL CLIP	NYLON66(UL94-V0)	DARK GREY	1

宣又實業有限公司
GAINTA INDUSTRIES LTD.

繪圖 DRA'D BY
JACKY

日期 DATE
2010/4/15

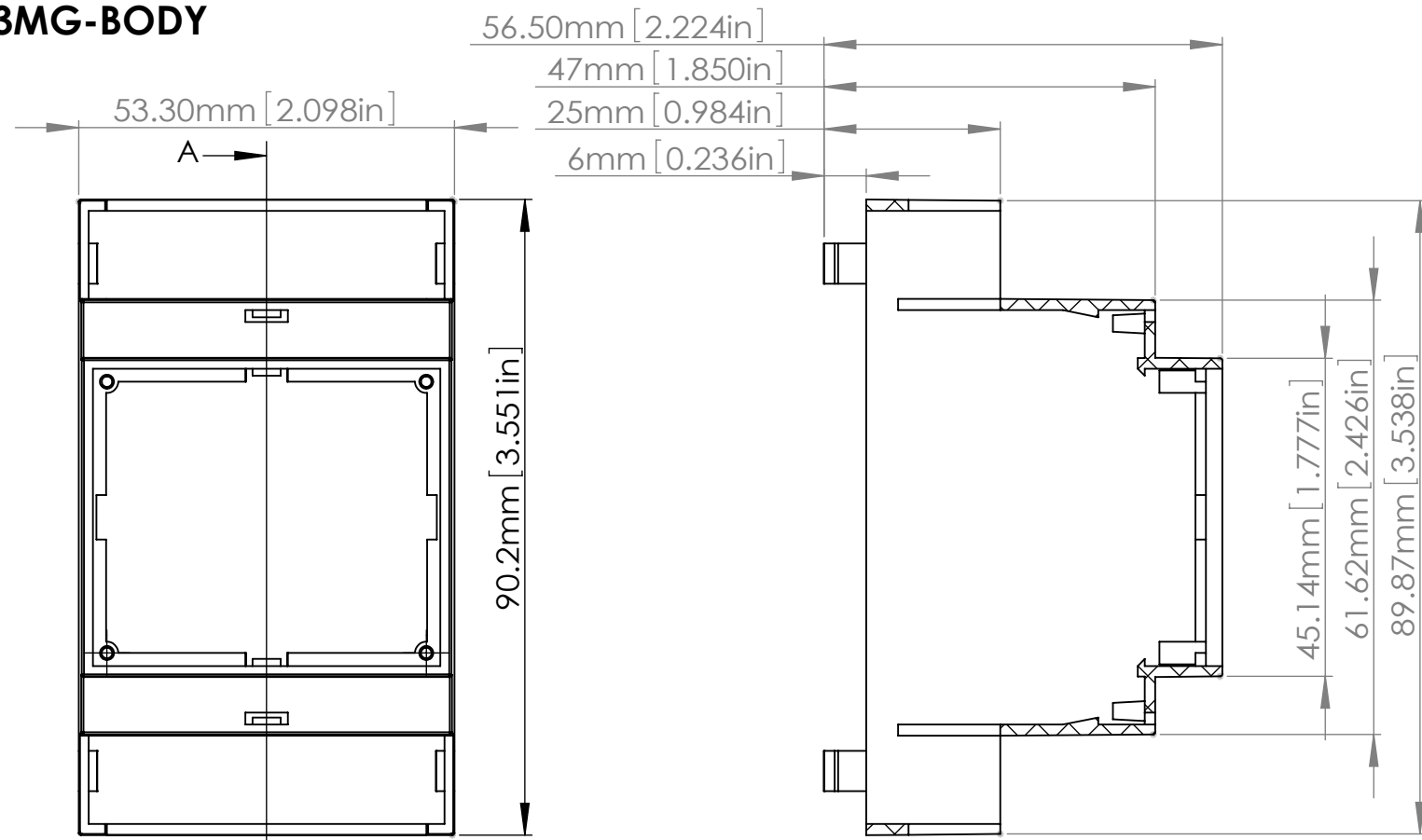
材質 MATE.
PC/ABS(UL94-V0);
NYLON66(UL94-V0)

圖名TITLE:
D3MG-ASSEMBLY

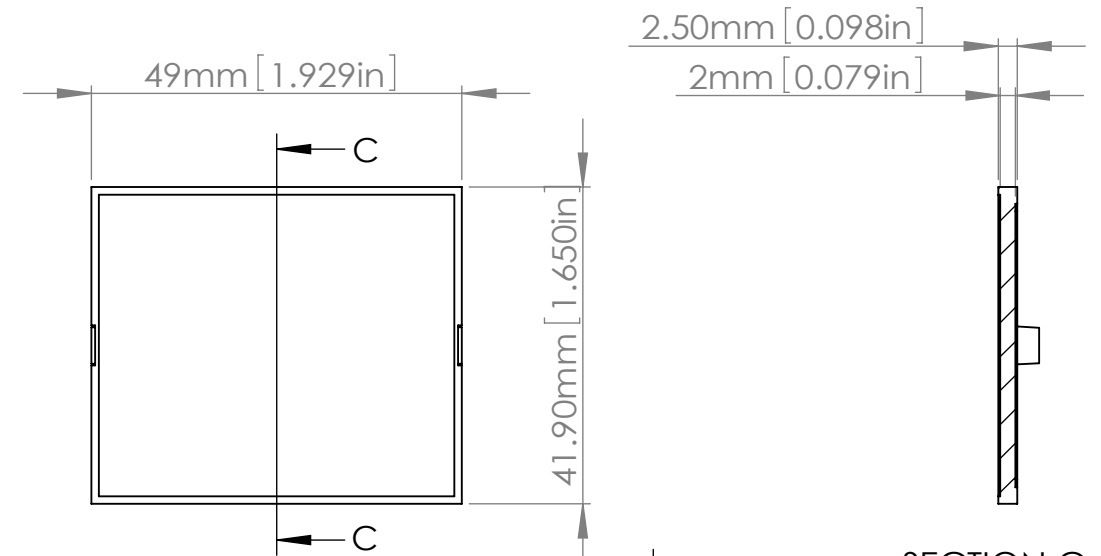
圖號DWG NO:

版次REVISID:
A

D3MG-BODY

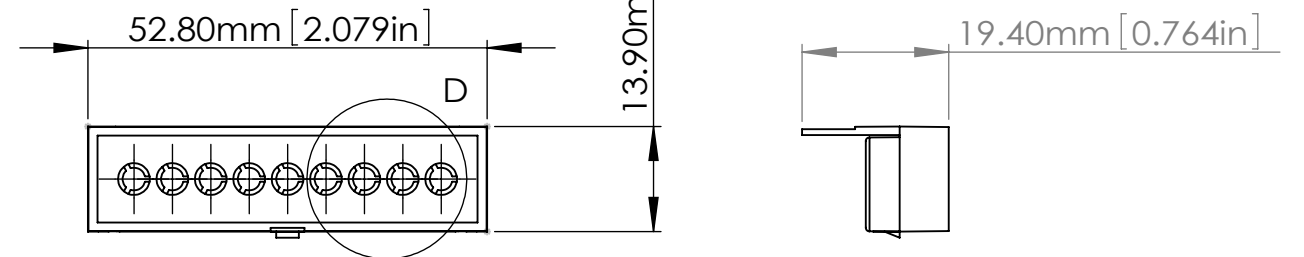


D3MG-COVER



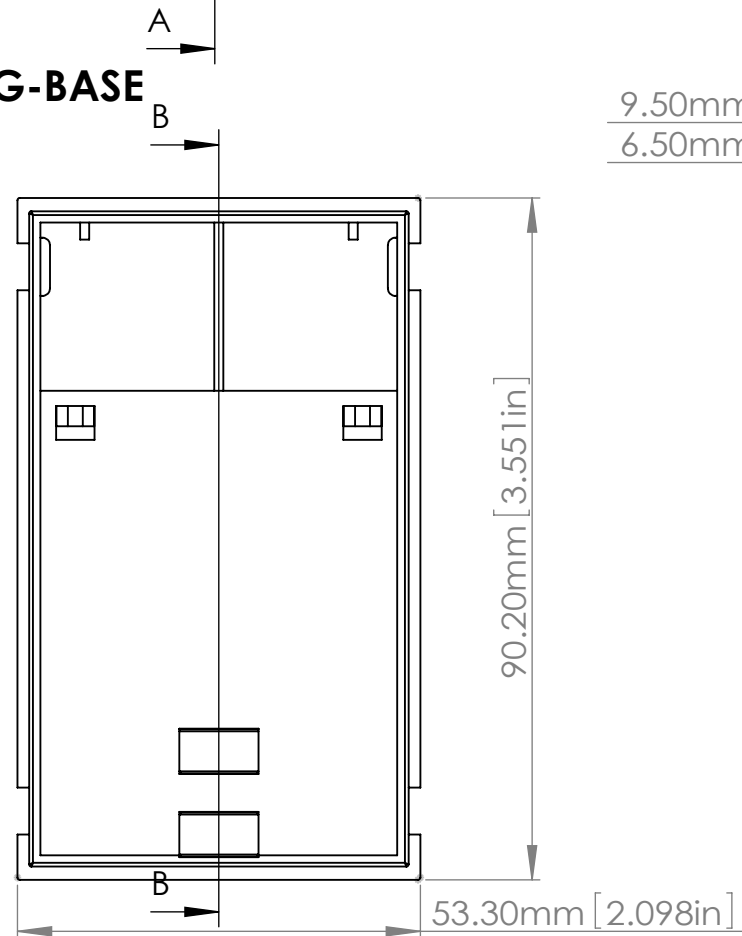
SECTION C-C
SCALE 1:1

D3MG-GUARD

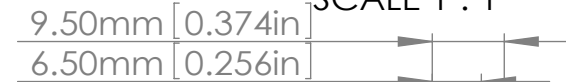


SECTION D
SCALE 1:1

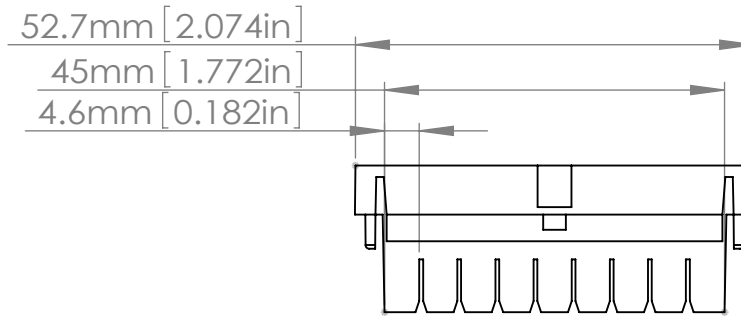
D3MG-BASE



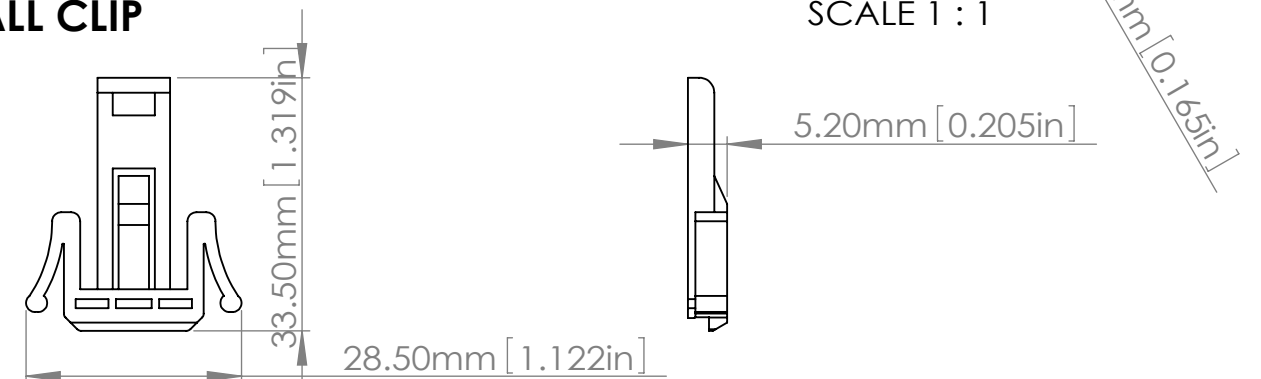
SECTION A-A
SCALE 1:1



SECTION B-B
SCALE 1:1



D3MG-WALL CLIP



宣又實業有限公司
GAINTA INDUSTRIES LTD.

繪圖

DRA'D BY

JACKY

日期

2010/4/13

DATE

材質

MATE.

PC/ABS(UL94-V0);
NYLON66(UL94-V0)

圖名TITLE:

D3MG-PART

圖號DWG NO:

版次REVISID:

A