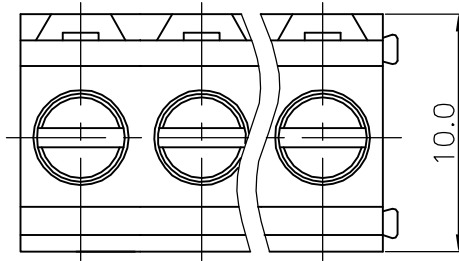


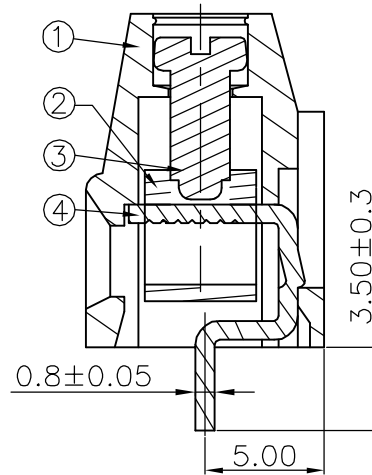
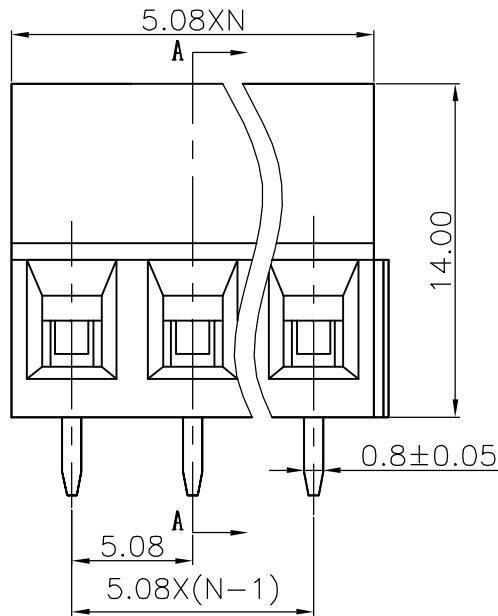
REVISION RECORD				
REV	ECN	DESCRIPTION	DRFT	DATE
△		Drawing Revise	Haoyh	03/31/06
△		??VDE?CE??	LJH	11/14/07*
△	10-0245	UL电流由10A变更为15A	Lasting	08/02/10*



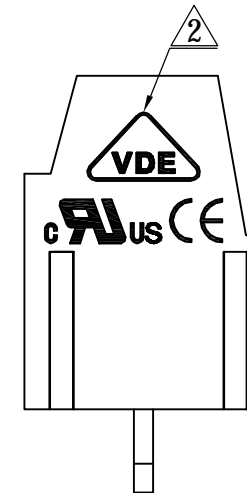
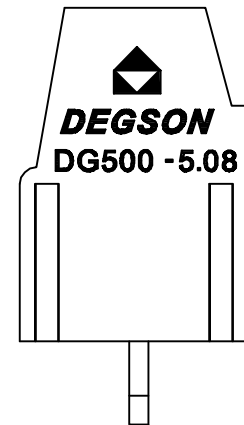
Notes:

1. Pitch:5.08mm
2. Rated voltage/current:UL 300V/15A △
VDE 250V/18A
3. Operation temperatures:-40° C~+105° C
4. Insulation Withstand Voltage:AC2000V/1Min
5. Insulation Resistance:5000MΩ/DC1000V
6. Wire Range:24-12AWG 2.5mm²
7. Max. Torque Value: 4.08kgf.cm
8. Undimensioned Tolerances:

Pitch range in mm			Nominal dimension range in mm				
to	over	to	to	over	over	over	
6	6 to 10	10 to 24	30	30 to 60	60 to 100	100 to 150	∩
6							∇
±0.10	±0.15	±0.25	±0.2	±0.3	±0.5	±0.7	±1.0
							0.05/10



SECTION A-A



4	DG128-Pin header	4027B00010(H)XX	Barss	SnCe
3	DG128"-Screws	S000001460(H)XX	Steel	Cr ³⁺ Zn
2	DG128 Brass Cage	X000000020(H)XX	Brass	Ni plated

ITEM	NAME OF PART	NO. OF PART	Q'TY	MATERIAL	NOTES
1	DG500-5.08 Housing	4036A0YXXA (H)	1	PA66	UL94V-0

← MM (INCH) →	DFTO HW	DATE 09/23/05*
TOLERANCES EXCEPT AS NOTED	CHKD	DATE
	MFO	DATE
	APPVL	DATE
MM		
.0 ±	±	
.00 ±	±	
.000 ±	±	
ANGLES ± 1°	G.E :	
THIRD ANGLE PROJECTION	FINISH :	
	SCALE : 1;1	

宁波高正电子有限公司 DEGSON ELECTRONICS CO., LTD	
NAME	
DG500-5.08-XXP-1Y-00A(H)	
DRAWING NO. DG500-5.08-E02	SIZE A3
/PART NO.	REV T3 08/02/10*
DO NOT SCALE DRAWING	SHEET 1 OF 1