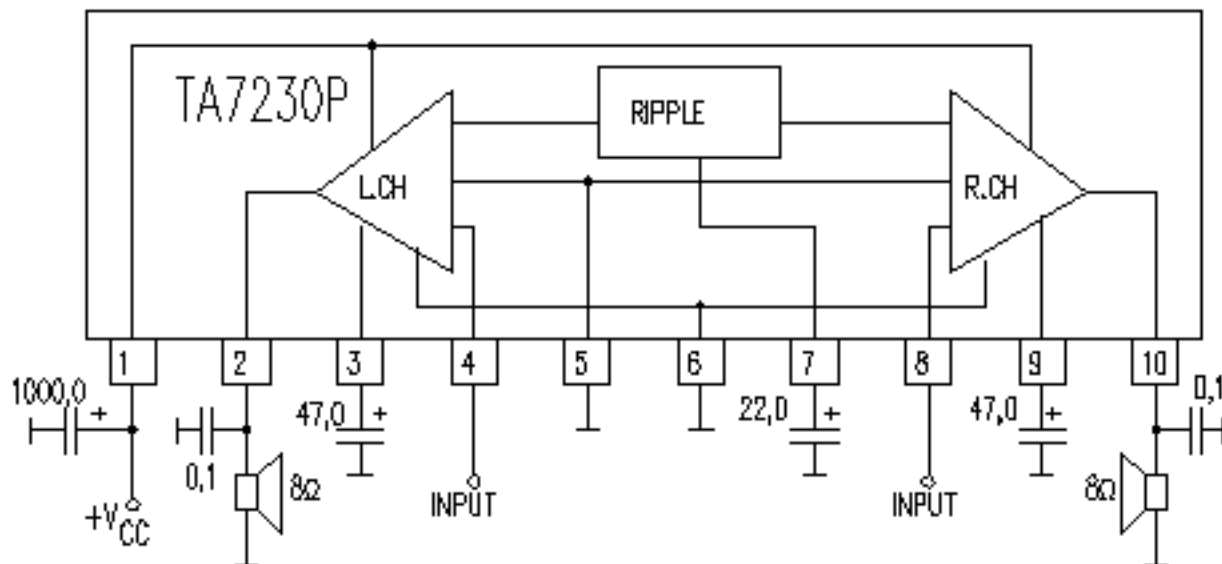


# TA7230P

POWER AMPLIFIER  
2x2,4W



$V_{CC\ MAX} = 24V$   
 $V_{CC\ TYP} = 14V$   
 $V_{CC\ RNG} = 5,5...20V$

$P_o = 2x2,4W$   
 $R_L = 8\ \Omega$   
 $TDH = 10\%$

$I_{CC0\ TYP} = 27mA$   
 $I_{CC0\ MAX} = 65mA$   
 $I_{MAX} = 1,5A$

$R_{IN} = 33k$   
 $Gain = 48dB$   
 $Noise = 3mkV$

$R_{THJ-C} = -$   
Case SIL-10