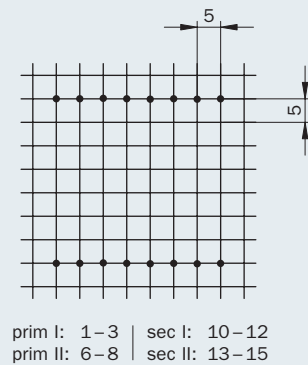
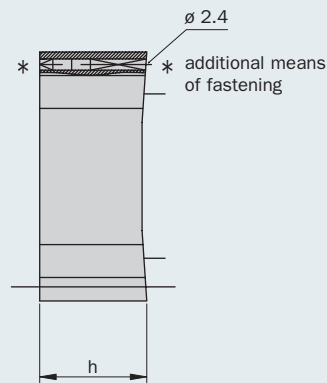
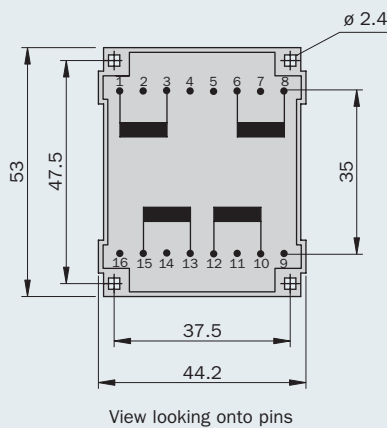




- Capacity up to 16.0 VA
- Temperature class ta 70 °C/B, but not short-circuit-proof
- Test certifications to ENEC 05-, KEMA KEUR-, CSA- and UL-regulations
- Vacuum encapsulated, bobbin type with dual chamber windings
- Excellent temperature fluctuation resistance properties
- High electrical safety and long service-life features
- High voltage resistance
- Self-extinguishing cast housing and sealing material
- Item quality certification

Secondary protection by means of external PTC resistances.

Parallel to the cataloged UI 30 series transformers, HAHN also produces other variants, e.g. with integrated thermo fuse or thermo switch.



Dimensions without tolerances ± 0.3 mm, Soldering pin 0.6x0.8 or ø0.8, Rights to make alterations and improvements hereby reserved

Frame size/Core height	Output ta 70 °C/B	Size (h)	Weight	Packaging unit
BV UI 301 / 5.5 mm	3.0 VA	17.8 mm	0.130 kg	18/24 pieces*
BV UI 302 / 7.5 mm	4.0 VA	19.8 mm	0.150 kg	18/24 pieces*
BV UI 303 /10.5 mm	6.0 VA	22.8 mm	0.180 kg	18/24 pieces*
BV UI 304 /16.5 mm	10.0 VA	28.8 mm	0.260 kg	15/18 pieces*
BV UI 305 /26.0 mm	16.0 VA	37.6 mm	0.370 kg	15/18 pieces*

* it depends on kind of packaging

- Capacity: 3/4/6/10/16 VA
- ta 70 °C/B as per VDE 0570/ EN 61558 regulations/standards
- Circuit for 115 V
Bridge: 1 to 6 and 3 to 8
- Circuit for 230 V
Bridge: 3 to 6
- Secondary double voltage
Bridge: 12 to 13
- Secondary double current
Bridge: 10 to 13 and 12 to 15
- Test voltage: 6000 V

Order No.	Total output VA	Frame Size	Primary voltage V	Connecting pins prim.	Secondary voltage V	Current sec. mA	Connecting pins sec.	No-load voltage V
BV UI 301 0167	3.0	1	2 x 115	1-3/6-8	2 x 6	250	10-12/13-15	2 x 7.9
BV UI 301 0168	3.0	1	2 x 115	1-3/6-8	2 x 9	167	10-12/13-15	2 x 14.0
BV UI 301 0133	3.0	1	2 x 115	1-3/6-8	2 x 12	126	10-12/13-15	2 x 18.5
BV UI 301 0166	3.0	1	2 x 115	1-3/6-8	2 x 15	100	10-12/13-15	2 x 22.8

Frame size/Core height	Output ta 70 °C/B	Size (h)	Weight	Packaging unit
BV UI 302 / 7.5 mm	4.0 VA	19.8 mm	0.150 kg	18/24 pieces*

Order No.	Total output VA	Frame Size	Primary voltage V	Connecting pins prim.	Secondary voltage V	Current sec. mA	Connecting pins sec.	No-load voltage V
BV UI 302 0164	4.0	2	2 x 115	1-3/6-8	2 x 6	333	10-12/13-15	2 x 9.5
BV UI 302 0161	4.0	2	2 x 115	1-3/6-8	2 x 9	222	10-12/13-15	2 x 13.5
BV UI 302 0144	4.0	2	2 x 115	1-3/6-8	2 x 12	166	10-12/13-15	2 x 20.1
BV UI 302 0165	4.0	2	2 x 115	1-3/6-8	2 x 15	133	10-12/13-15	2 x 24.9

Frame size/Core height	Output ta 70 °C/B	Size (h)	Weight	Packaging unit
BV UI 303 / 10.5 mm	6.0 VA	22.8 mm	0.180 kg	18/24 pieces*

Order No.	Total output VA	Frame Size	Primary voltage V	Connecting pins prim.	Secondary voltage V	Current sec. mA	Connecting pins sec.	No-load voltage V
BV UI 303 0162	6.0	3	2 x 115	1-3/6-8	2 x 6	500	10-12/13-15	2 x 9.0
BV UI 303 0158	6.0	3	2 x 115	1-3/6-8	2 x 9	334	10-12/13-15	2 x 12.8
BV UI 303 0145	6.0	3	2 x 115	1-3/6-8	2 x 12	250	10-12/13-15	2 x 17.2
BV UI 303 0163	6.0	3	2 x 115	1-3/6-8	2 x 15	200	10-12/13-15	2 x 21.8

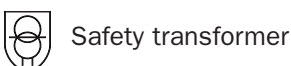
Frame size/Core height	Output ta 70 °C/B	Size (h)	Weight	Packaging unit
BV UI 304 / 16.5 mm	10.0 VA	28.8 mm	0.260 kg	15/18 pieces*

Order No.	Total output VA	Frame Size	Primary voltage V	Connecting pins prim.	Secondary voltage V	Current sec. mA	Connecting pins sec.	No-load voltage V
BV UI 304 0155	10.0	4	2 x 115	1-3/6-8	2 x 6	833	10-12/13-15	2 x 8.7
BV UI 304 0129	10.0	4	2 x 115	1-3/6-8	2 x 7.5	667	10-12/13-15	2 x 10.0
BV UI 304 0153	10.0	4	2 x 115	1-3/6-8	2 x 9	555	10-12/13-15	2 x 12.4
BV UI 304 0154	10.0	4	2 x 115	1-3/6-8	2 x 12	416	10-12/13-15	2 x 16.0
BV UI 304 0136	10.0	4	2 x 115	1-3/6-8	2 x 15	333	10-12/13-15	2 x 19.7
BV UI 304 0159	10.0	4	2 x 115	1-3/6-8	2 x 18	277	10-12/13-15	2 x 23.3

Frame size/Core height	Output ta 70 °C/B	Size (h)	Weight	Packaging unit
BV UI 305 / 26.0 mm	16.0 VA	37.6 mm	0.370 kg	15/18 pieces*

Order No.	Total output VA	Frame Size	Primary voltage V	Connecting pins prim.	Secondary voltage V	Current sec. mA	Connecting pins sec.	No-load voltage V
BV UI 305 0147	16.0	5	2 x 115	1-3/6-8	2 x 6	1330	10-12/13-15	2 x 7.5
BV UI 305 0148	16.0	5	2 x 115	1-3/6-8	2 x 9	888	10-12/13-15	2 x 10.9
BV UI 305 0149	16.0	5	2 x 115	1-3/6-8	2 x 12	666	10-12/13-15	2 x 14.6
BV UI 305 0150	16.0	5	2 x 115	1-3/6-8	2 x 15	533	10-12/13-15	2 x 18.0
BV UI 305 0151	16.0	5	2 x 115	1-3/6-8	2 x 18	444	10-12/13-15	2 x 21.5
BV UI 305 0152	16.0	5	2 x 115	1-3/6-8	2 x 21	380	10-12/13-15	2 x 25.0

* it depends on kind of packaging



All these types are held on stock